

MPC 14 BLOOD DONATION CHAIR 4 MOTORS

MPC 14



USER MANUAL and TECHNICAL SPECIFICATIONS

MPC 14 BLOOD DONATION CHAIR 4 MOTORS

CONTENTS

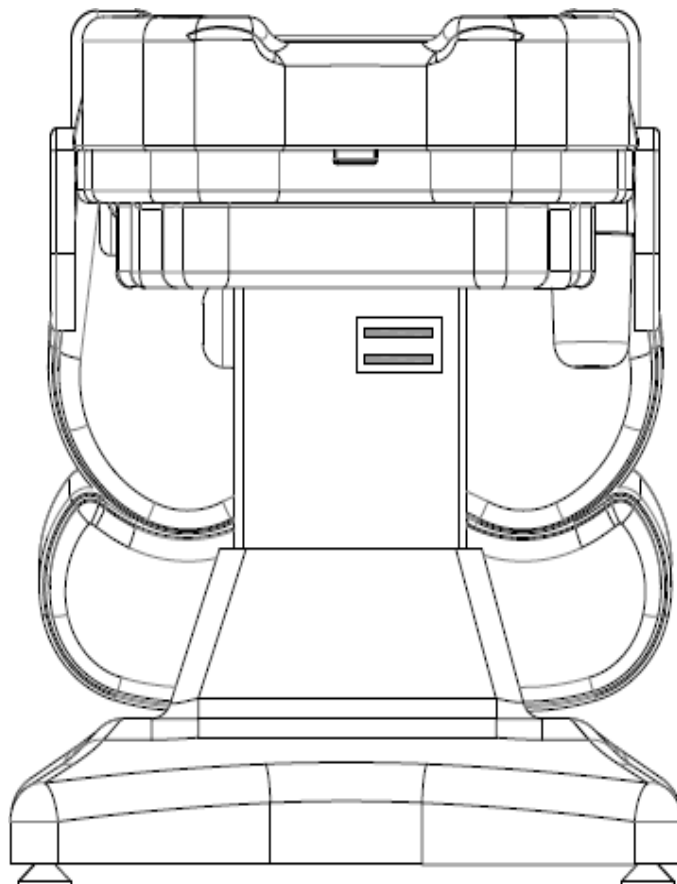
Owner's Product Identification	2
IMPORTANT INFORMATION	3
Scope and Purpose of This Manual	3
Intended Use of Product	3
Safety Instructions	3
Transportation and Storage Conditions	3
Explanation of Safety Symbols and Notes	4
INSTALLATION	5
Unpacking	5
Mounting Accessories	6
To Install the Head Rest	6
To Install the Arm Rest	7
To Install the Waist Support	7
DESCRIPTION	8
Introduction	8
Features	8
POWER	8
Electrical in Requirements	8
OVERVIEW ACCOSSORIES	9
Description of the Accessory	9
INDICATORS & CONTROLS	10
Power Features	10
Hand Set	10
Head Rest Positioning	11
Arm Rest Positioning	11
Back Section Positioning	12
Height Positioning	13
Trendelenburg Positioning	14
Leg Section Positioning	15
Patient Positioning	16
Wheels	17
OPERATOR MAINTENANCE	18
Chair Maintenance	18
For Service	18
Specification	18
Warranty Period	18

MPC 14 BLOOD DONATION CHAIR 4 MOTORS

Owner's Product Identification

(information that you will need to provide for servicing – key information is highlighted)

<u><i>Date of Purchase</i></u>	<u><i>Serial Number</i></u>
<u>Name of Owner / Facility /Department</u>	<u><i>Model Number</i></u>
<u>Name of Authorized Schröder Dealer</u>	<u>Telephone # of Authorized Schröder Dealer</u>
<u>Address of Authorized Schröder Dealer</u>	



IMPORTANT INFORMATIONS

Scope and Purpose of This Manuel

This manuel covers complete instructions for the installation, operation, and normal care of the SCHRÖDER MPC 14 Electronic Blood Transfusion Chair. It is intended that this manual be used by any medical personnel responsible for operating the examination chair during a medical procedure or performing operator level maintenance. No repair information is included in this manual as no repairs are authorized at the operator level.

Intended Use of Product

The product provides positioning and support for patients during a blood transfusion operation conducted by qualified medical professionals.

Safety Instructions

The primary concern of Schröder is that, this equipment is operated and maintained with the safety of the patient and staff in mind. To assure safer and more reliable operation;


- Read and understand this manual before attempting to install or operate the chair.
- Assure that appropriate personnel are informed on the contents of this manual; this is the responsibility of the purchaser.
- Assure that this manual is located near the chair, or if possible, permanently affixed to the chair.


Transportation and Storage Conditions

- Ambient Temperature Range; -5°C to + 38°C (-41°F to 100°F)
- Relative Humidity 10% to 90% (non-condensing)
- Atmospheric Pressure 500hPa to 1060hPa (0,49atm to 1,05atm)


MPC 14 BLOOD DONATION CHAIR 4 MOTORS


Explanation of Safety Symbols and Notes

	<p>CAUTION</p> <p>PINCH-POINT DANGER</p> <p>Articulated leg must be moved with a spanner. Otherwise it causes crushing of hand or fingers.</p>
---	--

	<p>CAUTION</p> <p>CRUSHING DANGER</p> <p>The objects in low cause serious injuries. While the product is moving, do not bend its under.</p>
--	---

	<p>CAUTION</p> <p>ALCOHOL CAUTION</p> <p>Leather upholstery was not wiped with alcohol-containing materials. Otherwise, color change can be seen on leather.</p>
---	--

	<p>CAUTION</p> <p>RUPTURE DANGER</p> <p>While unplugging, pull it by holding on plug not cable. Otherwise, rupture can occur.</p>
--	---

	<p>CAUTION</p> <p>LACERATION DANGER</p> <p>Sharp and piercing objects in your pocket can cause cutting or puncture of the leather.</p>
---	--

MPC 14 BLOOD DONATION CHAIR 4 MOTORS

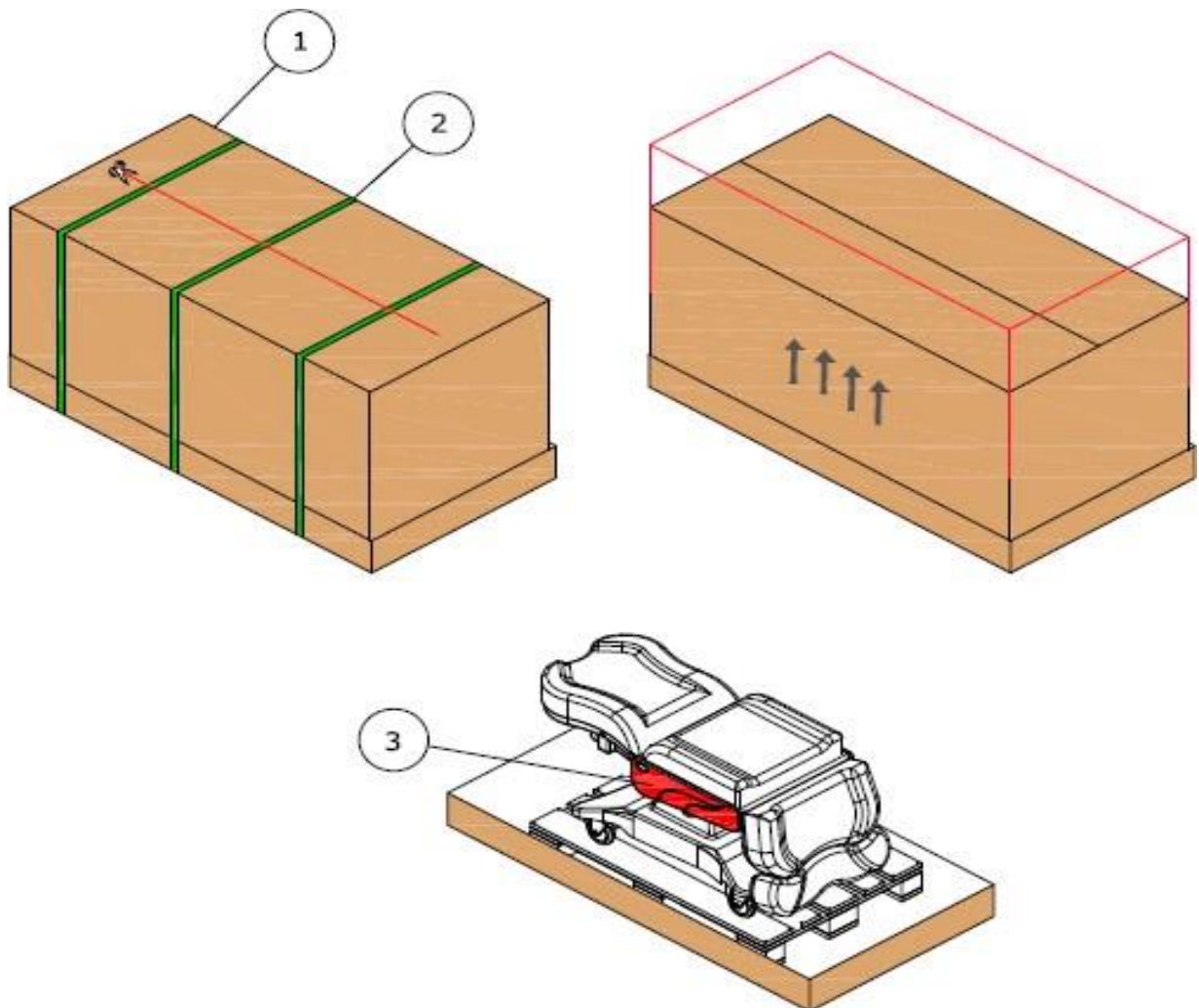
INSTALLATION

Unpacking

Inspect the table and upholstery for any shipping damage. Report any damage to the shipping company and fill out a concealed damage report.

Make sure the location is flat on the ground that the seat is positioned. Bring to the point where you want to position the Box(1). Cut the strips which are surrounding the box. Push out of the side surface parcels of the box(1) and lift upward. Take the 5 piece accessories inside the box and remove them surrounding the seat.

Open the jilatin cover of the seat. Remove the seat from the pan and lift upward from the specified location(3). (Do not lift everywhere, other points are unsupported areas for lifting). An assistant can pull the bottom pan. Gently place the seat desired location.

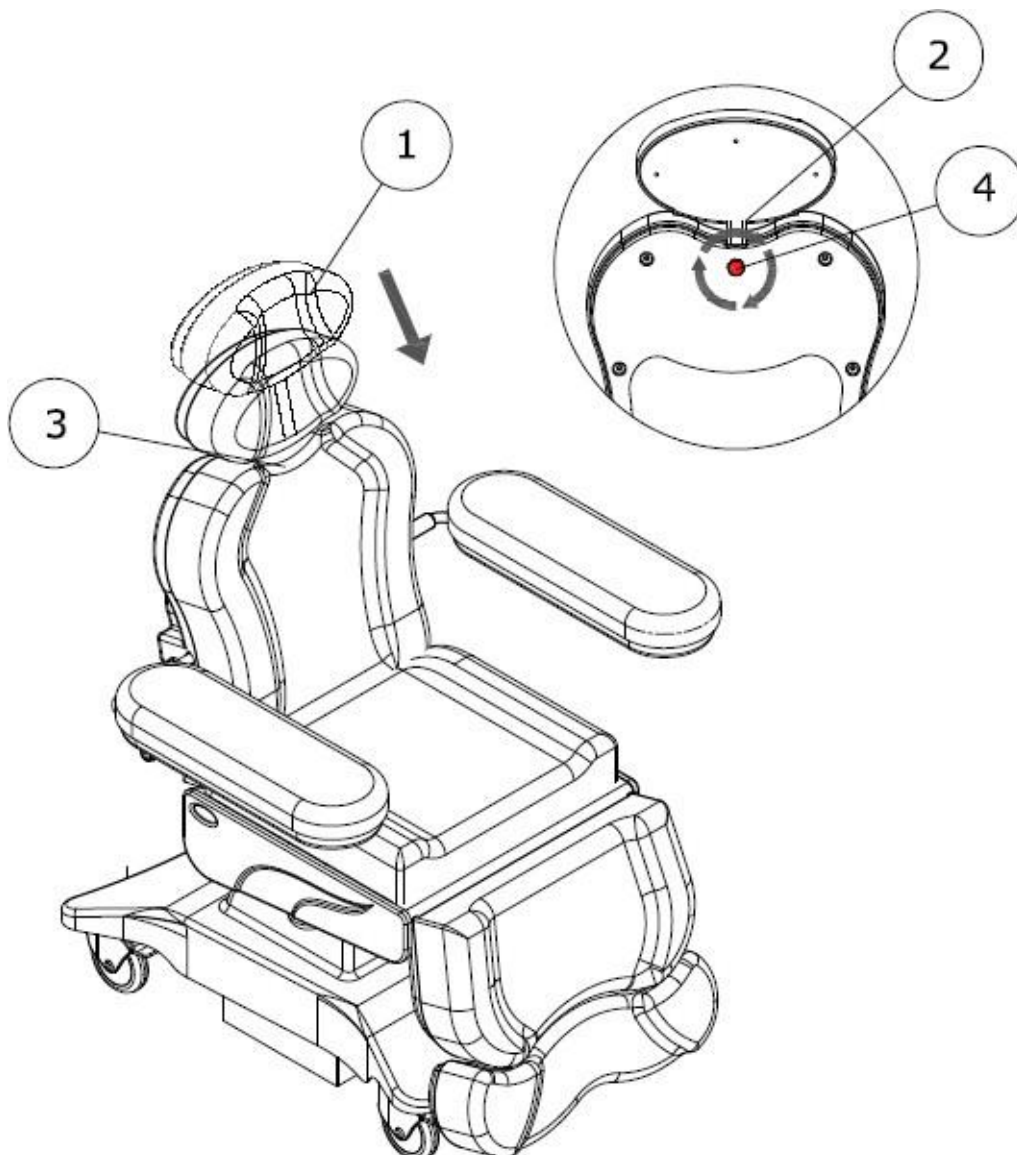


MPC 14 BLOOD DONATION CHAIR 4 MOTORS

Mounting accessories

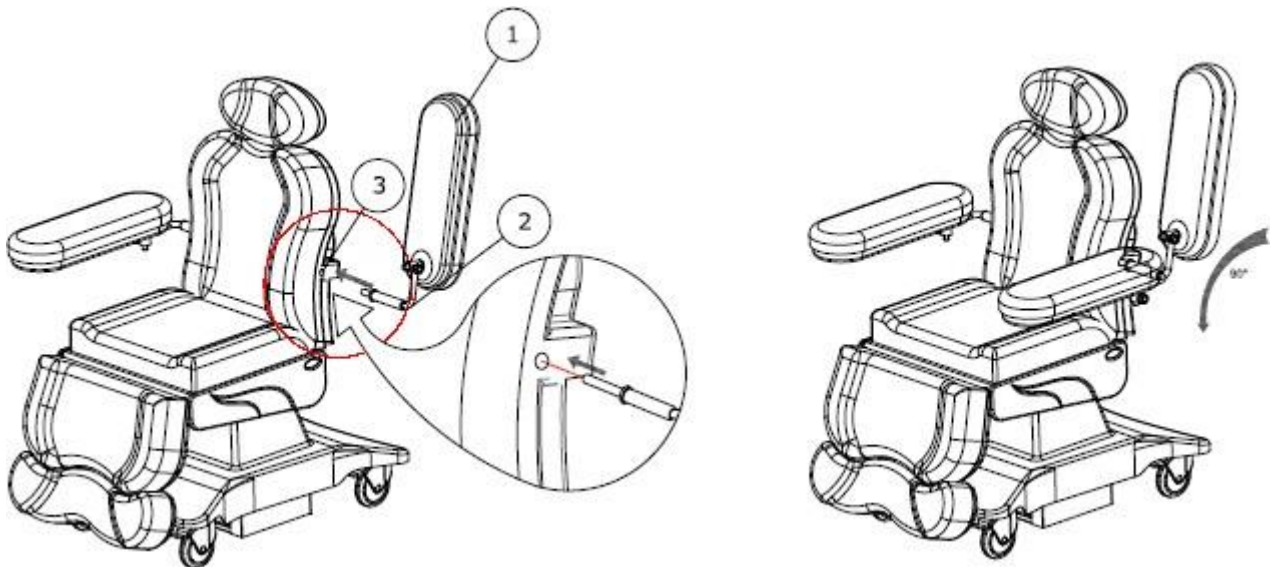
Accessories are mounted simply and easily as described below.

To Install the Headrest remove the headrest(1) inside of the box. Headrest have it's own assembly bar(2). Upside of the chair have headrest assembly hole(3). align the assembly bar(2) to the assembly hole(3) and insert the assembly bar to the assembly hole. You can fix the head rest length as you desire by using adjusting and fixing button(4) above the head rest assembly hole(3).

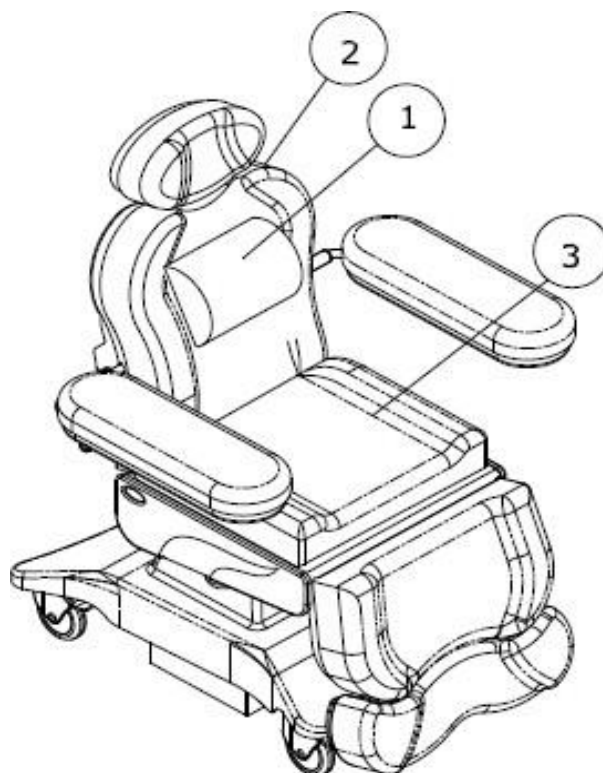


MPC 14 BLOOD DONATION CHAIR 4 MOTORS

To Install the Armrest remove the armrest(1) from the box. Armrest have its own assembly bar(2). Both sides of the chair have assembly hole(3). Hold and align the armrest vertical then press.



To Install Waist Support; remove the waist support(1) inside of the box. You can use the waist support when the chair is on any position by replacing with hand.



MPC 14 BLOOD DONATION CHAIR 4 MOTORS

DESCRIPTION

Introduction

MPC 14 Electronic Blood Transfusion chair, can use for whole blood transfusion and blood transfer applications primarily. The chair can take position as to your needs so that it provides advantages for operator can make both examination and operations easily. The table is designed to reduce the effort and fatigue, and increase safety involved in the examination and treatment of patients.

Features

MPC 14 Electronic Blood Transfusion chair have ;

- Four kind positioning ; Back up and down, trendelenburg up and down, foot up and down , chair up and down.
- a handset control, ergonomically designed to fit comfortably in the palm of the operator's hand, for positioning the table top for an examination or procedure.
- an optional foot control, which allows the operator to position the table for an examination or procedure without breaking the sterile field.
- a manually adjustable head rest which may be adjusted to allow the operator to position the patient's head in a specific position or orientation
- built in diagnostics which allow for quicker and better servicing of the table should a malfunction.

POWER Electrical in Requirements

Most exposed metal parts of the table are electrically grounded. When performing a cauterization or similar treatment, the patient must be insulated from the metal portions of the table by nonconductive material. Failure to do so could result in electrical shock or burns to patient.

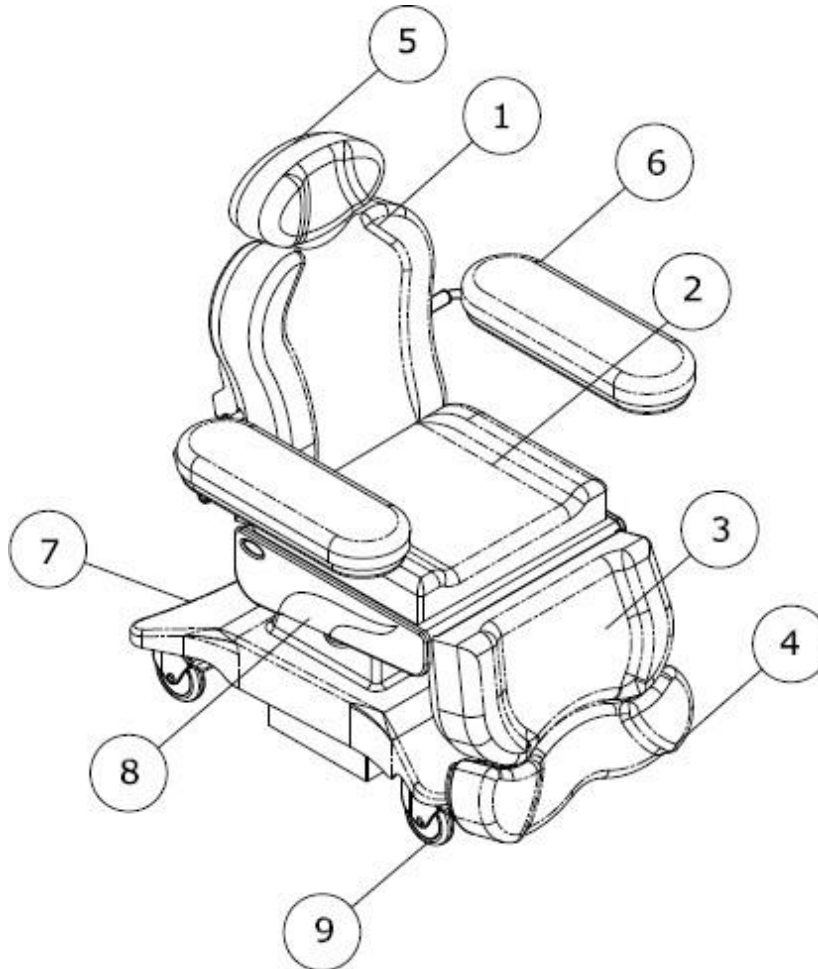
Use 115 VAC, 60HZ alternating current only. Failure to do so could result in electrical shock to personnel and will result in damage to chair.

Do not use this chair in an explosive or oxygen-enriched atmosphere. Failure to do so could result in serious personal injury or death.

Electric value have to be **VAC, 60 Hz, 12 amps**. The Grounding plug three way internal and external, Grounding plugged, not isolated, right polarized 115 VAC plugged. The power cable of the table provides power to all electrical functions of the table, includes duplex receptacles.

MPC 14 BLOOD DONATION CHAIR 4 MOTORS

OVERVIEW ACCESSORIES



Description of the Accessory

1 Back Section

2 Seat Section

3 Leg Support

4 Foot Support

5 Head Rest

6 Arm Rest

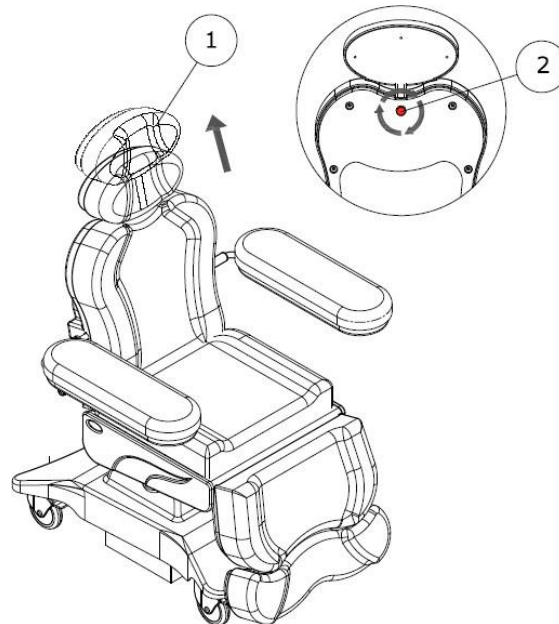
7 Under chassis ABS

8 Side ABS

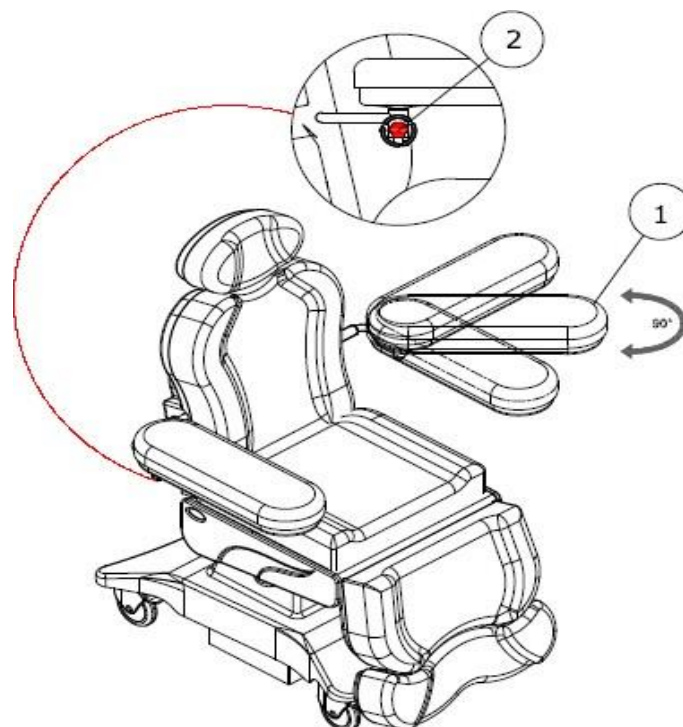
9 Wheel

MPC 14 BLOOD DONATION CHAIR 4 MOTORS

Head Rest positioning; Head Rest(1);for positioning the most advantageous position to your desire and operation, Loosen before the clamping knob(2) on the rear side of the seat, by moving the head rest(1) up and down bring to the level desired and tighten the clamping knob(2) to secure.

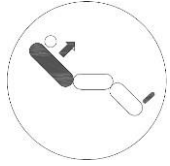


Arm Rest Positioning; you can move the arm rest(1) loosening the clamping knob(2) to bring the desired position, move the arm rest(1) 90° right and left parallel to the ground.

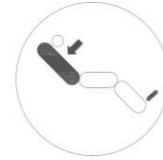


MPC 14 BLOOD DONATION CHAIR 4 MOTORS

Back Section Positioning; You can use the buttons on the hand set, to bring the seat for the operator comfort and desire to the operation. Use (1)

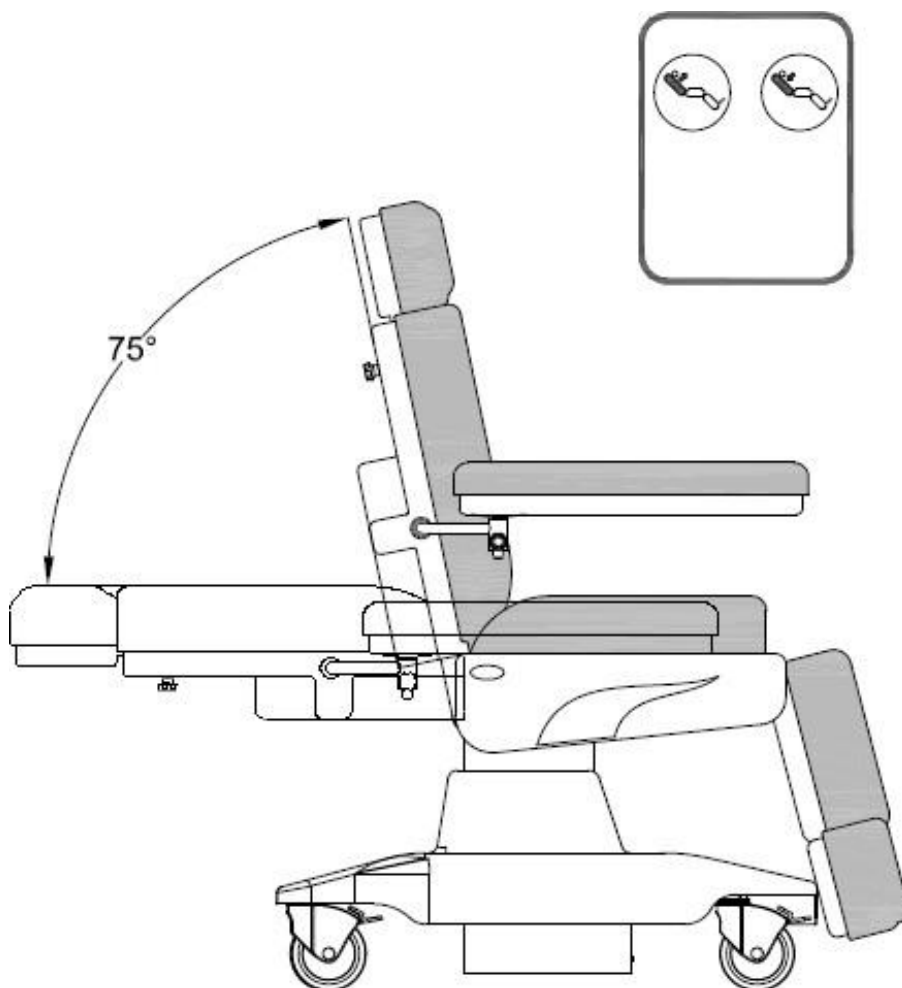


button for lifting the back section and use (2)



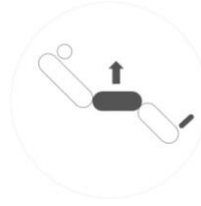
button for

lay down the back section.



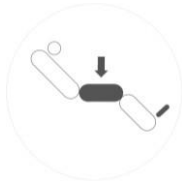
MPC 14 BLOOD DONATION CHAIR 4 MOTORS

Height Positioning; You can use the buttons on the hand set, to bring the high of the table according to the height of the patient and for the operator

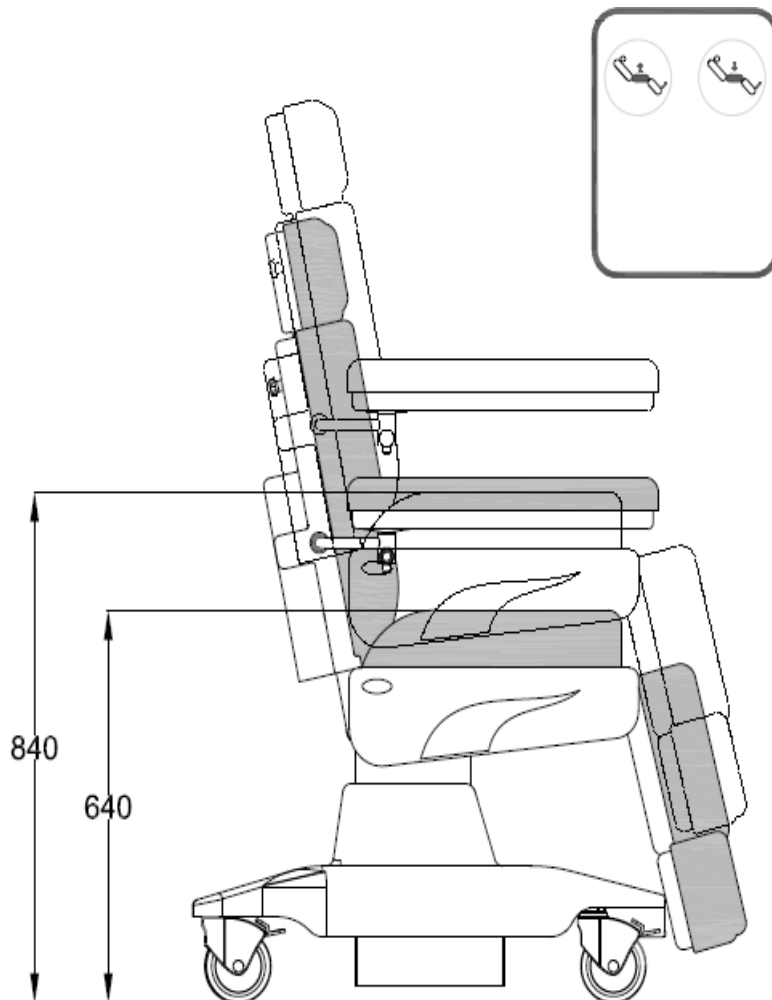


comfort, for rising up use button(3)

and for bring down use



button(4)

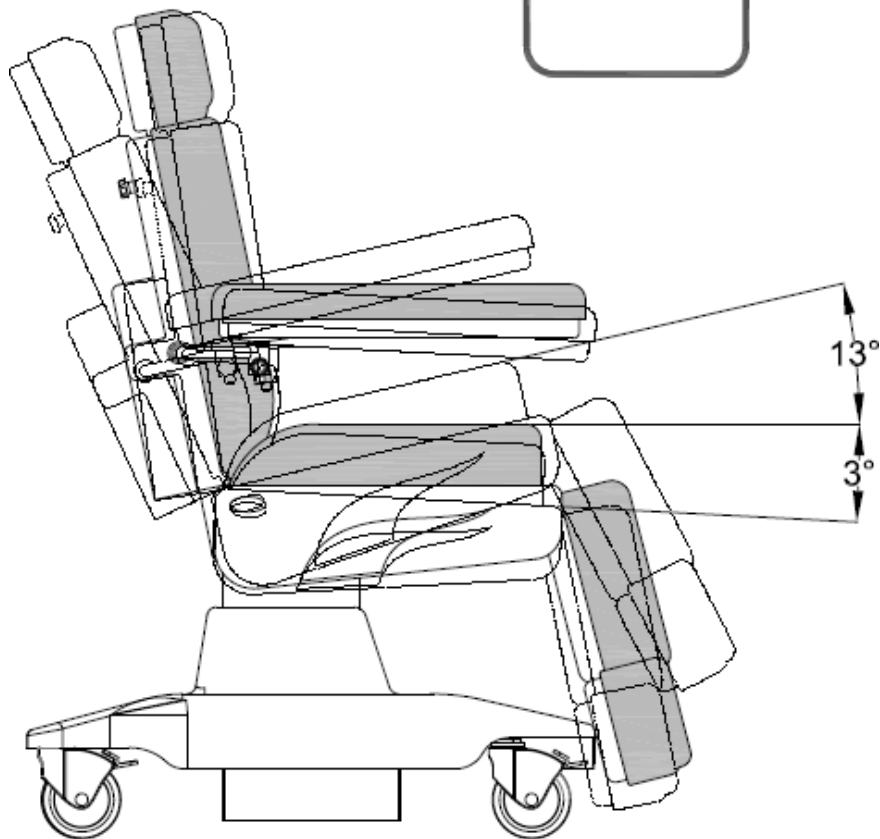
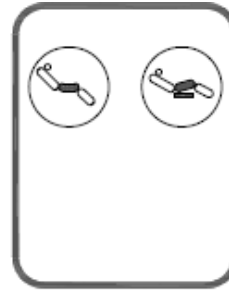


MPC 14 BLOOD DONATION CHAIR 4 MOTORS



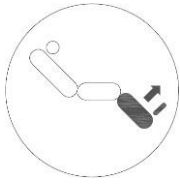
Trendelenburg Positioning; the indicated key
trendelenburg position.

the chair takes

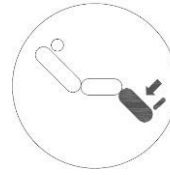


MPC 14 BLOOD DONATION CHAIR 4 MOTORS

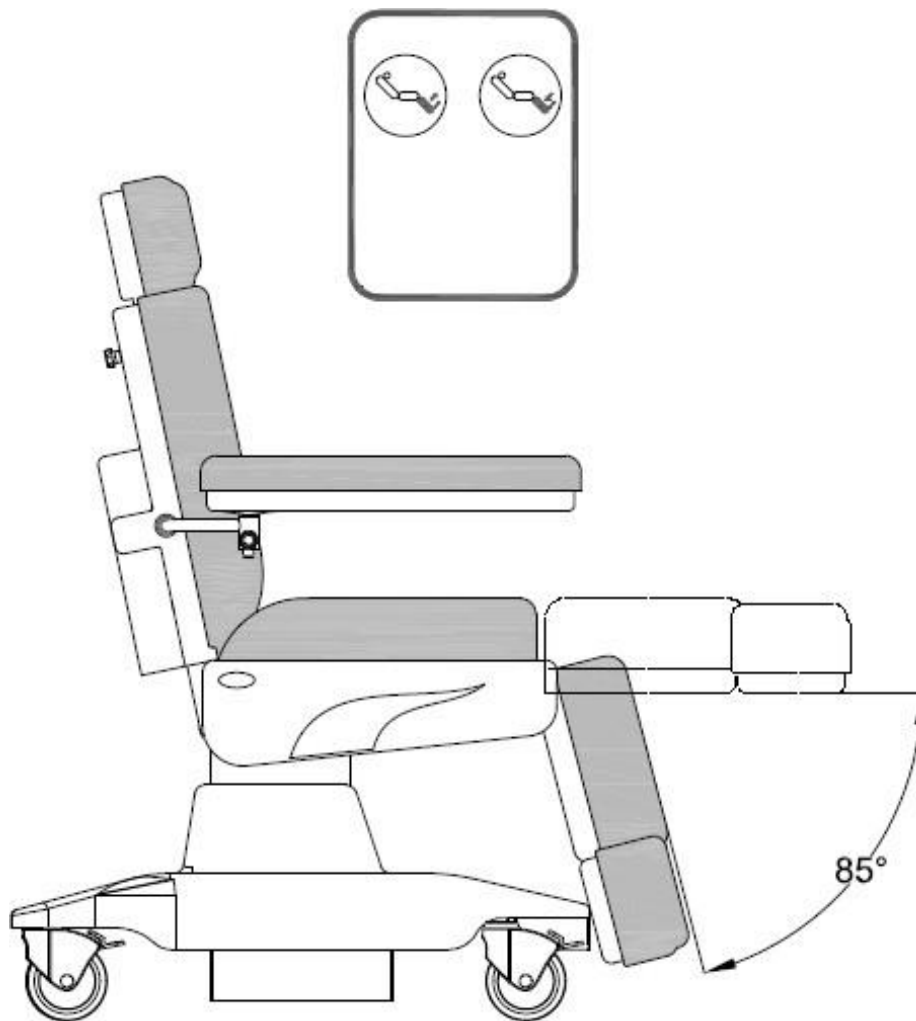
Leg Section Positioning; You can use the buttons on the hand set, to bring the seat for the operator comfort and desire to the operation. Use; (5) button



for lifting the leg section and use (6) button for lay down the leg section.



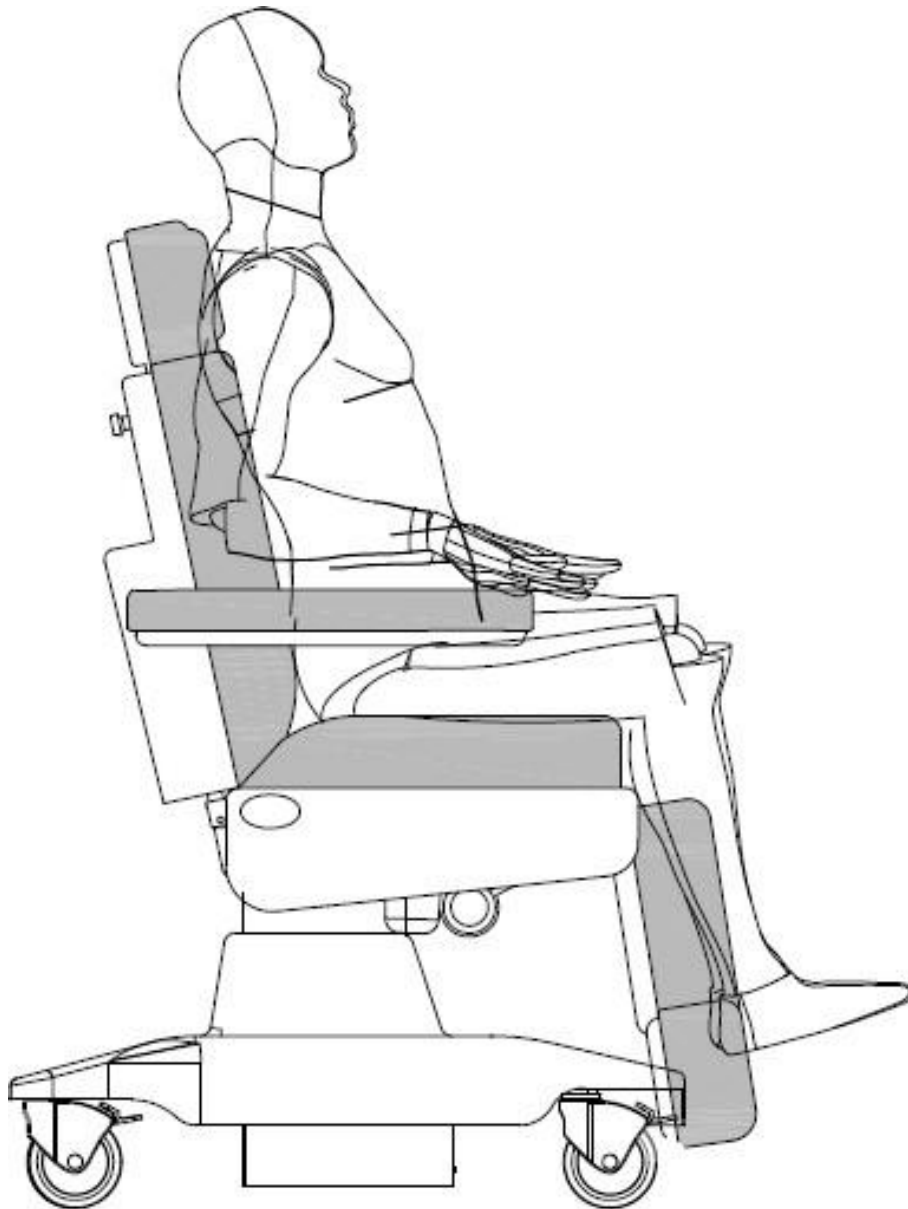
button for lay



MPC 14 BLOOD DONATION CHAIR 4 MOTORS

Patient Positioning;

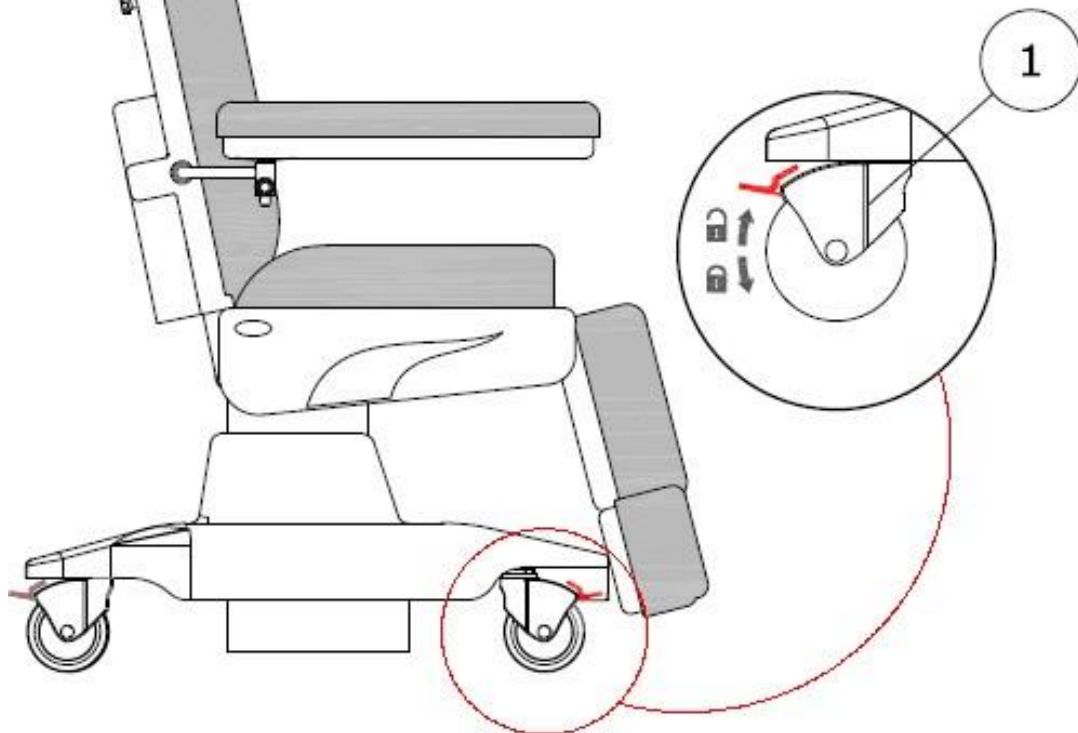
Sit the patient as shown on the Picture. Optimally positioned by the operator according to the process to be carried out



MPC 14 BLOOD DONATION CHAIR 4 MOTORS

Wheels;

During the transfer of the patient from one location to another location to move the patient in a comfortable way; the lock is released by lifting up on wheels. Patient and the chair will moved easily desired place. Once the desired location is reached, locks on the wheels locked down and chair is will fixed.



MPC 14 BLOOD DONATION CHAIR 4 MOTORS



MANUFACTURER

PROMA MEDİKAL LTD. ŞTİ
BASPINAR MAH. 5. ORGANIZE SAN BOLGESI
83548 NOLU CAD NO 6 ŞEHITKAMIL GAZIANTEP

Tel : +90 850 202 77 50

Faks : +90 342 230 15 83

E-Mail : info@schroder.com.tr

Web : www.schroder.com.tr