

Multi-use silicone face masks with headgear for comfortable leak-free resting and exercise gas exchange measurements



- ▶ 5 sizes (3 Adult and 2 Pediatric)
- ▶ Available also with inspiratory valve for high performance exercise testing
- ▶ Reusable and easily disinfected for multiple use
- ▶ Anatomical design for leak free and comfortable fit
- ▶ Integrated chin cup for stability
- ▶ Perfect adherence to any face shape
- ▶ Easy to clean and sterilize

The reusable face masks by COSMED are the best solution for testing (at rest or during exercise test) with maximum patient comfort even during long testing sessions (2-3 hours) and at any exercise intensity.

Made of silicone rubber (no latex or other allergic material) the mask guarantees maximum seal and no air leaks.

The face mask has an anatomically contoured design with resilient ribbed support structure for a leak free comfortable fit and integrated chin cup for stability.

Five sizes of face pieces are available to cover a wide range of patient sizes (3 adult and 2 paediatric).

Possibility to have face mask models with inspiratory valves, which reduce inspiratory resistance during high performance exercise.

Mounting and dismounting of headgear is made simple thanks to the new quick-release 5 strap clips.

Easily adjustable, light weight, 5 strap Headgear for patient comfort, available in three sizes.

The face mask can be easily cleaned and sterilised: steam autoclaveable, cold chemical, pasteurization and dishwasher safe.





Internal testing shows significant reduced inspiratory resistance starting already from 80 Liter/min. At 150 L/m resistance to flow is 1/2 compared with masks without valves.



Face masks without inspiratory valves are recommended when performing Exercise Flow/Volume Loops (EFVL).

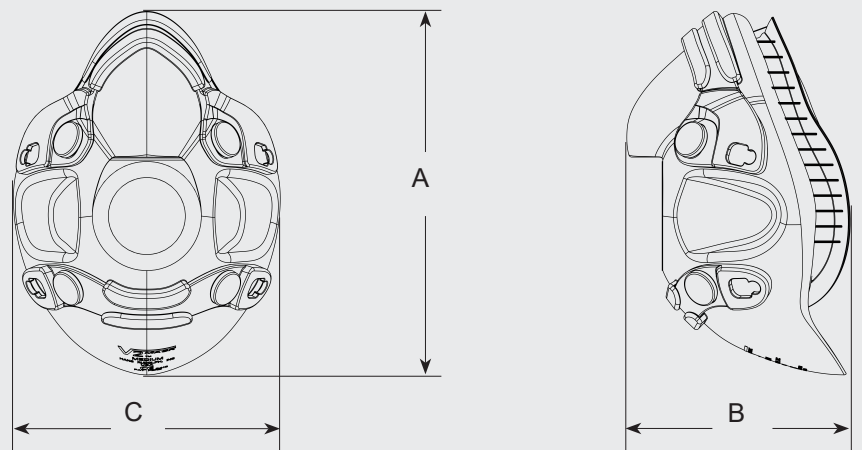


RMR testing with pediatric face mask.

Technical specifications

V2 Mask			
With Inspiratory Valve		Application	Compatible Products
C04324-01-10	Small	Valves reduce inspiratory resistance, ideal for Performance testing.	K5, Quark CPET, Quark PFT, K4 b ² , Quark b ²
C04324-02-10	Medium		
C04324-03-10	Large		
C04324-04-10	X-Small		
Without Inspiratory Valve			
A-800-110-002	Small	For clinical or performance applications. Required when EFVL (Exercise flow volume loops) must be captured and for Resting applications.	K5, Quark CPET, Quark PFT, Quark RMR, K4 b ² , Quark b ² , Fitmate line, Spiropalm 6MWT
A-800-120-002	Medium		
A-800-130-002	Large		
A-800-209-001	X-Small		
A-800-208-001	Petite		
Head Cap			
A-800-900-023	Head cap adult for Small or Medium		
A-800-900-022	Head cap adult for Large		
A-800-900-024	Head cap for Extra Small or Petite		
Mask adapters			
C02839-01-20	Mask adapter for flowmeter RMR ID18		
C02466-01-20	Mask adapter for flowmeter VO2max ID28		
C04381-01-08	Mask adapter for opto-reader 2000		
C05085-01-20	Mask adapter for AB Filter w/ round mouthpiece		
Materials			
Face Piece with Structural Braces	Silicone Rubber (blue), Polycarbonate Thermoplastic		
Headgear	Polyurethane Foam (black), Nylon UBL (gray) and Nylon Fabric (red)		
Biocompatibility	Statement 10993-1		
Headgear Hook	Nylon, black		
Headgear Strap Clips (4), Tri-glide	Polypropylene, black		
Custom Mask Adapters	Polycarbonate Thermoplastic		

Dimensions	Mask face Piece Sizes				
	Large (L)	Medium (M)	Small (S)	Extra Small (ES)	Petite (P)
A (in/cm)	5.9/15	5.6/14,2	5.2/13,2	4.8/12,2	4.6/11,7
B (in/cm)	3.7/9,4	3.4/8,6	3.2/8,1	3.1/7,8	3.0/7,6
C (in/cm)	4.2/10,6	4.2/10,6	4.0/10,2	3.9/10	3.9/10
Deadspace (ml)	143	125	99	88	78
Weight (gr)	128	118	100	89	83



COSMED
The Metabolic Company

COSMED Srl

Via dei Piani di Monte Savello 37
Albano Laziale - Rome 00041, Italy

+39 (06) 931-5492 Phone
+39 (06) 931-4580 Fax

info@cosmed.com | cosmed.com