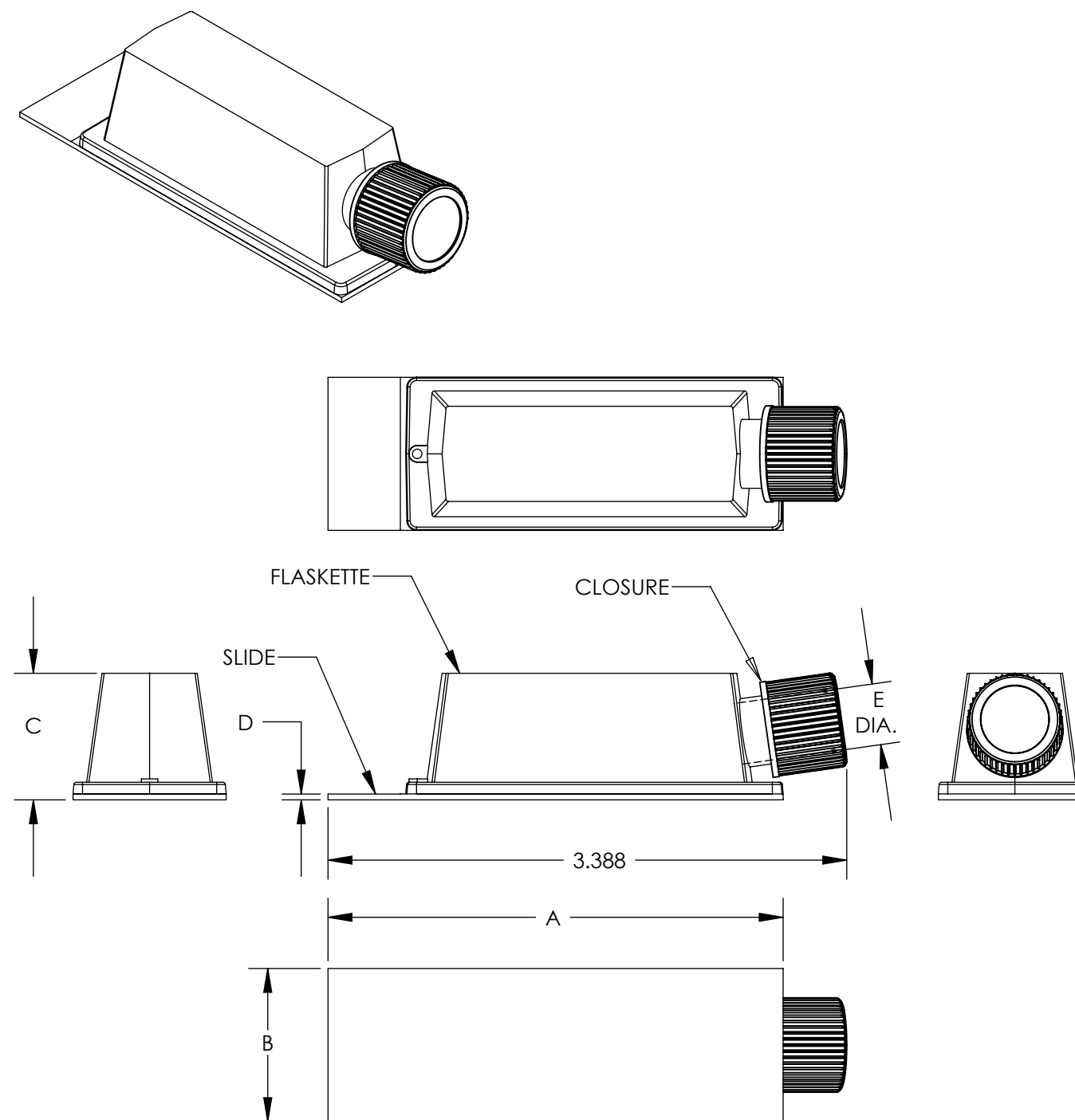


CATALOG NUMBER	SUGGESTED WORKING CAPACITY (mL)	MATERIALS		
		FLASKETTE	SLIDE	CLOSURE
177453	2.5 - 5.0	PS	GLASS	PP

	INCH	MM
A (LENGTH).....:	2.97	75.4
B (WIDTH).....:	1.00	25.4
C (HEIGHT).....:	.82	20.8
D (THICKNESS).....:	.04	1.0
E (NECK I.D.).....:	.39	9.9
F (O.A.L.).....:	3.37	85.6



SPECs ON BACK

NOT TO SCALE

1. ALL DIMENSIONS ARE NOMINAL AND IN INCHES AND MILLIMETERS UNLESS OTHERWISE NOTED.
2. THIS IS NOT A PRODUCTION DRAWING, BUT IS FOR INFORMATIONAL PURPOSES ONLY, AND IS SUBJECT TO CHANGE WITHOUT NOTICE.

CONFIDENTIAL

THIS PRODUCT SPECIFICATION SHEET CONTAINS CONFIDENTIAL AND/OR PROPRIETARY INFORMATION AND IS TO BE USED ONLY FOR THE EXPRESSED PURPOSES AGREED UPON BY AN AUTHORIZED OFFICER OF THERMO FISHER SCIENTIFIC.

ThermoFisher
SCIENTIFIC

Thermo Fisher Scientific
75 Panorama Creek Drive
Rochester, NY 14625-2385, USA

MADE	PB	APP'D	BR
CK'D	BR	9/30/09	

PSS 177453

REV. 0909

DESCRIPTION:

FLASKETTE GLASS SLIDE 5.0mL