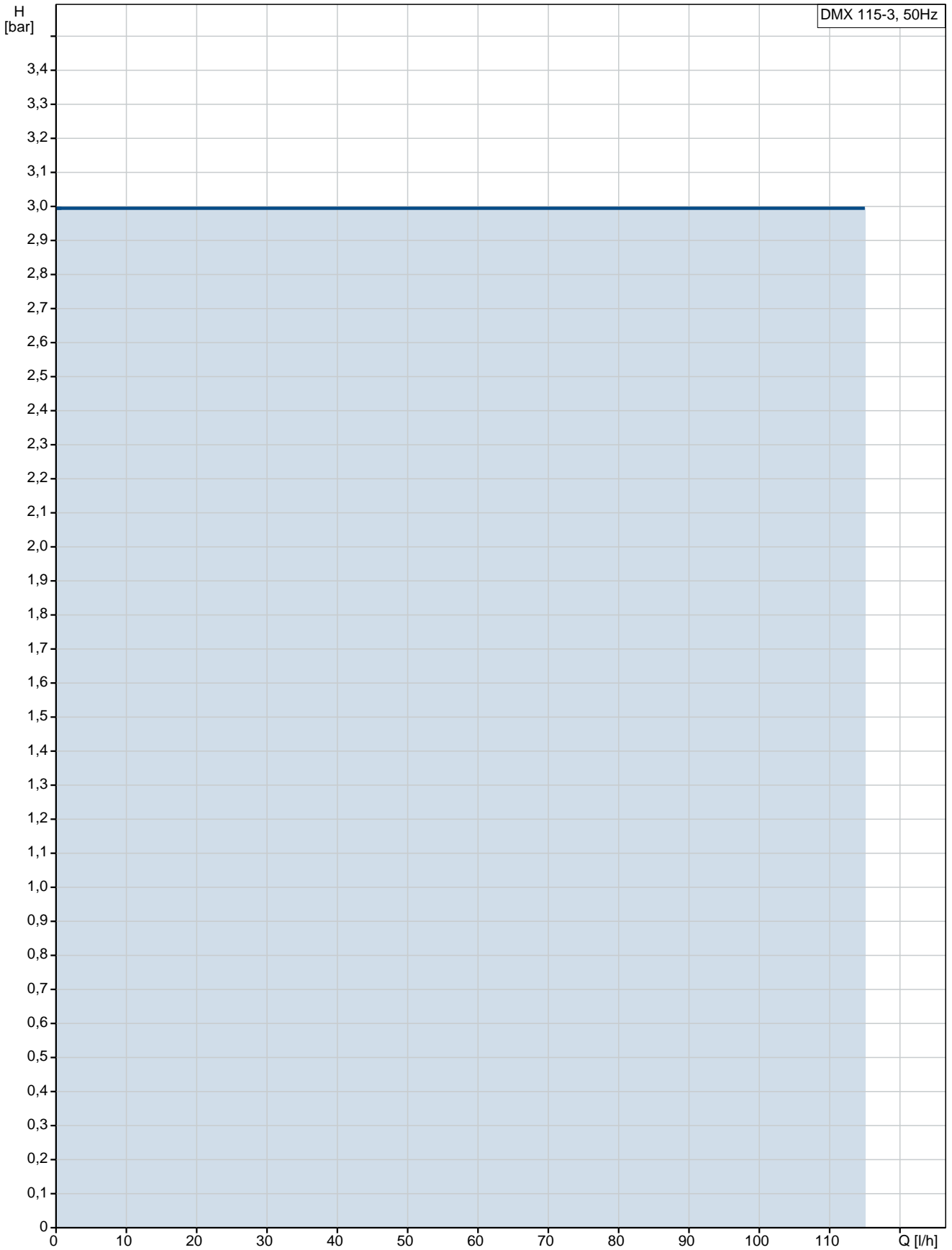


La cerere DMX 115-3 AR-PVC/V/C-S-G1U3U3FEMNG 50 Hz



Descriere	Valori i tipuri
-----------	-----------------

Informa ii generale:

Nume produs::	DMX 115-3 AR-PVC/N/C-S-G1U3U3FEMNG
Nr. produs::	99856603
Numărul EAN::	La cerere
	La cerere

Tehnic:

Nominal flow rate at 50 Hz:	115 l/h
Number of dosing heads:	1
Aprob ri:	CE,EAC,CNROHSEX
Non return valve type, inlet pump 1:	Standard
Non return valve type, outlet pump 1:	Standard
Văscozitate max:	100 mPas

Materiale:

Corpul pompei (stator):	Thermoplastic
Dosing head, pump 1:	PVC
Bil valv :	Ceramic
	Al2O3
Scaunul supapei:	Composite
	PTFE
Garnitur valv :	FKM
	Rubber

Instala ie:

Max operating pressure at 50 Hz:	3 bar
Maximum permissible inlet pressure:	0 bar
Type of inlet connection:	Connection pack
Type of outlet connection:	Connection pack
Size of inlet connection:	19/27, 20/25
Size of outlet connection:	19/27, 20/25

Lichid:

Lichid pompat:	Ap
Gama temperaturii lichidului:	0 .. 40 °C
Temperatura lichidului în timpul func ion rii:	20 °C
Densitate:	998.2 kg/m ³

Date electrice:

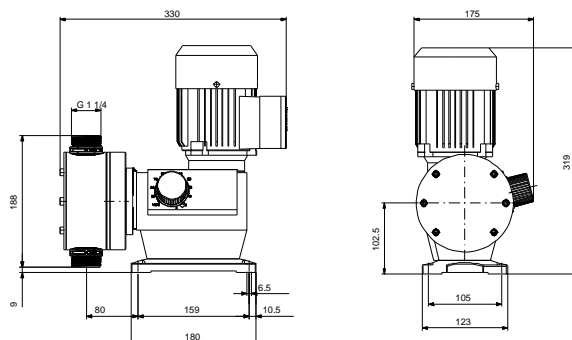
Intrare putere P1:	0.09 kW
Frecven a re elei electrice:	50 Hz
Tensiune nominal :	1 x 220/240 V
Grad de protec ie (IEC 34-5):	IP65
Cablu inclus (Da / Nu):	N
Stecher:	Schuko plug

Control:

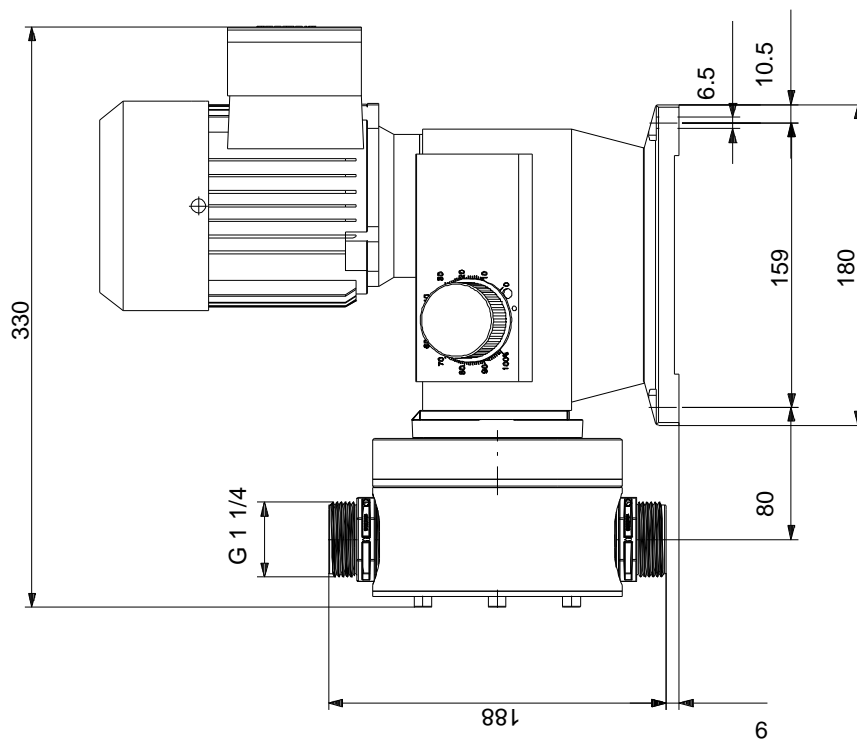
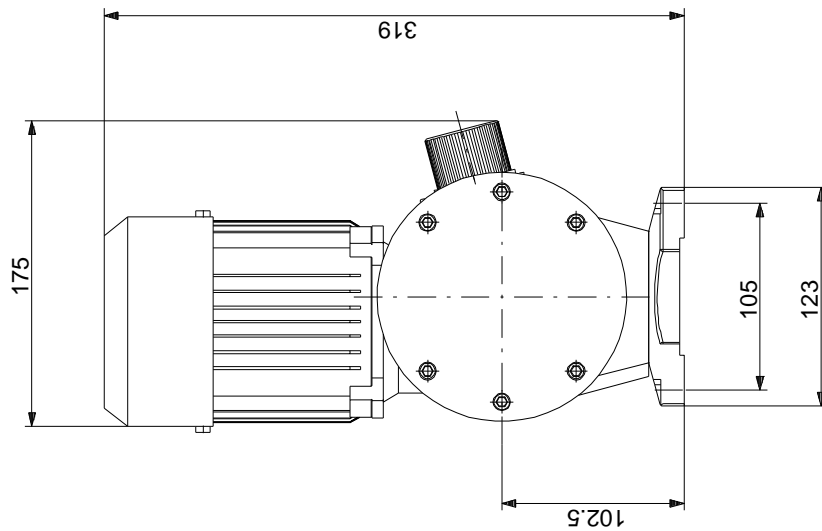
Type of connector:	Type E/F (CEE7/7)
Type of control variant:	Automat
Convertizor de frecven :	Not prepared for VFD

Altele:

Greutate net :	11 kg
Greutate brut :	13.6 kg
Volum de livrare:	0.04 m ³
Diaphragm Leakage Detection:	N



La cerere DMX 115-3 AR-PVC/V/C-S-G1U3U3FEMNG 50 Hz



Not : Toate unit ile sunt in [mm] daca nu sunt altele specificate.
Negare: Acest desen dimensional simplificat nu prezint toate detaliile.