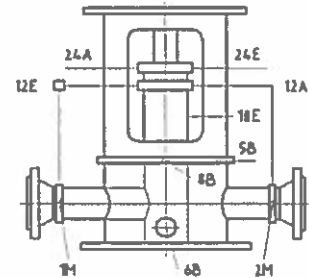
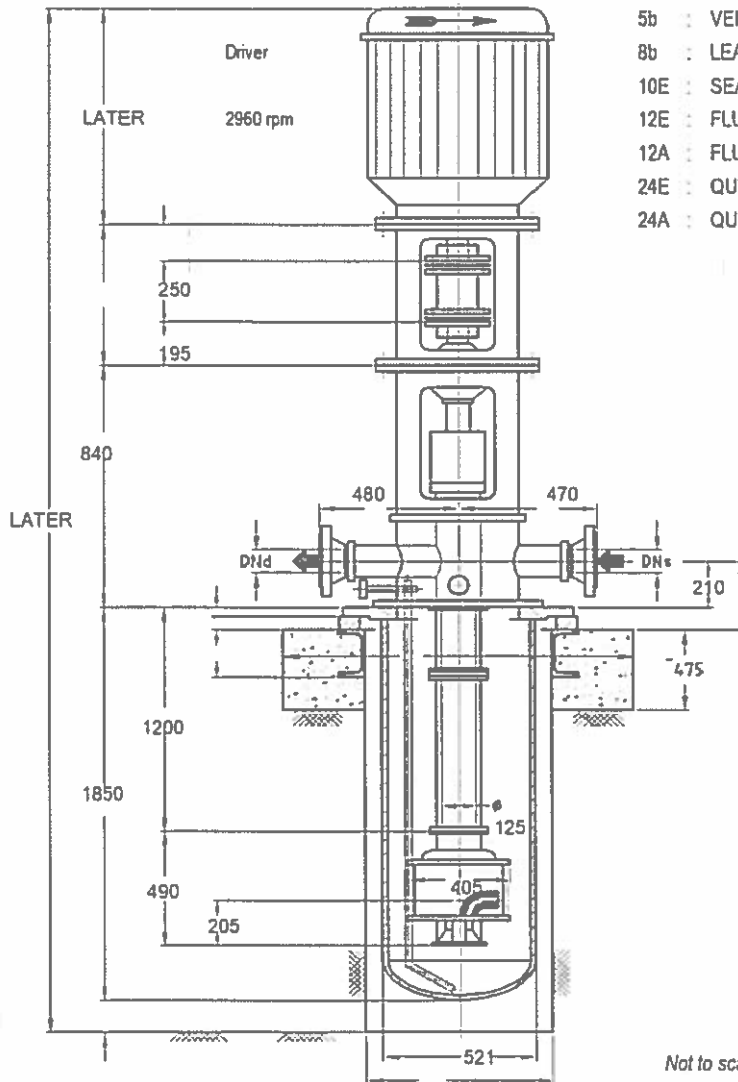


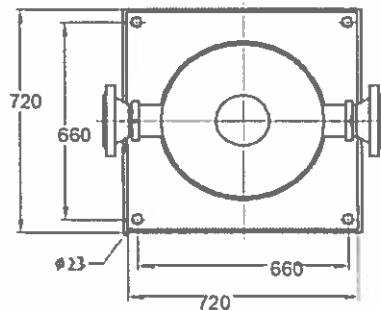


CONNECTIONS (NPT)

1M	: PRESSURE GAUGE	1/2"
2M	: VACCUME GAUGE	1/2"
5b	: VENTING	3/4"
8b	: LEAKING/OUTLET	1/2"
10E	: SEALING/INLET	1/4"
12E	: FLUSHING/INLET	1/2"
12A	: FLUSHING/OUTLET	1/2"
24E	: QUENCH/INLET	1/2"
24A	: QUENCH/OUTLET	1/2"



Not to scale. All dimensions are in mm.



PRELIMINARY DIMENSIONAL DRAWING

CLIENT	: KSB Slovenia
PROJECT	: Termoelectrica Chisniau PP
KSB REF.	: SQ2023129
ITEM NO.	: NA
PUMP	: WKT 100/3
LIQUID	: Condensate
TEMP.	: 65 °C