

12.06.2026

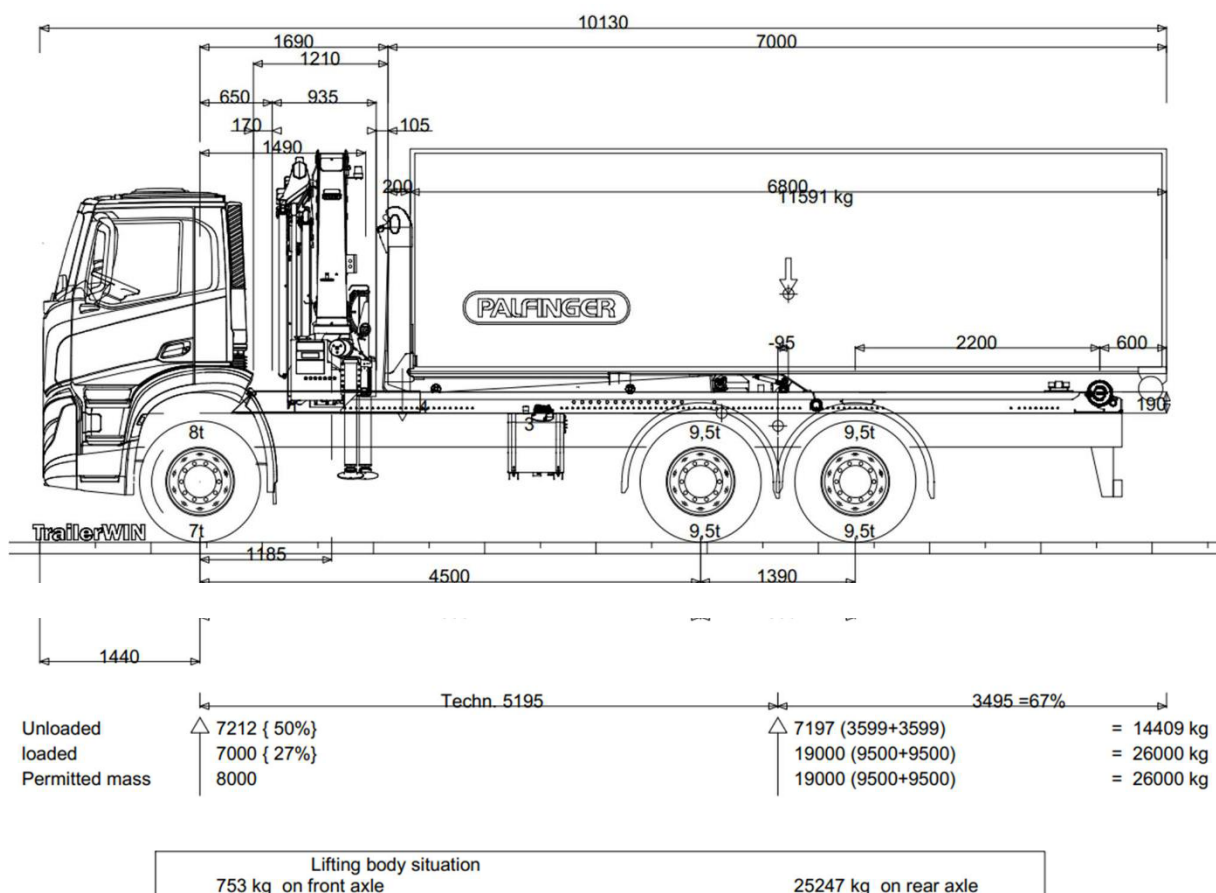
TENDER: ocds-b3wdp1-MD-1775559960230

SPECIAL VEHICLE WITH LARGE CAPACITY PUMP

FOR: DIRECȚIA REGIONALĂ CĂUTARE-SALVARE # 2

TEHNICAL DESCRIPTION

Offer No 253_26: Truck with container for accessories, manipulator and high- capacity motor pump (1100m³/h)



1. Iveco truck – provided by East-Test SRL in conformity with Terra Palfinger SRL technical requirements.
2. Palfinger loader crane – PK17.001 SLD3

LOADER CRANE

PK 17.001 SLD 3

YOUR OFFER:

No.: RO2026220075-3

OFFER CREATED ON:

20.05.2026

OFFER VALID UNTIL:

18.08.2026



YOUR REQUESTED SPECIFICATION



PK 17.001 SLD 3 - Loader Crane Solid Range

BASIC UNIT:

- Lifting Moment 164.4kNm (16.8mt)
- Classification HC1 HD4/S2 in EN12999
- High extension speed by applying return oil utilization and oil passage through the cylinders
- Single linkage with Single Link Plus 15°
- Rack and pinion slewing system
- Slewing angle 420°
- Floor control on both sides
- Single stabilizer control with operated check valves on the stabilizer rams
- Box level on both control panels



KONF - Certification

Declaration of conformity
CE declaration ex works
10° tiltable stabilizer plates

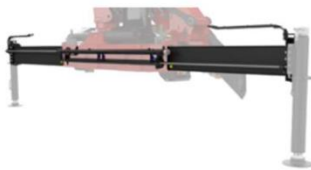
LAAU - Country code

RO - Romania



TOWI - Dead centre over balance

The end stops of the slew rack are located over the balance



R2X - Outriggers hydraulic, medium

Hydraulically extendable with separate stabilizer controls
Double hydraulic outrigger lock without additional mechanical lock
- Reduction of setup time
- Safety during operation



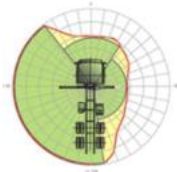
STZYM - Stabilizer legs 180° mech. tiltable
Supported by gas pressure spring



ST4 - Stabilizer control ground, 4 elements
Manual control for crane stabilizers with 4-fold control valve mounted on crane



AUSW - Check of outrigger transport position
Check if hydraulic outriggers are in retracted position
Wired to electrical box on the crane with output for optical and acoustical signal



HPSC-E - Stability system HPSC-E
Stability system by PALFINGER real data algorithm
Calculation of the permitted working area for each slewing angle of the boom system and for each support situation
Increase of operational safety
Compliance with EN12999
Utilization of the maximum lifting capacity at each point of the fully variable working range



SAM - Slewing Angle Monitoring
Sensors for the detection of the slewing angle mounted on the crane
Preparation for monitoring and comfort functions
Distinction between left and right vehicle side for individual operation



STU01 - Hour counter
Crane hour counter (digital or via PALdiag)



HUPE - Acoustic warning
Acoustic warning (102dB), incl. push-button, wired on the crane



TRAN2 - Check of crane transport position

Crane boom parked above the platform
Limiting switch on crane column or main boom for indication of transport position
Wired to an electric switch box
With output for optical or acoustical signal



LHV18 - Load hold valves

On main boom, knuckle boom, extension boom and slewing cylinders



PAL - Paltronic 40

Electronic overload protection incl. emergency cut-off
Overload protection of the crane
Display of the load
Display of the equipment status



PTT01 - Paltronic display

Paltronic terminal at the main control station.



B - 3-section hydr. extension boom



RC002 SLD - Scanreco radio remote control

SCANRECO-remote control with NORDHYDRAULIC-control Valve with up to 4 proportional functions
8 on/off-functions prepared on handset, 3 speed-selection, Transmitter and receiver;
Radio remote control cable for alternative operation;
Battery charger, 2 batteries, automatic frequency shift when taking in operation, hip belt and neck strap;
Emergency cut-off solenoid valve, 24 volt system (12 volt on request), crane without cross rods and without additional valve element;
Additional functions for standard crane functions, incl. wiring up to crane terminal box;
Acoustic warning (102dB) incl. push-button, wired on the crane (identical with HUPE for 12m warning for EN12999);
The number of functions results from the actual crane functions and is not selectable

6L SLD - Handset design
4, 5 or 6 functions linear



SMALL - Small handset
Ergonomic handset for the operation of the crane

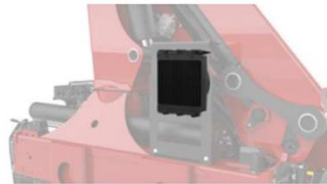
LICHT - Working light on/off



SPOT - Premium Working Light on crane
One premium LED-working light with 3000 lm installed at the knuckle boom.
All-weather quality and IP68 / IP69K rated.
Excellent lighting of the work zone.



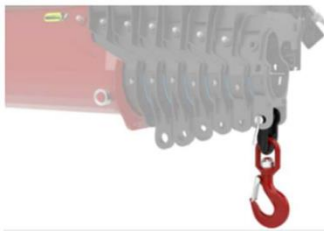
RALSTD - Standard colour RAL3020
Painting RAL3020



ÖLK01 - Oil cooler 8,5kW, mounted
Longer service life of the oil, seals, valves and other hydraulic components through lower oil temperature



TL140 - 140l hydraulic oil tank loose
The shut-off valve and the elbow fitting are included



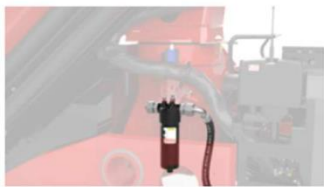
LH08.0 - Load hook
8t load hook with slide bearing



BRI-4 - Mounting parts; bolts 4 pcs.



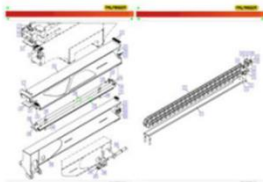
24V - Electricity
24 volts



HDF03 - High pressure filter
High pressure filter for single circuit system - mounted



VPACK - Crating
Crane on pallet, accessories in boxes



EKAT - Spare parts catalogue

BTASPR - Documentation package

RO - Romanian

The printed package in your chosen language contains the original operating instructions and the service manual, including the certificate of conformity of the product (e.g., EU Declaration of Conformity, installation declaration, or other). Additionally, a USB stick with operator videos and a ballpoint pen are included.

CDSPR - Technical data and language EKAT

EN - English

Technical data sheets as print versions in your chosen language.

EQUIPMENT



EP 344

Fixed Displacement Pump (U) 63 l/min

REXROTH axial piston fixed displacement pump single-flow

Technical data:

- displacement volume at 1000 rpm: 63 l/min
- universal rotation direction (U)
- max. speed: 2200 rpm
- max. pressure: 400 bar
- max. torque: 351 Nm
- overhang torque: 9.9 Nm
- dead weight: 9.3 kg
- dimensions (LxWxH): 261 x 124 x 208 mm
- incl. suction connection 1" - 50 mm - 0° (EA2111)

CUSTOM ARTICLES

Crane installation behind the cabin, without additional rigging

For mounting the crane behind the cabin without the need for an additional mounting beam

The option includes:

- Labor and materials required for execution
- Materials required for additional chassis and additional chassis execution
- Hydraulic installation for commissioning the crane
- Electrical installation for connecting the crane to the chassis, commissioning the crane and preparing the chassis according to RAR norms
- HPSC settings, crane tests and provision of the work diagram
- Approved project for submission to CNCIR for issuing the crane book

Palfinger Premium hydraulic oil

Palfinger Hydraulic Oil Premium 32

Palfinger Premium oil has been developed to protect the hydraulic system against wear in a wide range of climates and severe operating conditions. Thanks to the special technology used, it maintains the critical thickness of the oil film on the extremely stressed components of the hydraulic system.

It has passed the most important tests and certifications:

- PALFINGER Standard PNORM 04.01.03
- Meets the requirements of Bosch Rexroth RDE 90235 and is approved by Bosch Rexroth in the RDE 90245 fluid rating list
- ISO 11158 (HV fluids)
- ASTM D6158 (HV fluids)
- FZG Gear Wear Test (Fluid Load Stage 11 ISO VG32)
- Clean oil particle count from ISO 4406 20/18/15 or higher
- DIN51524 Part 3 type HVLP

Handover inspection type 2

Filters and filter replacement labor

For radio cranes, tank >100 l

YOUR SPECIFICATION FOR PK 17.001 SLD 3

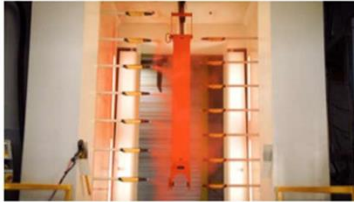
Position	Pcs	Description
PK 17.001 SLD 3	1	Loader Crane Solid Range
KONF	1	Certification
LAAU	1	Country code
TOWI	1	Dead centre over balance
R2X	1	Outriggers hydraulic, medium
STZYM	1	Stabilizer legs 180° mech. tiltable
ST4	1	Stabilizer control ground, 4 elements
AUSW	1	Check of outrigger transport position
HPSC-E	1	Stability system HPSC-E
SAM	1	Slewing Angle Monitoring
STU01	1	Hour counter
HUPE	1	Acoustic warning
TRAN2	1	Check of crane transport position
LHV18	1	Load hold valves
PAL	1	Paltronic 40
PTT01	1	Paltronic display
B	1	3-section hydr. extension boom
RC002 SLD	1	Scanreco radio remote control
6L SLD	1	Handset design
SMALL	1	Small handset
LICHT	1	Working light on/off
SPOT	1	Premium Working Light on crane
RALSTD	1	Standard colour RAL3020
ÖLK01	1	Oil cooler 8,5kW, mounted
TL140	1	140l hydraulic oil tank loose
LH08.0	1	Load hook
BRI-4	1	Mounting parts; bolts 4 pcs.

24V	1	Electricity
HDF03	1	High pressure filter
VPACK	1	Crating
EKAT	1	Spare parts catalogue
BTASPR	1	Documentation package
CDSPR	1	Technical data and language EKAT
Position	Pcs	Description
EP 344	1	Fixed Displacement Pump (U) 63 l/min

CUSTOM ARTICLES

Position	Pcs	Description
Crane installation behind the cabin, without additional rigging	1	For mounting the crane behind the cabin without the need for an additional mounting beam
Palfinger Premium hydraulic oil	150	Palfinger Hydraulic Oil Premium 32
Handover inspection type 2	1	Filters and filter replacement labor

YOUR BENEFITS



COATING TECHNOLOGY

A combination of cathodic dip painting and powder coating or two-component finish coat paint guarantees the highest quality standards for surfaces of PALFINGER's loader cranes.



PALTRONIC

With the PALTRONIC, PALFINGER offers the latest control electronics for the series production crane. Different systems are available depending on the series and the range of functions. The most important safety and comfort functions include such as overload protection and different variations of the stability control system HPSC and High Power Lifting System HPLS.



HPSC

High Performance Stability Control (HPSC) is a proportional system which recalculates and defines the working range and stability of the crane. Sensors for proportional path measurement are located in the stabilizers, making the positioning fully variable.



SINGLE LINK PLUS

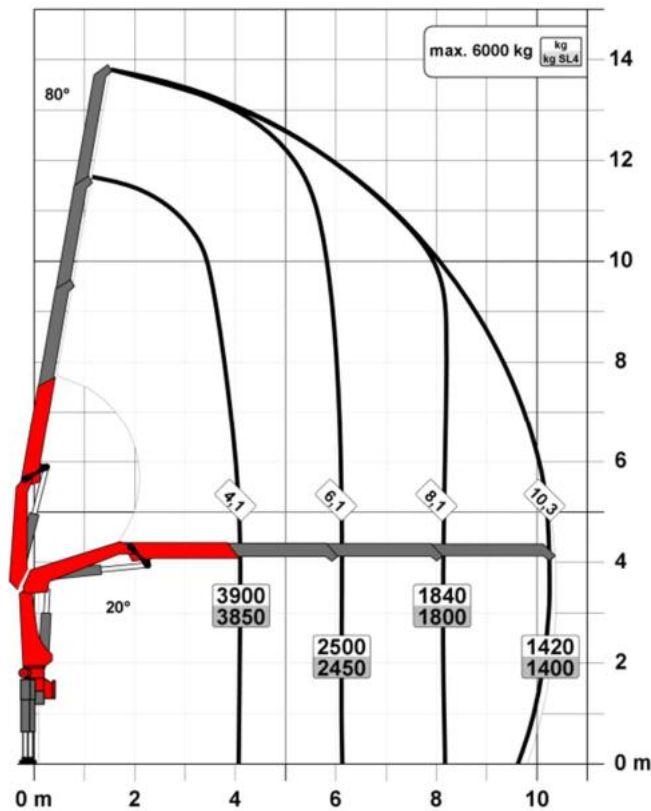
The knuckle joint on the crane's knuckle boom improves the crane's lifting power significantly in typical working positions. This knuckle boom, which has been specially developed by PALFINGER and can be angled upwards, also stands out by virtue of excellent movement geometry. Difficult crane jobs can be performed with precision even in the tightest spaces.



RADIO REMOTE CONTROL

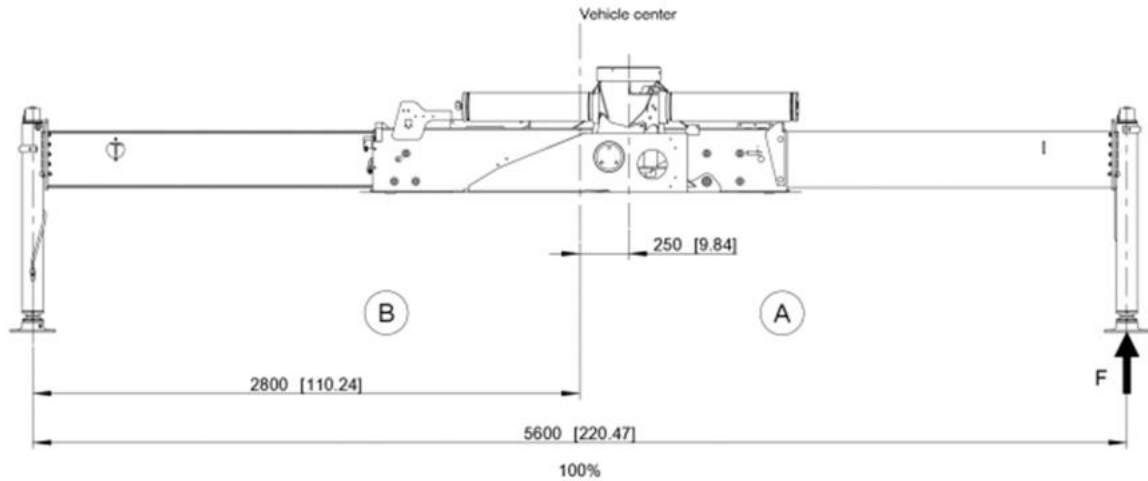
Today, radio remote controls are often considered to be standard equipment when it comes to modern loader cranes. PALFINGER radio remote controls are equipped with a choice of linear lever or cross lever and provide the greatest possible comfort for the operator. For cranes with PALTRONIC, a LED or LCD graphic display informs the crane operator of the different operating conditions.

Subject to change, production tolerances have to be taken into account.
Symbolic crane figure



For Rope winch load capacity refer to page
Page 020.11000

Subject to change, production tolerances have to be taken into account.



Stabilizer force	
100%	
F A	F B
81,6 kN [18,340 lb]	76,2 kN [17,130 lb]

Max. lifting moment	16.8 mt
Slewing angle	420°
Max. operating pressure	330 bar
Outreach	10.4 m
Pump capacity (l/min)	40-60

The working diagram resulting from the installation simulation of the lifting equipment on the truck chassis is theoretical and has been prepared based on the information received regarding the chassis; therefore, actual performance may vary.

Our company operates a SERVICE CENTER AUTHORIZED BY THE EQUIPMENT MANUFACTURER, providing technical assistance both DURING THE WARRANTY PERIOD and in the POST-WARRANTY PERIOD, based on a **SERVICE CONTRACT**, as well as spare parts availability for a period of 10 years.

Upon delivery of the equipment, our company will provide TRAINING for the operating personnel in Tunari, Romania.

Spare parts:

Spare parts considered wear parts are available from stock. For other parts not available in stock, procurement will be arranged on an urgent basis.

3. Palfinger hooklift HT 20 SLD – 6600mm



HT 20 SLD - HT 20 SLD

TELESCOPIC hookloader with sliding arm

- Loading / unloading / tipping
- Transfer to trailer
- Transport height: 240 mm
- Lifting capacity: 20 t
- Hydraulic supply by pump (pump not included)

STANDARD SLD

- Easy Drive control
- SD8 main valve
- Soft stop
- Mono speed

STRUCTURE

- Welded high strength steel construction
- Z-shaped subframe with bolted mounting holes
- Offset between pulley and tipper axes to reduce horizontal forces and increase tipping capacity
- Use of moulded parts in high duty areas: hook, pulley, tipper, arm bracket and main cylinder bearings to improve service life
- Rubber socket to reduce play and noise
- Container supports bolted
- Main valve with tailor-made design plastic molded cover for optimal protection

SAFETY

- Electrical and hydraulic safety devices in accordance with CE standards
- Pressure relief valve on the main control valve to prevent overloading
- Load holding valve or pilot valve on all cylinders
- Monitoring and protection of the arm by electronic sensors
- Mechanical locking of the tipping frame during unloading and transfer to trailer



024 - 24 V Power supply



8010 - CE conformity

1060 - Rail width 1060mm

Guiding of container with 1060 mm rail width.
Measured at the external of rails

06600 - Length 6600 mm



2602 - Fix hook height 1570 compact hook

Fix Hookheight

Hook height 1570mm

Compact hook offset 175mm

According norm DIN 30722 class 1 (or others local norms)



2003 - Without hook safety



1002 - Bolted Container support

Container support are bolted on the *Z members of the equipment*

Dismountable wear parts

Easier position changing and mounting of accessories



9503 - Guiding kit standard pulleys



5100 - Easy Drive control

Compact and robust electrical control system with CAN-BUS.
Movement control with single speed push button
CE conform
Diagnostic functions and emergency mode included
Simple and robust, the Easy Drive control enables the steering of the essential functions of the hookloader.
It is ideal for users who are seeking simplicity or for fleets in which drivers are regularly required to change



3001 - Rear hydraulic locking outside

Keep the container on position on the hooklift when travelling and during tipping movement
Locking via the external of the rail
Open and close from cabin control
Position feedback on cab control
Simple use and safe locking of the container of the unit.



6015 - SD08 main valve

Max. oil flow-rate of 80 l/min
Sectional valve



6007 - Hydr. 3 ways valve +pressure limitation

3 way valve + pressure limitation directly installed in front of the main valve
switch the oil supply to an additional hydraulic equipment (crane; winch...)
Oil flow: 0 – 120 l/min
Max. pressure: 400 bar
Pressure limitation 100 – 370 bar
Compact and fully integrated on the equipment.
Simple and sure solution to pilot an additionnal equipment.
Switch the oil supply of the hooklift to the extra equipment (hooklift and add. equipment are independant)



6505 - middle left handside main valve position

Main valve box on middle position.
Depends on unit length. (information given in technical data and PAC Online.)



9715 - Painting main frames Black RAL 9005



9996 - Service booklet

9996_RO - Romanian

9999 - User's guide

9999_EN - English

9998-1 - Spare parts catalog x1

9998 - Spare part catalog language

9998_EN - English

Paper version of the spare part book according to serial number

Spare part list accessible at any time.

Ease discussions with service partner

CUSTOM ARTICLES

Hook assembly

Hook assembly HT 20

Price includes:

- Chassis preparation for assembly
- Hook assembly
- Electrical installations
- Hydraulic installations
- Home tests
- Delivery instructions

Price does not include:

- Hook and accessories
 - Fender kit, side protections, anti-roll bar (already defined in the configurator)
 - RAR
 - ISCIR documentation (not needed)
 - Pump, tank and oil
 - Truck PTO
 - Spare wheel holder
 - Tool box
 - Rear stabilizer bar assembly
-

YOUR SPECIFICATION FOR HT 20 SLD

Position	Pcs	Description
HT 20 SLD	1	HT 20 SLD
024	1	24 V Power supply
8010	1	CE conformity
1060	1	Rail width 1060mm
06600	1	Length 6600 mm
2602	1	Fix hook height 1570 compact hook
2003	1	Without hook safety
1002	1	Bolted Container support
9503	1	Guiding kit standard pulleys
5100	1	Easy Drive control
3001	1	Rear hydraulic locking outside
6015	1	SD08 main valve
6007	1	Hydr. 3 ways valve +pressure limitation
6505	1	middle left handside main valve position
9715	1	Painting main frames Black RAL 9005
9719	1	Painting arm & pulleys Yellow RAL 1003
9996	1	Service booklet
9999	1	User's guide
9998-1	1	Spare parts catalog x1
9998	1	Spare part catalog language

CUSTOM ARTICLES

Position	Pcs	Description
Hook assembly	1	Hook assembly HT 20

4. Diesel engine pump unit EMP.R300C.SN02

- Diesel engine FPT model F36ETVP04.A105 in Stage V
- Displacement 3.600cc - Number of cylinders 4 in line Power 105,0 kW (143 HP) @ 2.300 r.p.m.
- Flywheel: SAE 3-11,5"
- Liquid cooling system
- Horizontal centrifugal pump CORNELL model 12NNT-RP-EM18DB-3
- Suction flange: DN300-12" / Delivery flange: DN300-12"
- Maximum solid handling: 4,00" - 101,6 mm
- REDI-PRIME automatic priming system of the pump unit
- RUN-DRY system for mechanical seals protection from damage
- CYCLOSEAL patented grit and abrasive particle removal system
- KTR elastic joint to connect engine and pump with hub
- Supporting BASE FRAME in galvanized steel
- High capacity FUEL TANK frame 300 liters
- Pressformed in STEEL material
- Control unit COMAP model INTELIGEN 500
- ENCLOSED version not insonorized



STREET TRAILER [approved for road use] with following characteristics:

- Double axle with external wheels and steel mudguards
- Maximum allowable trailer mass of 7.500 kg

ACCESSORIES included in the quotation:

- o External lights with LED lamp
- o Battery master switch
 - o Battery charge maintenance socket

(TO BE LOADED ON A DIFFERENT VEHICLE)

SUCTION set composed of [ANFOR joints]:

- Flanged male Anfor joint $\varnothing 300 \times \text{DN}300$
- Suction hose $\varnothing 300$ in rubber reinforced with internal steel spiral complete of Anfor joint $\varnothing 300$ L=4,00m
- Suction filter $\varnothing 300$ with Anfor joint

DELIVERY set composed of [ANFOR joints]:

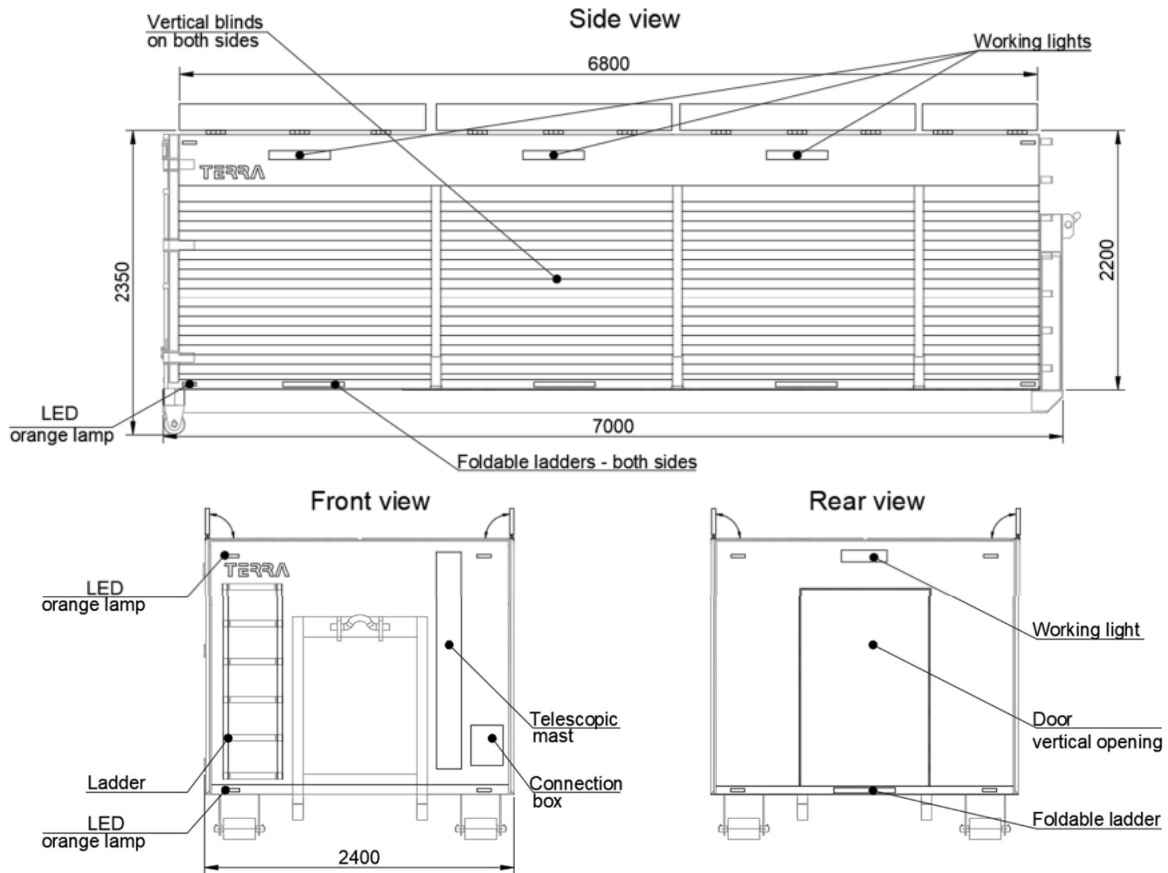
Manifold DN300 with 2 Storz $\varnothing 200$ outlets

User and maintenance manual complete of motopump EC Certification

List of compliant standards:

- EN 809 – Safety requirements for pumps and pumping units for liquids
- EN 9906 – Hydraulic performance acceptance tests for rotodynamic pumps
- EN 5199 – Technical specifications for class II centrifugal pumps
- EN 60204-1 – Electrical equipment of machines – General requirements
- EN 13849-1 – Safety-related parts of control systems – Design principles
- EN 45545 – Fire protection
- EN 1991 – Structural Load Design
- EN 1090 – Execution of steel structures
- EN 60598 – Lighting systems
- EN 12642 – Securing of cargo on vehicles (applicable if the pump is mounted on a mobile platform/trailer)

5. Hoses container and equipment



General organization and components

It will be equipped with a support and loading/unloading system, manufactured according to the DIN 30722 standard (which defines the hook height and the distances from the subframe anchoring elements on the transport platform). It will be correlated with the hook lift height to ensure compatibility.

Equipment and accessories installed and/or supplied with vehicle

Container technical specifications

The transportable container will be built in accordance with DIN 30722, which defines the hook height and the distances to the anchoring elements of the subframe on the transport platform. It will be loaded on vehicles equipped with a hook system that allows its loading/unloading and will meet the following dimensional specifications:

- Maximum inner length = 7000 mm;
- Maximum external width = 2500 mm;
- Maximum external height $h = 2400$ mm;
- The total mass of the container assembly (including the lifting/loading hook assembly) loaded with all materials/equipment listed in the product inventory will be maximum 15,000 kg;

Equipped with locking and securing systems while the vehicle is moving;

Metal flooring with anti-slip strips, impact-resistant, equipped with slots or anchoring systems;

The opening system of the equipment compartments will be provided with side rollers (left and right), and the rear compartment will be equipped with a rigid door, with a vertical opening upwards.

The communications equipment will include:

- A fuse panel for all equipment, including warning devices;
 - 12V DC bipolar sockets for communications equipment, including electrical conductors, capable of carrying a current of 20 A and supplied with paired connectors;
 - Bipolar sockets must be installed in accessible and properly insulated places;
- An antenna installed on the cabin with the antenna cable placed inside, with a TNC connector.
- The vehicle will be equipped with small lamps with flexible rubber arms, mounted behind the chassis. The vehicle, including all its components and equipment, will be new, unused, and not refurbished.

Operating Notice:

Transport of personnel inside the container area during vehicle movement is strictly prohibited.

The hose compartment container will be equipped with:

Rear door equipped with ladder access.
Floor with seawater resistant anodized checkered tiles and corrosion resistant walls.
Fully enclosed, foldable aluminum top covers that also function as safety railings.
Equipment and tool cabinets, equipped with access panels and roller doors with locks.
Hose compartments are equipped with fastening belts to prevent hoses from moving during container handling.

The lighting system

LED interior lighting, ensuring adequate illumination for identifying all equipment inside.
External lighting is required for unloading materials, with LEDs that will illuminate the area around the container within a radius of 5 meters. This system will be designed to fit within the overall dimensions of the container.
External marking lighting with orange LED lamps positioned in the upper corners of the container, visible from the side and rear.
Additional orange LED lamps of the same type are installed on the lower side, vertically aligned with the upper lamps.
The container will be equipped with an autonomous electrical system, powered by one or two batteries, with the option of recharging from an external power source (external 220V generator).

Painting and labeling

The container will be painted red (RAL 3000). Aluminium surfaces will not be painted.
The specific markings will include the text "SALVATORI ŞI POMPIERI", the single emergency call number "112", the logos of the General Inspectorate for Emergency Situations and the name of the container type "LARGE CAPACITY PUMPING CONTAINER". The inscriptions and markings will meet the requirements set out in Government Decision no. 500/2018. The exact text of the inscriptions (name and identification number of the firefighters, type of special vehicle, etc.) will be provided by the beneficiary (GIES) before signing the contract.

The material transport compartment will allow the storage and transport of at least 1000 meters of hose, with a diameter of up to 300 mm, with couplings, and allow the deployment of hose pipes and will be organized with spaces designed for the following categories of technical equipment:

Telescopic lighting mast with the following technical specifications:

- Will be integrated as a fixed component of the container;
- Fully electropneumatic drive;
- Electrically controlled (12/24V, DC or 220V, AC) via a wired remote control with a cable length of at least 5 meters;

- The power supply can be provided from both the vehicle's electrical system and the generator;
- Lamp rotation in vertical plane: 315°;
- Lamp rotation in horizontal plane: 360°;
- Equipped with four (4) LED lamps/projectors, each with a minimum output of 12,000 lumens, which will emit cool white light and provide protection against accidental impacts;
- Minimum height from the ground (when the container is on the vehicle chassis): 5,000 mm;
- Automatic return to transport position.

Hoses and accessories:

- Rubber coated discharge hose for water transport - 50 pieces
 - Equipped at both ends with standardized
 - Storz couplings
 - Large diameter (8" = 204 mm)
 - Length: 20 meters
 - Burst pressure: ≥ 35 bar
 - Hose color: Black
 - High resistance to ozone, abrasion and heat
- One-way valve - 2 pieces
 - Standardized Storz couplings
 - Large diameter (8" = 204 mm)
 - High resistance to ozone, abrasion and heat
- Adapter (8" = 204 mm) x (6" = 152 mm) - 2 pieces
 - Standardized Storz couplings
 - High resistance to ozone, abrasion and heat
- Hose Bridge/Ramp, set for hoses up to (8" = 204 mm) - 2 sets
 - 4 pcs. Ramp segments made of recycled plastic
 - 3 pcs. Aluminum pressing sections (1 center piece + 2 end pieces)
 - 2 pcs. Ramp spacer section, for extending ramps to allow passage for vehicles with lower ground clearance (connecting parts must be included).
- Coupling wrench (8" = 204 mm) - 10 units
 - For standardized Storz couplings
 - Large diameter (8" = 204 mm)
 - High resistance to ozone, abrasion and heat

List of relevant standards

- EN 12079 – Offshore containers
- EN 12075 – Rescue systems for confined spaces
- EN 14953 – Mobile emergency containers
- EN 14502 – Lifting equipment for rescue operations
- EN 12100 – Safety of machinery
- EN 45545 – Fire safety in transport containers
- EN 1991 – Structural design codes for containers
- EN 60309 - Plugs, socket-outlets and couplers for industrial use (used in emergency vehicles for electrical connections)
- CE 60364 - Low voltage electrical installations
- EN 60598 - Luminaires - General requirements and tests
- EN 62031 - LED modules for general lighting - Safety specifications
- EN 1838 - Emergency lighting - Application of emergency lighting
- EN 1307 – Rubber and plastics hoses – Dimensions, tolerances and determination of length
- EN 1402 – Rubber and plastics hoses – Hydraulic pressure test methods
- EN 8033 – Rubber and plastics hoses – Determination of flexibility
- EN 4649 – Rubber – Determination of abrasion resistance

EN 4081 – Rubber hoses for cooling systems – Resistance to ozone and fluids
 EN 12115 – Rubber hoses for the transfer of chemical and industrial fluids – Safety and performance requirements
 EN 14420 – (Hose fittings and couplings)

Recording and security systems.

- A traffic recording device that records on an SD or microSD card
 - An HD rear view camera (1920x1080) that activates automatically when reversing, with integrated rear parking sensors;
 - Satellite navigation system based on GPS or Galileo with Android Auto/Apple CarPlay
- Pneumatic telescopic mast with mechanical head.

Maximum head load 20 kg

Head rotation range 0–360°

Lamp tilt range 0–330°

Maximum working pressure 2.5 bar

Maximum wind speed Standard 102 km/h (10 B)

Basic technical data.



Warranty :	36-month
Delivery time :	30.03.2027 la sediul Direcția regională căutare-salvare nr. 2a Inspectoratului General pentru Situații de Urgență, situată pe strada Moscovei nr. 1, municipiul Bălți.
Offer validity :	120 days