



MST

BACKHOE LOADER

Model: **542 S**

Technical Specifications



ENGINE

Brand	PERKINS	
Emission Class	Stage II/Tier2 (EU/EPA)	Stage IIIA/Tier3 (EU/EPA)
Model	1104C-44T	1104D-44TA
Type	Diesel	
Number Of Cylinders	4	
Bore & Stroke	ø 105mm x 127mm	
Displacement	4.400 cc	
Max. Power	74,5 kW (100 HP) @ 2.200 rpm	
Max.Torque	408 Nm @ 1.400 rpm	400 Nm @ 1.400 rpm

TRANSMISSION

- Heavy Duty Powershift Transmission
- 4 Forward & 4 Reverse Gears
- Max Speed On Road 40km/h
- Electrically Controlled 2 Wheel Drive or 4 Wheel Drive Selection
- Torque Converter with 2,64:1 stall ratio
- Transmission Oil Cooler

AXLES

- Heavy Duty Service Type Axles
- 16° oscillation on the front axle
- Outboard Planetary Reduction
- Differential Lock on the rear axle

HYDRAULIC SYSTEM

Type	Tandem Gear Pump	Piston Type Pump
Flow Rate	145 L/min @ 2.200 rpm	162,8 L/min @ 2.200 rpm
Pressure	240 bar / 250 bar	

OPERATING WEIGHT

Operating Weight 8.860 kg (Telescopic) / 8.580 kg (Std. Arm)

*Operational weight, complying with the ISO 6016 standards, includes full fuel tank, hydraulic system and other liquids, 75 kg operator weight and standard equipped machine weight. Optional equipment's are not included.

BRAKES

- **Service Brake:** Hydraulic Boosted Twin Ø 31.75 Compensating self Bleed Master Cylinder
- **Park Brake:** Rear axle input, Manually adjusted Caliper, cable operated, Mounted on transmission output

FILLING CAPACITIES

	EU Stage II	Stage IIIA
Engine Oil with Filter	8,5 L	8,5 L
Engine Cooling System	22 L	19 L
Fuel Tank	140 L	140 L
Transmission	22 L	22 L
Hydraulic Oil Tank / Total System	62 L /145 L	62 L /145 L

ELECTRIC SYSTEM

Voltage	12V
Optional Battery	135 A/h
Alternator	85 A

TIRES

Front Tires	405/70-20" 12PR
Rear Tires	16.9-28" 14PR

LOADER PERFORMANCE

Max. Bucket Breakout Force	7.734 kgf
Max. Arm Breakout Force	5.905 kgf
Lift Capacity at Max. Height	3.200 kg

BACKHOE PERFORMANCE

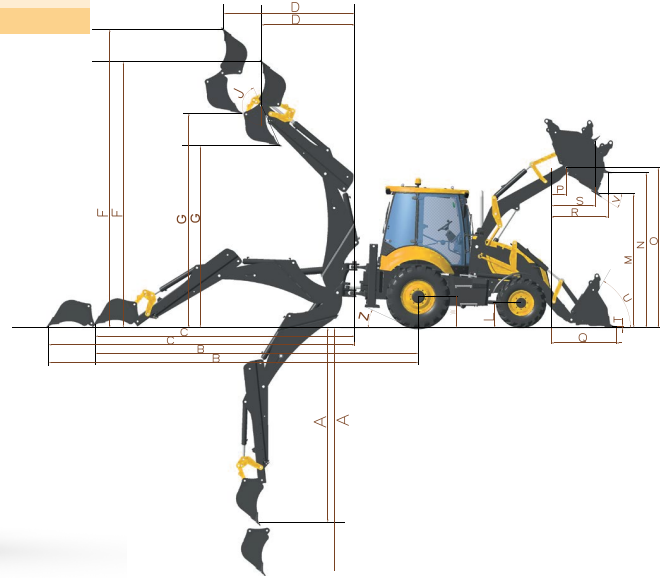
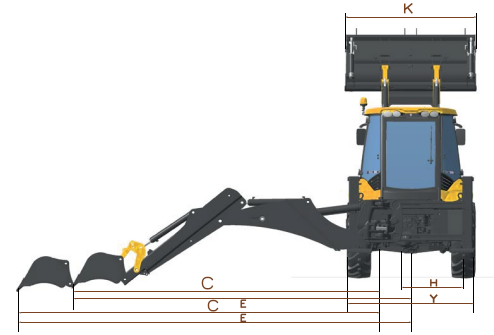
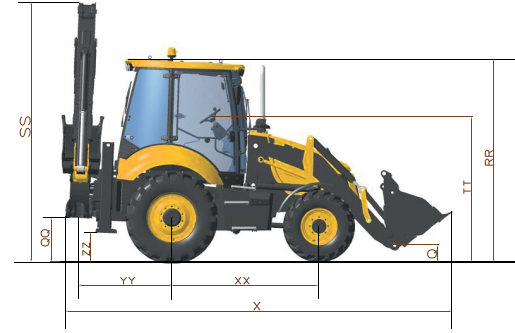
	TB (Extended)	TB (Retracted)
Bucket Capacity	0,17 m3	0,17 m3
Max. Bucket Breakout Force (Speed)	5.795 kgf	6.424 kgf
Max. Bucket Breakout Force (Power)	6424 kgf	6.424 kgf
Max. Arm Breakout Force	2.506 kgf	3.461 kgf

More Details



DIMENSIONS

		TB (Extended)	TB (Retracted)
A - SAE Maximum Digging Depth	mm	5.350	4.255
A - Maximum Digging Depth	mm	5.850	4.755
B - Reach - Ground Level to Rear Wheel Centre	mm	8.027	7.026
C - Reach - Ground Level to Slew Centre	mm	6.641	5.640
D - Reach - at Full High to Slew Centre	mm	2.776	1.936
E - Side Reach - to Centre Line of Machine	mm	7.149	6.147
F - SAE Operating Height	mm	6.347	5.653
G - Maximum Load Over Height	mm	4.623	3.912
J - Backhoe Bucket Angle	°	205	
K - Front Bucket Width	mm	2.350	
Y - Rear Frame Width	mm	2.250	
SS - Total Travel Clearance	mm	3.910	
QQ - Kingpost Clearance	mm	542	
Z - Departure Angle	mm	19	
ZZ - Stabilizer Feet Clearance	mm	338	
YY - Slew Centre to Rear Axle Centre Distance	mm	1.388	
XX - Axle Centreline Distance	mm	2.237	
X - Total Travel Length	mm	5.740	
TT - Steering Wheel Centre Height	mm	2.057	
RR - Cab Roof Height	mm	3.020	
P - Pin Forward Reach	mm	377	
S - Reach at Full Height Fully Dumped	mm	900	
R - Max. Reach at Full Height	mm	1.124	
V - Dump Angle	°	43	
M - Dump Height	mm	2.800	
N - Load Over Height	mm	3.328	
O - Loader Pin Height	mm	3.481	
U - Roll Back at Ground	°	44	
T - Digging Depth	mm	124	
Q - Reach at Ground (Toe Plate Horizontal)	mm	1.317	
H - Total Kingpost Travel	mm	1.125	
W - Rear Wheel Centre to Ground	mm	643	
L - Front Wheel Centre to Ground	mm	496	



* The information, visual, model and technical specification indicated in this brochure can differ depending on the country or region. MST has the right to modify the information, specifications, and design mentioned on this brochure without any prior notice.

MST CONSTRUCTION EQUIPMENT YATIRIM A.Ş.

4. Organize Sanayi Bölgesi 83426 Cad. No:1
Başpınar / Gaziantep / TÜRKİYE
Phone: +90 342 211 59 00 Fax: +90 342 357 00 32
export@mst-tr.com

