



INSTITUT GUMÁRENSKÉ TECHNOLOGIE A TESTOVÁNÍ, A.S.  
RUBBER TECHNOLOGY AND TESTING INSTITUTE, Plc.  
INSTITUT FÜR GUMMITECHNOLOGIE UND PRÜFWESEN, A.G.  
A.O. «ИНСТИТУТ ТЕХНОЛОГИИ РЕЗИНЫ И ИСПЫТАНИЙ»

Společnost je zapsána v obchodním rejstříku vedeném Krajským soudem v Brně, oddíl B, vložka 818



Zlín 28<sup>th</sup> February 2023

E8\*30R02/24\*6300\*00

PETLAS TIRE INDUSTRY  
AND TRADE COMPANY  
Kindam Mah.  
Ankara-Kayseri Cad. No.2/1  
40200 Kirsehir, TURKEY

**Communication concerning the approval and notification of approval number and inspection report issued by Inspection body IGTT**

Tyre type fully complies requirements of ECE/UN R30.

Enclosed you will find the Communication concerning the approval of your tyres according to ECE/UN Regulation No. 30

On the base of this approval you are entitled to produce in your factory tyres of the dimension:

**185/65R15 REINFORCED PETLAS SNOWMASTER 2 92H**

with the approval number : E8 026300  
date of inspection : 28<sup>th</sup> February 2023  
inspector's name : Václav Hořelka

Sincerely yours,

  
IGTT a.s.  
Tyre Approval Department  
Sternberská 448, Louky  
763 02 Zlín, Czech Republic  
IČ/D: 46900080 DIČ/VAT: CZ46900080

**Václav Hořelka**  
Head Of Tyre Approval Department  
Head Of Inspection Body IGTT

**Ministerstvo dopravy České republiky**  
**Ministry of Transport of the Czech Republic**  
Nábřeží L. Svobody 12, 110 15 Praha 1, Czech Republic



OSVĚDČENÍ o <sup>(1)</sup>:

COMMUNICATION concerning <sup>(1)</sup>:

**UDĚLENÍ HOMOLOGACE**  
ROZŠÍŘENÍ HOMOLOGACE  
ZAMÍTNUTÍ HOMOLOGACE  
ODEBRÁNÍ HOMOLOGACE  
DEFINITIVNÍM UKONČENÍ VÝROBY

**APPROVAL GRANTED**  
APPROVAL EXTENDED  
APPROVAL REFUSED  
APPROVAL WITHDRAWN  
PRODUCTION DEFINITELY DISCONTINUED

**typu pneumatiky pro motorová vozidla podle Předpisu č. 30**  
**of a type of tyre for motor vehicles pursuant to Regulation No. 30**

Homologace č.:


Approval No.: **E8\*30R02/24\*6300\*00**

Rozšíření č.:

Extension No.: **N/A**

- |      |   |   |   |
|------|---|---|---|
| 1.   | Jméno a adresa výrobce<br>Manufacturer's name and address   | : | <b>PETLAS TIRE INDUSTRY<br/>AND TRADE COMPANY<br/>Kindam Mah.<br/>Ankara-Kayseri Cad. No.2/1<br/>40200 Kirsehir, TURKEY</b> |
| 2.   | Označení typu pneumatiky <sup>(2)</sup><br>Tyre type designation <sup>(2)</sup>   | : |   |
| 2.1  | Obchodní značka(y) / ochranná známka(y)<br>Brand name(s) / trademark(s)   | : | <b>PETLAS</b>   |
| 2.2  | Obchodní popis(y) / obchodní název(y)<br>Trade description(s) / Commercial name(s)  | : | <b>SNOWMASTER 2</b>   |
| 3.   | Název a adresa zástupce výrobce<br>(je-li potřebné)<br>If applicable, name and adress of<br>manufacturer's representative | : | <b>N/A</b>  |
| 4.   | Souhrnný popis<br>Sumarized description   | : |   |
| 4.1. | Označení rozměru pláště<br>Tyre size designation  | : | <b>185/65R15 REINFORCED</b>   |
| 4.2. | Kategorie užití<br>Category of use  | : | <b>normální / zimní / speciál / na-dojetí <sup>(1)</sup><br/>normal / snow / special / temporary-use <sup>(1)</sup></b>     |
| 4.3. | Konstrukce<br>Structure   | : | <b>diagenální/smíšená/radiální/run-flat <sup>(1)</sup><br/>diagonal/bias-belted/radial/run-flat-tyre <sup>(1)</sup></b>     |
| 4.4. | Kategorie rychlosti<br>Speed category symbol  | : | <b>H</b>  |
| 4.5. | Index nosnosti<br>Load capacity index   | : | <b>92</b>   |



- 4.6. Pneumatika s prodlouženou mobilitou : Ane / Ne (1)  
 Extended Mobility Tyre : Yes / No (1)
5. Homologační zkušebna a případně zkušební laboratoř schválená pro účely homologace nebo pro ověřování shodnosti : 8/E:  
 Technical service and where applicable, test laboratory additional approved purposes of approval or of verification of conformity : IGTT a. s. - Institut gumárenské technologie a testování, a.s.  
 Rubber Technology and Testing Institute, Comp.  
 Šternberská 446, Louky,  
 763 02 ZLÍN,  
 CZECH REPUBLIC
6. Datum protokolu, vydaného touto zkušebnou :  
 Date of report issued by that service : 31.01.2023
7. Číslo protokolu, vydaného touto zkušebnou :  
 Number of report issued by that service : D023-297
8. Důvod pro rozšíření (je-li potřebné) :  
 Reason (s) of extension (if applicable) : N/A
9. Poznámky :  
 Any remarks : N/A
10. Místo :  
 Place : Praha  
 Prague
11. Datum :  
 Date : 28.02.2023
12. Podpis :  
 Signature :   
 Václav Hořelka



13. K osvědčení je přiložen seznam dokumentů obsažených v homologačních podkladech uložených u homologačního orgánu, který udělil homologaci, a které lze obdržet na vyžádání.

Annexed to this communication is a list of documents in the approval file deposited at the Approval Authority which has considered this approval and which can be obtained upon request.

Seznam dokumentů  
 List of documents

- Žádost o udělení homologace / Request for approval
- Kótovaný profil pneumatiky / Dimensioned tyre cross-section
- Výkresy bočnice a běhounu pláště / Drawing of the tyre sidewalls and tread
- Protokol o zkoušce dle bodu 7. / The test report as mentioned in item 7.

(1) Nehodící se škrtněte  
 Delete that which does not apply

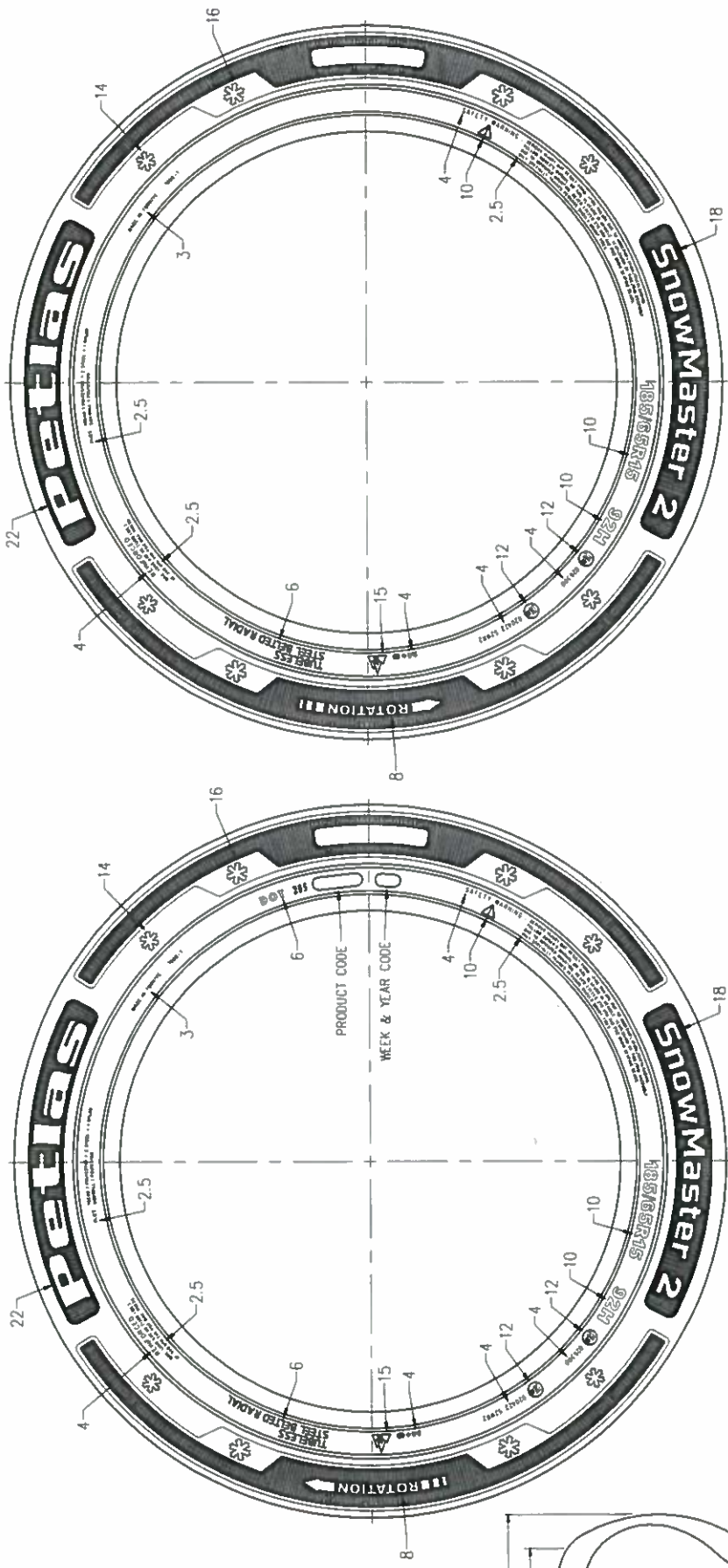
(2) Seznam značek / ochranných známek nebo obchodních popisů / obchodních názvů může být přílohou k tomuto osvědčení  
 A list of brand name(s)/trademark(s) or trade description(s)/commercial name(s) may be annexed to this communication

**APPLICATION FOR APPROVAL ECE No. 30**

4.1.1	Tyre-size designation	:	185/65 R15	
4.1.2	The manufacturer's name	:	PETLAS TIRE INDUSTRY AND TRADE COMPANY	
4.1.2.1	The Brand name(s)/trademark(s)	:	PETLAS	
4.1.2.2	The trade description(s)/commercial name(s)	:	SnowMaster 2	
4.1.3	Category of use (normal / snow / special use / temporary use)	:	SNOW	
4.1.3.1	For the tyres belonging to the category of use "special use tyre" those which may bear the inscription M+S or M.S or M&S."	:	YES	
4.1.4	Structure (diagonal(bias-ply) / bias belted / radial ply / run flat tyre)	:	RADIAL	
4.1.5	Speed category	:	H	
4.1.6	The load-capacity index	:	92	
4.1.7	Tube type / Tubeless	:	TUBELESS	
4.1.8	Standard / Reinforced / T-type temporary use	:	REINFORCED	
4.1.9	Whether the tyre is an EMT;	:	NA	
4.1.10	The ply-rating number of diagonal (bias-ply) tyres	:	NA	
4.1.11	Overall section width	:	189	mm
4.1.11	Outer diameter	:	621	mm
4.1.12	The rims on which the tyre can be mounted	:	5J; 5½J; 6J; 6½J	inch
4.1.13	The measuring rim and test rim	:	5.5J	inch
4.1.14	The test pressure	:	3.2	bar
4.1.15	Factor X	:	0.70	
4.1.16	For tyres suitable for speeds in excess of 300 km/h, the maximum speed permitted by the tyre manufacturer and the load carrying capacity allowed for that maximum speed.	:	NA	
4.1.17	The identification of the bead retention rim contours specific for the "flat tyre running mode" of "run flat tyres".	:	NA	

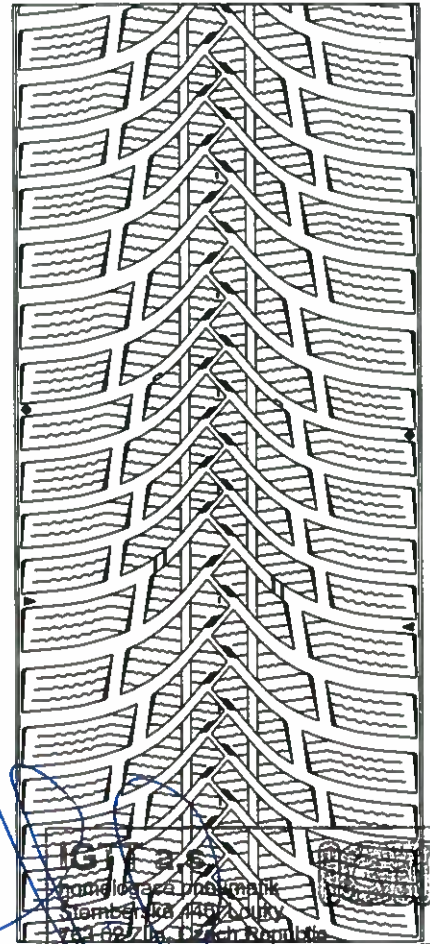
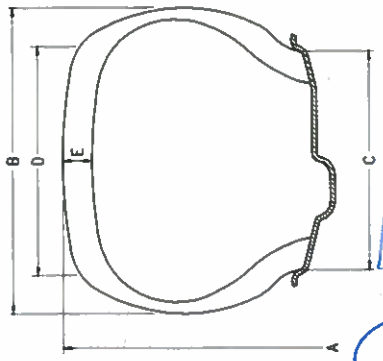
**IGTT a.s.**  
 homologace pneumatik  
 Šternberská 446, Louky  
 763 02 Zlín / Czech Republic  
 IČ/ID: 46900080 DIČ/VAT: CZ46500060



NON SERIAL SIDE

SERIAL SIDE



H	185/65R15	92	-	X	621	189	5.5	144	8.1	026300	020422	S2WR2	-
H	185/65R15	92	-	X	621	189	5.5	144	8.1	026300	020422	S2WR2	-
HIZ SINIFI (SPEED CAT.)	YUK KAPASITE INDEKSI (LOAD CAP. INDEX)	TIP (TYPE)	Ç LASTIK (TUBETYPE)	Ç LASTIKSIZ (TUBELESS)	A	B	C	D	E	ONAY NO. (APPROVAL NO.)	ONAY NO. (APPROVAL NO.)	AKILAMA (REMARKS)	
					mm	mm	inches	mm	mm	Ea R-30	Ea R-17		

SIRT DESENİ (TREAD PATTERN) : SnowMaster 2 SIRT (TREAD) : 1 POLYESTER + 2 STEEL + 1 NYLON YANAK (SIDEWALL) : 1 POLYESTER	RESİM NO. (DRAWING NO.)	TARİH (DATE)	KONTROL (CHECKED)
	PKT-13696	01.02.2023	BAŞKAN E. D. A.





**TYPE APPROVAL TEST REPORT**

REPORT NO: D023-297

**TYRE SPECIFICATION**

Manufacturer Name	: PETLAS TIRE INDUSTRY AND TRADE CO.	Speed Category Symbol	: H
Manufacturer Address	: KINDAM MAH.ANKARA KAYSERI CAD. NO 2/1 KIRŞEHİR / TURKEY	Reinforced/Normal	: REINFORCED
Brand	: PETLAS	Category of Use	: SNOW
Pattern Name	: SNOWMASTER 2	TT/TL	: TL
Product Code	: 216400	Date of Manufacture	: 0223
Size Designation	: 185/65 R15	Barcode Number	: 88125403
Load Capacity Index	: 92	Approval Number	: E8 026300

**TEST AND EQUIPMENT SPECIFICATION**

Test Tyre Receiving Date	: 27.01.2023
Test Date	: 29.01.2023
Reference Regulation	: UN Regulation No 30
Petlas Test Code	: 5000
The Tests Conducted	: 1 - Marking Control <input checked="" type="checkbox"/> 2 - Dimensions Measurement <input checked="" type="checkbox"/> 3 - Load/Speed <input checked="" type="checkbox"/>
Test Machine Name (Drum Diameter)	: ASM-2 (1.707 m)
Pressure Gauge Calibration No	: 2214798
Caliper Calibration No	: 2213858
Tape Measure Calibration No	: 2213870
Test Rim	: 5.5JX15
Test Technician	: S.Ö.

**CUSTOMER INFORMATION**

Name	: Same as Manufacturer
Address	: Same as Manufacturer

**TYRE VISUAL INSPECTION RESULT BEFORE TEST**

Tyre was inspected and any evidence of failure was not detected.

Controlled by;

AYHAN UMUCU  
Tyre Test Team Leader  
30.01.2023



Approved by;

EKREM TURNA  
Tyre Testing Laboratory Chief  
31.01.2023



**TYPE APPROVAL TEST REPORT**

REPORT NO: D023-297

**TEST 1 - MARKING CONTROL**

Trade name or Mark	YES <input checked="" type="checkbox"/>	NO <input type="checkbox"/>	N/A <input type="checkbox"/>
Commercial/Pattern Name Marking	YES <input checked="" type="checkbox"/>	NO <input type="checkbox"/>	N/A <input type="checkbox"/>
Tyre Size Designation Marking	YES <input checked="" type="checkbox"/>	NO <input type="checkbox"/>	N/A <input type="checkbox"/>
Tyre Structure Marking	YES <input checked="" type="checkbox"/>	NO <input type="checkbox"/>	N/A <input type="checkbox"/>
Speed Category Symbol Marking	YES <input checked="" type="checkbox"/>	NO <input type="checkbox"/>	N/A <input type="checkbox"/>
Load Capacity Index Marking	YES <input checked="" type="checkbox"/>	NO <input type="checkbox"/>	N/A <input type="checkbox"/>
"Reinforced" or "Extra Load" marking in case of reinforced tyre	YES <input checked="" type="checkbox"/>	NO <input type="checkbox"/>	N/A <input type="checkbox"/>
"ZR" marking for excess of 300 km/h	YES <input type="checkbox"/>	NO <input type="checkbox"/>	N/A <input checked="" type="checkbox"/>
"M+S" marking in case of "Snow" or "Special Use" tyre	YES <input checked="" type="checkbox"/>	NO <input type="checkbox"/>	N/A <input type="checkbox"/>
"POR" or "ET" marking in case of Special Use Tyre	YES <input type="checkbox"/>	NO <input type="checkbox"/>	N/A <input checked="" type="checkbox"/>
"TUBELESS" marking in case of without inner tube use	YES <input checked="" type="checkbox"/>	NO <input type="checkbox"/>	N/A <input type="checkbox"/>
Runflat Markings (small symbol and F before rim diameter)	YES <input type="checkbox"/>	NO <input type="checkbox"/>	N/A <input checked="" type="checkbox"/>
Date of Manufacture	YES <input checked="" type="checkbox"/>	NO <input type="checkbox"/>	N/A <input type="checkbox"/>
Approval Number Marking	YES <input checked="" type="checkbox"/>	NO <input type="checkbox"/>	N/A <input type="checkbox"/>

**RESULT:** The tyre markings are fulfill the reference regulation requirements.

**TEST 2 - DIMENSIONS MEASUREMENT**

Conditioning	: 24 hours at 25 ± 5 °C
Inflation Pressure (kPa)	: 220
Overall Width Measurements (mm)	: 190,5 / 190,1 / 190,0 / 190,2 / 190,0 / 190,0
TWI (Tread Wear Indicator) (mm)	: 2,08 / 2,02 / 1,96 / 1,86 / 2,05 / 2,02
Maximum Circumference (mm)	: 1958

PARAMETERS	LIMIT VALUES (mm)	MEASURED VALUES (mm)
Nominal Overall Width-S	189,0	190,5
Maximum Overall Width-Smax	197,0	
Nominal Outer Diameter-D	621,0	623,2
Minimum Outer Diameter-Dmin	614,0	
Maximum Outer Diameter-Dmax	637,0	
Minimum TWI	1,6	1,9
Maximum TWI	2,2	2,1

**RESULT:** The dimensions are fulfill the reference regulation requirements.

**TEST 3 - LOAD / SPEED TEST**

Conditioning	: 3 hours at 25 ± 5 °C
Inflation Pressure (kPa)	: 320

**Test Procedure**

Date/Time	Test Step No	Duration (min.)	Test Load (kg)	Test Speed (km/h)	Control
29.1.2023 22:23	0	0	0	0	S.Ö.
	1	10	448	0 - 170	
	2	10	448	170	
	3	10	448	180	
29.1.2023 23:23	4	10	448	190	
	5	20	448	200	S.Ö.

**RESULT:** Tyre completed the load/speed test without any failure.

**FINAL RESULT:** THE TYRE PASSED ALL TESTS ACCORDING TO THE REFERENCE REGULATION

**PASSED**

Controlled by:  
AYHAN UMUCU  
Tyre Test Team Leader  
30.01.2023  
*[Signature]*



Approved by:  
EKREM TURNA  
Tyre Testing Laboratory Chief  
31.01.2023  
*[Signature]*