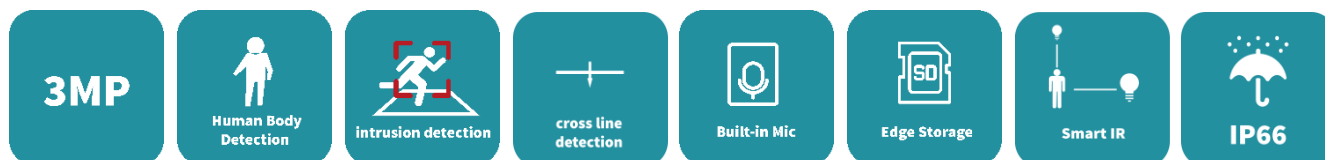


3MP HD Outdoor Pan & Tilt Wi-Fi Camera

Uho-P1A-M3F4D



Key Features



- High quality image with 3MP, 1/2.8"CMOS sensor
- 2304*1296@20fps in the main stream
- Ultra 265, H.265, H.264
- Support digital WDR (Wide Dynamic Range)
- Built-in Mic & Speaker, support two-way audio, offer better interaction
- Support sound and light warning, makes warning and alarming more noticeable
- Smart IR, up to 30 m (98 ft) IR and 10m (33 ft) warm light distance, suitable for more scenes
- Self-contained bracket, support two kinds of mounting
- Supports 256 GB Micro SD card
- Wi-Fi connection and easy installation
- IP66 ingress protection
- The front face is made of grapheme, which has better heat dissipation and more environmental protection

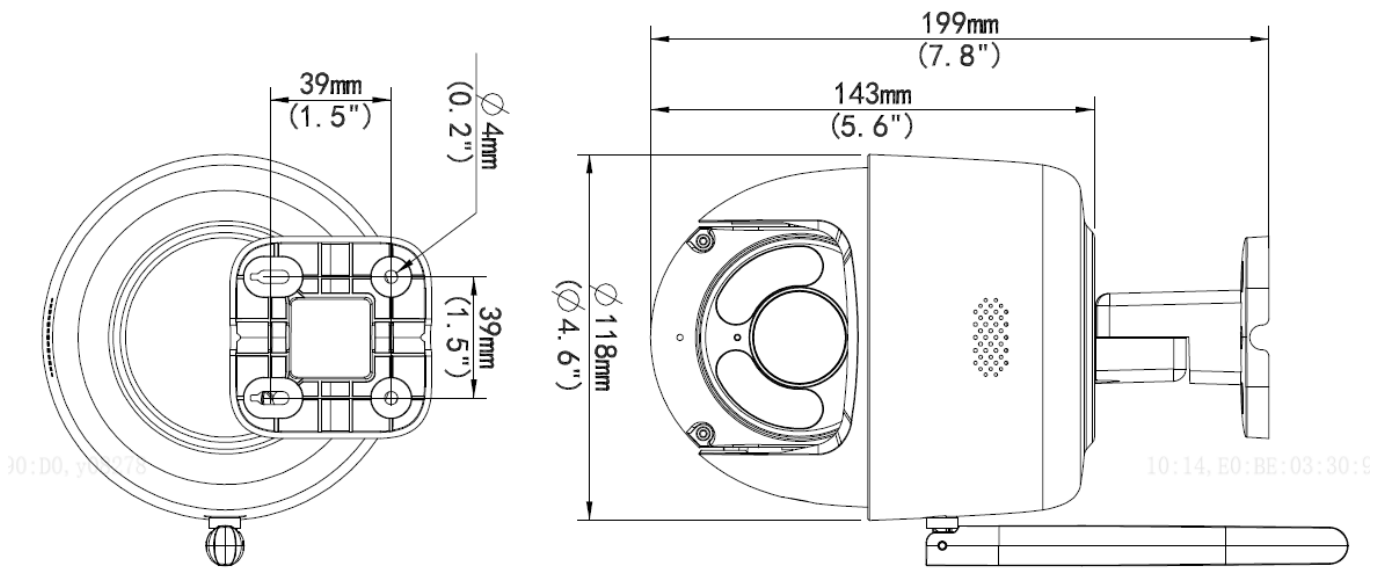
Specifications

Camera					
Uho-P1A-M3F4D					
Sensor					
1/2.8" progressive scan, 3.0 megapixel, CMOS					
Min. Illumination					
Colour:0.005 lux (F1.6,AGC ON) 0 lux with IR					
Day/Night					
IR-cut filter with auto switch (ICR)					
Shutter					
Auto/Manual, shutter time: 1s ~ 1/100000s					
WDR					
Digital					
S/N					
>52 dB					
Lens					
Lens type					
4mm@F1.6					
Digital Zoom					
4					
Iris					
Fixed					
Field of View (H)					
90.5°					
Field of View (V)					
44.4°					
Field of View (D)					
111.3°					
DORI					
DORI Distance					
Lens (mm)		Detect (m)		Observe (m)	
4mm		73.5 (241.0ft)		29.4 (96.4ft)	
		Recognize (m)		Identify (m)	
		14.7 (48.2ft)		7.3 (24.1ft)	
Illuminator					
IR Range					
Up to 30m (98ft)					
Warm Light Range					
Up to 10m (33ft)					
Wavelength					
850nm					
IR On/Off Control					
Auto/Manual					
Video					
Video Compression					
Ultra 265, H.265, H.264					
Frame Rate					
Main Stream: 3MP (2304*1296), Max 20fps; Sub Stream: 640*360, Max 20fps;					
Video Bit Rate					
128 Kbps~6144 Kbps					
ROI					
Up to 8 areas					
Video Stream					
Dual streams					
OSD					
Up to 2 OSDs					
Privacy Mask					
Up to 4 areas					
Image					
White Balance					
Auto/Outdoor/Fine Tune/Sodium Lamp/Locked/Auto2					
Digital Noise Reduction					
2D/3D DNR					
Smart IR					
Support					
Flip					
Normal/Flip Vertical/Flip Horizontal/180°					
HLC					
N/A					
BLC					
N/A					
Defog					
Digital Defog					
Events					
Basic Detection					
Cross line, intrusion(based on human body detection), Human body detection, Motion detection, Audio detection					

Auto tracking	Support
General Function	IP address filtering, Access policy, ARP protection, RTSP authentication, User authentication, HTTP authentication
Audio	
Audio Compression	G.711U,G.711A
Audio Bitrate	64 Kbps
Two-way Audio	Support
Suppression	Support
Sampling Rate	8 kHz
Storage	
Edge Storage	Micro SD, up to 256 GB
Network Storage	ANR
Network	
Wi-Fi	2.4G Wi-Fi (IEEE802.11b/g/n), built-in antenna
Protocols	IPv4, TCP, UDP, DHCP, RTSP, DNS, DDNS, NTP, HTTP
Compatible Integration	API
Client	Uniarch Client Uniarch APP
Web Browser	Plug-in required live view: IE 10 and above, Chrome 45 and above, Firefox 52 and above, Edge 79 and above
	Plug-in free live view: Chrome 57.0 and above, Firefox 58.0 and above, Edge 16 and above
Pan & Tilt	
Pan Range	0° ~ 345°
Pan Speed	1°/s ~ 40°/s
	Preset speed: 40°/s
Tilt Range	0° ~ 90°
Tilt Speed	1°/s ~ 30°/s
	Preset speed: 30°/s
Number of Presets	20
Home Position	Support
Interface	
Built-in Mic	Support
Built-in Speaker	Support
Wi-Fi	Support
Network	1 * RJ45 10M/100M Base-TX Ethernet
Certifications	
EMC	CE EMC (EN 55032,EN 61000-3-3,EN IEC 61000-3-2,EN 50130) FCC (FCC 47 CFR part15 B)
RF	FCC ID (FCC CFR 47 part15 C) CE RED (EN 301 489-1, EN 301 489-17, EN 300 328, EN 62311)
Safety	CE LVD (EN 62368-1)
Environment	CE-RoHS (2011/65/EU;(EU)2015/863); WEEE (2012/19/EU)
Protection	IP66 (IEC 60529)
General	
Power	DC 12V ± 25%
	Power consumption: Max 10.0W
Power Interface	Ø 5.5mm coaxial power plug

Dimensions (Ø x H)	Φ118mm*118mm*199mm (Φ4.6"x 4.6"x 7.8")
Weight	0.53kg (1.17lb)
Working Environment	-30°C ~ 60°C (-22°F to 140°F), Humidity: ≤95% RH(non-condensing)
Surge Protection	4KV
Reset Button	Support
LED indicator	1, red/green

Dimensions



No. 369, Xietong Road, Xixing Sub-district, Binjiang District, Hangzhou City, 310051, Zhejiang Province, China

www.uniview.com/uniarch

©2023 Zhejiang Uniview Technologies Co., Ltd. All rights reserved.

*Product specifications and availability are subject to change without notice.