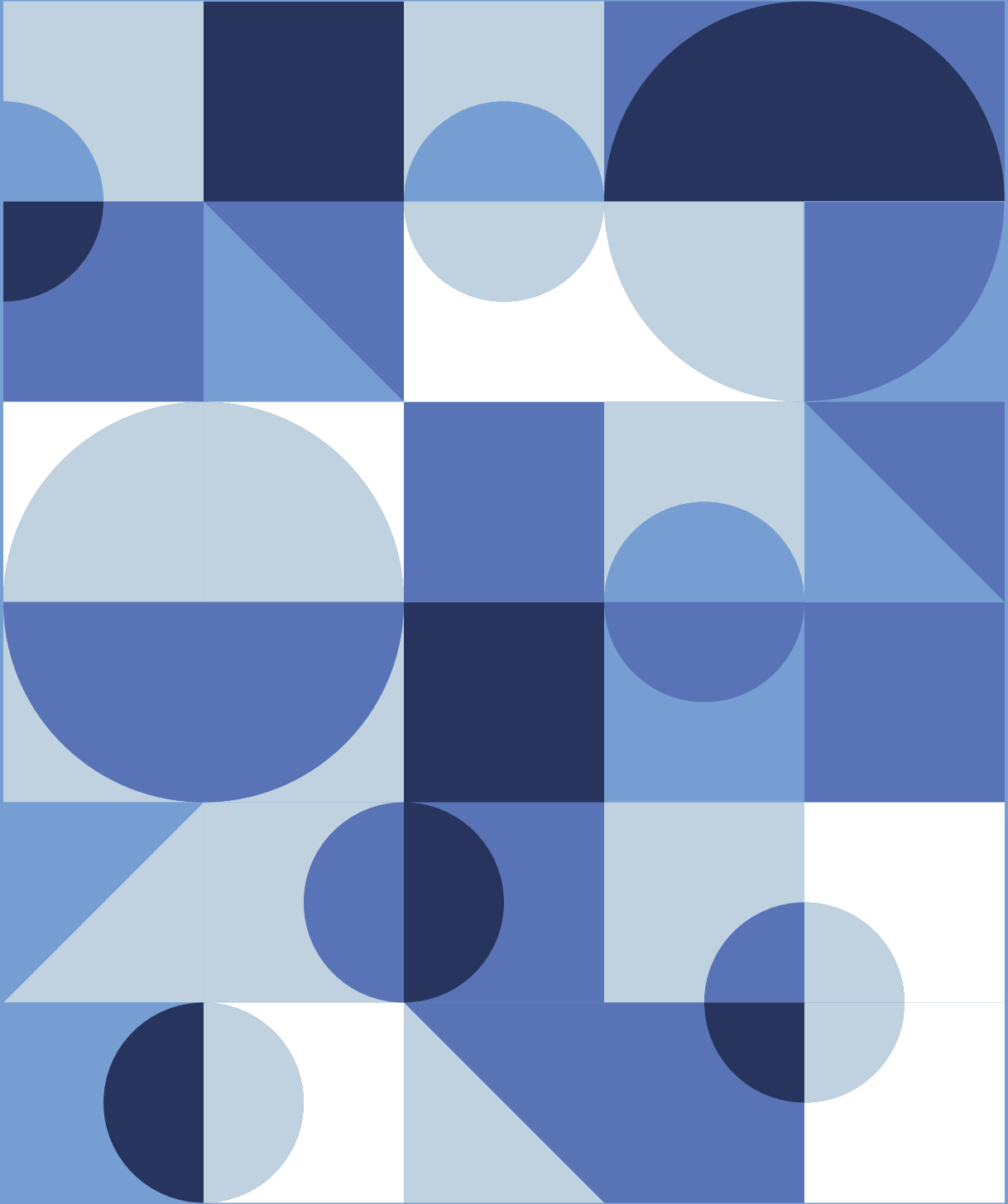


trident



Discover a world of images

X-VIEW 2D PAN

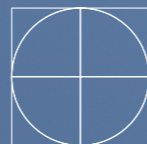
2D PAN

Efficient and modern digital radiographic system to provide doctors with an extremely useful tool for accurate diagnostics and successful treatments.

X-VIEW 2D PAN

X-VIEW

trident



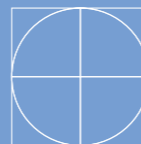
trident-dental.com

HIGHLIGHTS

- CMOS Scanning detector
- Optimal focal trough
- High Frequency DC X-Ray generator
- Space-saving structure
- Elegant and compact Italian design



trident



X-VIEW 2D PAN

trident-dental.com

EXCEPTIONAL FEATURES NOT SEEN AT FIRST SIGHT

ONE

CMOS SENSOR FOR 2D IMAGES

Complementary Metal Oxide Semiconductor (CMOS) sensor offers:

- Higher Sensitivity due to the latest pixel architecture which is beneficial in lower light applications
- Lower dark noise that contributes to a higher fidelity image
- The pixel well depth (saturation capacity) is improved providing higher dynamic range
- Lower Power consumption (eco-green)

TWO

ADVANCED 2D AND CEPH SOFTWARE FUNCTIONS

Full connectivity to easily export, share and store images.

Uses Deep-View software and the same database for both 2D and Ceph programs.

DEEP-VIEW IMAGE SUITE FOR 2D AND CEPH IMAGES

Software for intuitive navigation with advanced functions that allow to scan, display, filter and obtain thousands of high-definition images.

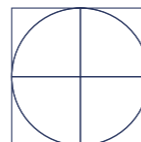
- Bridge function
- DICOM compatibility and exporting images into graphic formats: .jpg, .png, .bmp
- Multiple database management

DFO: DENTAL - FACIAL - ORTHOPEDICS (OPTIONAL)

Software for orthodontic tracing and cephalometric analysis.

- Differential Analysis
- Orthodontic Analysis
- Images stored in DICOM format
- Interactive Tutor
- Layer-based Analysis

trident



THREE

TWO DETECTORS FOR WORKFLOW OPTIMIZATION

A CMOS sensor for 2D images and a dedicated DR flat panel detector with single shot technology for cephalograms.

The DR (Digital Radiography) detector is the highest quality technology available to obtain sharp Ceph images.

DR CEPH DETECTOR ADVANTAGES

- Better contrast
- More details and filtering
- No background disturbance
- Exposure time: 200-500 ms
- Reading time: immediate
- Detector-PC image transmission: 2sec
- Calibration method: easy intuitive and manageable from remote

SINGLE SHOT TECHNOLOGY

Significantly reduces exposure time without negatively affecting the quality of the image, capturing images in a very short time .

- Avoids prolonged exposure to radiation and blurred images
- Prevents the complications deriving from the mechanical movement of scanning-systems

AND MUCH MORE

7-INCH COLOR TOUCHSCREEN

The LCD display enables users to directly interact with the unit.

The ideal size of the display allows a quick and intuitive navigation through the menu.

The menus are very simple to browse through. Universally recognized Icons indicate the functions, parameters, and options available. All instructions are multilingual and in a user-friendly language guide users in the right path.

On-screen commands simplify the choice of patient type and exam, exposure parameters, speed of movement, and patient positioning.



trident-dental.com

QUICK AND EASY PATIENT POSITIONING

X-VIEW 2D PAN provides great stability to patients, quick access and a natural body position.

Ergonomics in design helps to achieve the perfect focal trough and correct patient's posture. The specially designed tools assist patients, during the acquisition process, to maintain their position avoiding errors in the procedures:

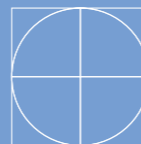
- The bite block centers the teeth by aligning the arches, positioning the incisors on the focal plane, and allowing vertical symmetry
- Two laser lines trace the references of the area of interest, while the mirror located in front of the bite-block helps patients to control their position

X-VIEW 2D PAN adapts to all sizes and types of patients, the linear and open design facilitates access for wheelchair users.

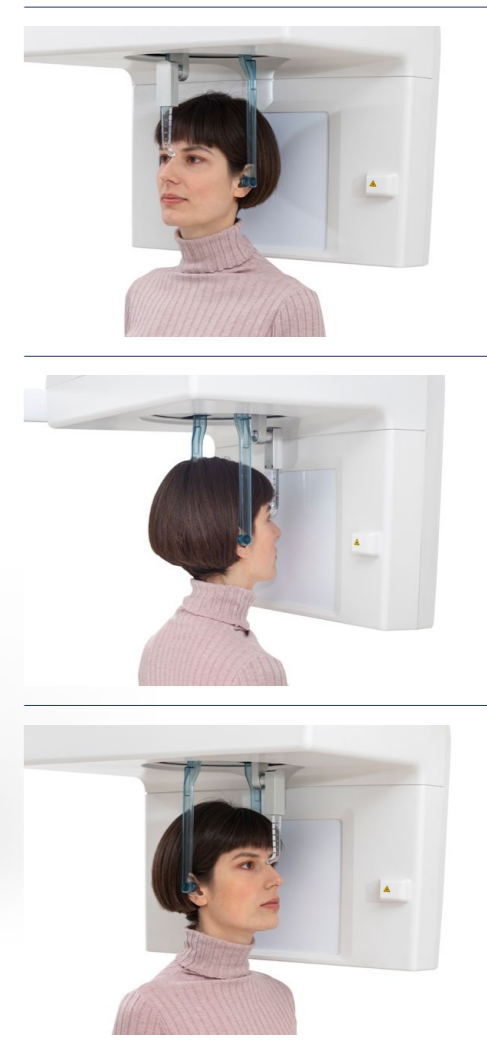
The X-VIEW 2D PAN motorized lifting with two speeds makes patient positioning easier than ever. The quick movement allows adjustment of the unit to the patient height; with the slow movement a precise alignment is achieved using the laser.

The double laser is an essential tool to get the perfect inclination and orientation of the patient's head. The chin rest helps to achieve an accurate focal plane for very low risk of error in diagnostic images.

trident



X-VIEW 2D PAN



trident-dental.com

Available in three models, X-VIEW 2D PAN system combines the latest advances in digital radiology with a clean and compact design to offer complete and affordable imaging solutions.



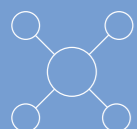
PRECISE DIAGNOSTICS

Images obtained with X-VIEW 2D allow more precise diagnostics.



ACCURATE IMAGES

Thanks to its evolved functions, trajectories, and collimations applicable to each exam, images are full of details and contrast.



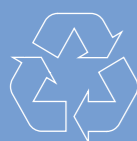
HIGH CONNECTIVITY

The software offers an expanded set of tools to easily manage, save, export and share images.



LOW RADIATION DOSE

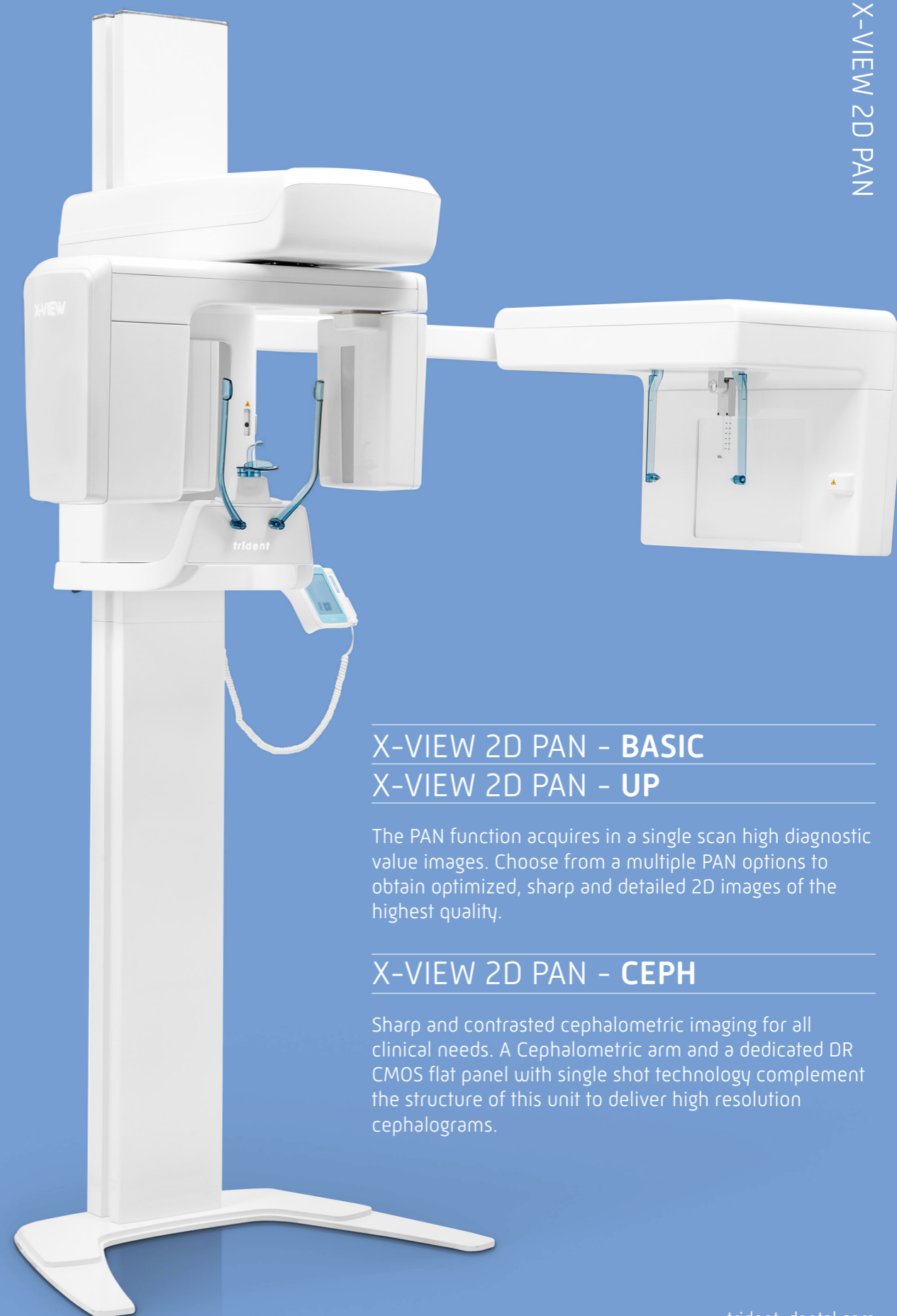
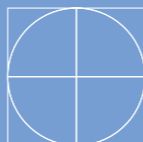
The high frequency generator and the pulsed emission adjust the exposure adapting the dose to the dimensions of the examined area without compromising image quality.



GO-GREEN AND SAFE PACKAGING

Thanks to the new detachable column, the unit is safely packed using only one triple wall corrugated 120 * 80 * h120 cm cardboard box. It is a sustainable packaging, using materials and manufacturing techniques that diminish energy use and reduce the harmful impacts of packaging on the environment.

trident



X-VIEW 2D PAN

X-VIEW 2D PAN - BASIC
X-VIEW 2D PAN - UP

The PAN function acquires in a single scan high diagnostic value images. Choose from a multiple PAN options to obtain optimized, sharp and detailed 2D images of the highest quality.

X-VIEW 2D PAN - CEPH

Sharp and contrasted cephalometric imaging for all clinical needs. A Cephalometric arm and a dedicated DR CMOS flat panel with single shot technology complement the structure of this unit to deliver high resolution cephalograms.

trident-dental.com

X-VIEW 2D PAN - BASIC

This is the basic model of the X-VIEW family and is dedicated to doctors switching from an intraoral to an extra-oral digital imaging system in an affordable and efficient way. It was developed for the specific acquisition of 2D panoramic images. This unit is quite easy to operate, with intuitive functions for amazing results.

CMOS FLAT PANEL SENSOR
30x15 CM 2D ADULT PANORAMIC
EASY INSTALLATION
LOW MAINTENANCE
LOW INITIAL INVESTMENT COST

ADVANTAGES OF PANORAMIC IMAGES

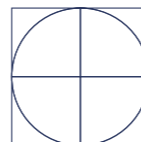
More comfort for patients since Panoramic X-rays are extraoral and simple to perform. Improved Care. A panoramic X-ray allows the view of the head, neck, and jaw, and how they work together as a whole, which means doctors can more easily:

- Assess patients with an extreme gag reflex
- Evaluate the progression of TMJ
- Expose cysts and abnormalities
- Expose impacted teeth
- Expose jawbone fractures
- Plan treatment (full and partial dentures, braces and implants)
- Reveal gum disease and cavities

Deep-View software delivers clear and plenty of details panoramic exams providing doctors with an efficient tool for specialized procedures in endodontics, orthodontics, implantology and maxillofacial surgery.



trident



X-VIEW 2D PAN - UP

X-VIEW 2D PAN UP grows along with the workflow. This model is ideal for doctors who plan the growth of their dental practice by including the advantages of cephalometric imaging. X-VIEW 2D PAN UP, born as a 2D Basic model with the specific mechanical and user interface dispositions to articulate the cephalometric option in a second stage.

LOW RADIATION DOSES
LESS EXPOSURE TIME
VARIABLE FIELD COLLIMATOR
CMOS FLAT PANEL SENSOR
30x15 cm ADULT PANORAMIC IN 15.5 SEC
30x13 cm CHILD PANORAMIC IN 14.8 SEC

Due to the broad coverage of panoramic X-ray (ear-to-ear two-dimensional view of both the upper and lower jaw) doctors can visualize some structures that affect more than the patient's oral health, but

also general health, among them, there are the calcified stylohyoid complex, arterial calcifications and other soft tissues calcifications.



trident-dental.com

X-VIEW 2D PAN – CEPH

The 2-in-1 model of the X-VIEW family is a multifunctional and integrated system that makes the advantages of 2D and cephalometric imaging within reach of the general dentists, periodontists, orthodontics and other specialists working from medium offices to hospitals and clinics.

X-VIEW 2D PAN CEPH incorporates a high-frequency generator and a noise- and imperfection-free image acquisition system, to obtain high quality clinical radiographies.



2D PAN FUNCTION

The standard panoramic program provides a precise definition of the dental anatomy in just 15 seconds allowing:

- Overall evaluation of dentition
- Examine for intraosseous pathology, such as cysts, tumors, or infections
- Gross evaluation of temporomandibular joints
- Evaluation of position of impacted teeth
- Evaluation of eruption of permanent dentition
- Dentomaxillofacial trauma
- Development disturbances of maxillofacial skeleton

CEPH FUNCTION

24x30 cm PA, LL cephalograms
Carpus images

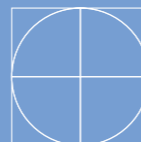
- Describes the patient's dento-facial morphology
- Quantitatively describes the morphological deviations
- Obtains orthodontics diagnosis and treatment planning
- Performs Maxillofacial surgery
- Elaborates Airway analysis
- Analyzes the skeletal and dental abnormalities
- Evaluates treatment results
- Predicts growth related changes

30x15 cm ADULT PANORAMIC IN 15.5 SEC

30x13 cm CHILD PANORAMIC IN 14.8 SEC

24x30 AP/LL CEPHALOGRAMS

CARPUS IMAGES



trident

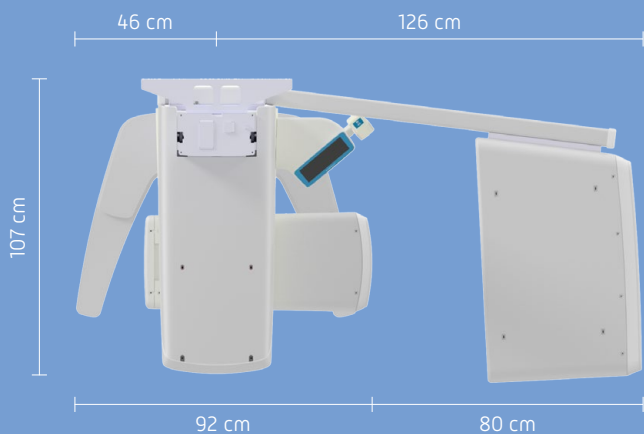
TECHNICAL DATA

		2D PAN BASIC/UP	CEPH DR
X-RAY GENERATOR	Type	High Frequency DC Generator	
	Operative Mode	Direct	
	Tube Voltage	61-85 KvP	
	Anode Current	5-10 mA	
	Focal Spot	0.5 mm	
DETECTOR	Type	CMOS Detector	One Shot, Digital CMOS Sensor
	Area in mm	150x7	300x240
	Pixel Size	100 µm	125 µm
	Number of Pixel	1500x68	2448x2048
	Scintillator	CsI	
ACQUISITION	Exposure Time	4.4-15.5 s	200-500 ms with Immediate scanning
PROGRAMS	Standard	Adult/Child Standard Panoramic Adult/Child Hemi Panoramic Frontal Dentition TMJ closed/open mouth 2D Sinus	LL CEPH 30x24 AP CEPH Carpus images
	Optional 2D Exams	Reduced Dose Improved Orthogonality Right Bitewing	Left Bitewing Right and Left Bitewing
DIMENSIONS	Height [cm]	223.5	
	Weight [Kg]	110	25
SOFTWARE	Acquisition	Deep-View Multiuser	
	Optional	DICOM 3.0-Print only DICOM 3.0 - Full (Base, CD, Worklist, Print) DFO for Cephalometric Analysis	
	Image Format	JPEG, BMP, PNG, TIFF, DCM	

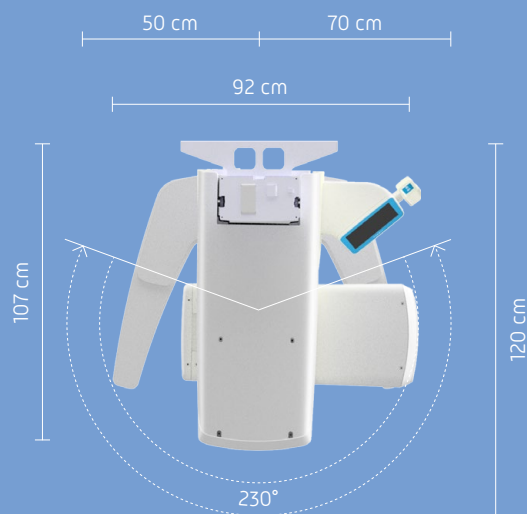
EXAMS

2D PAN							
	Standard PAN	Hemi PAN right	Hemi PAN left	Frontal Dentition	TMJ closed mouth	TMJ open mouth	Sinus
OPTIONAL 2DPAN							
	Reduced Dose Panoramic	Improved Orthogonality Panoramic	Right Bitewing	Left Bitewing	Right and Left Bitewing		
CEPH							
	Latero-Lateral 30x24	Antero-Posterior	Carpus Image				

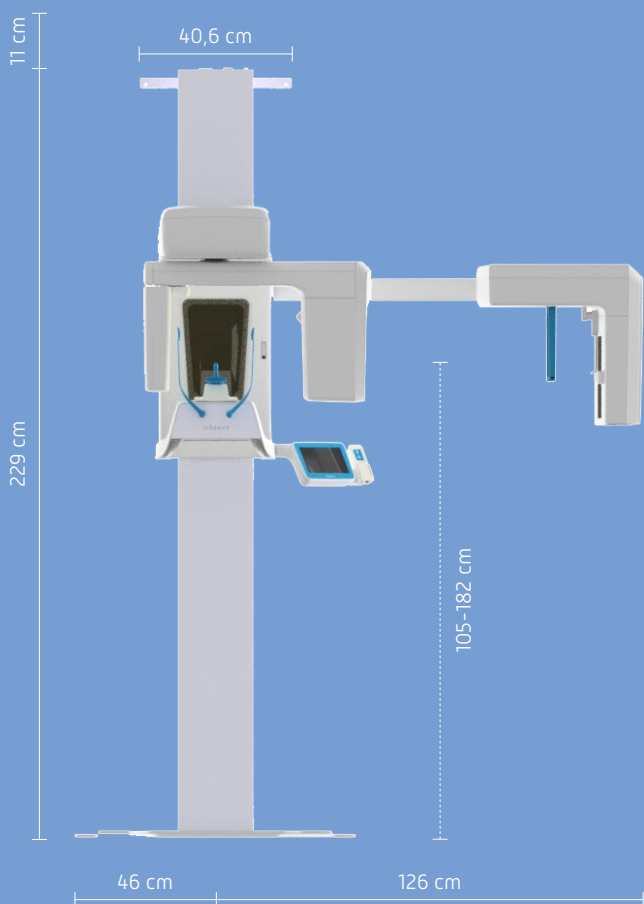
X-VIEW 2D PAN CEPH



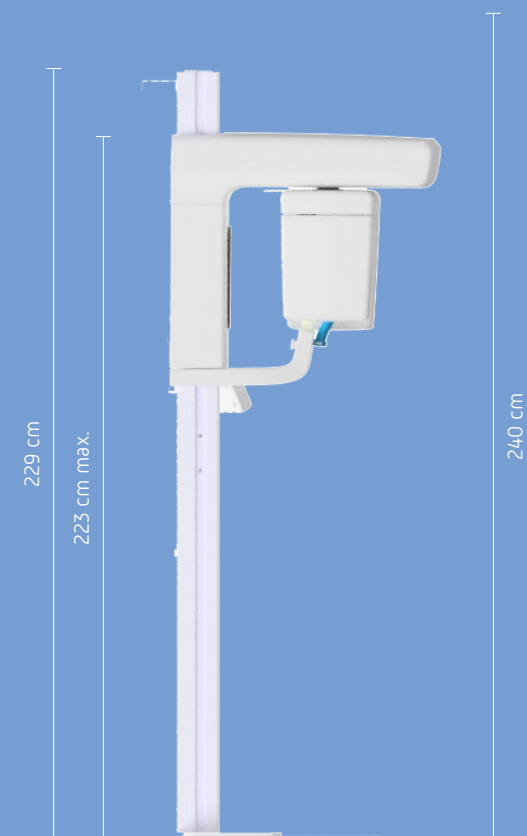
X-VIEW 2D ONLY/2D PAN UP



X-VIEW 2D PAN CEPH



X-VIEW 2D ONLY/2D PAN UP



Trident S.r.l.

Via Artigiani, 4 25014 Castenedolo
 Phone +39 030 2732485
 info@trident-dental.com

www.trident-dental.com

OBTAIN IMPRESSIVE IMAGES

Match RiX70 DC high frequency X-Ray generator with any of the Trident image receptors and get more than you could have ever imagined.



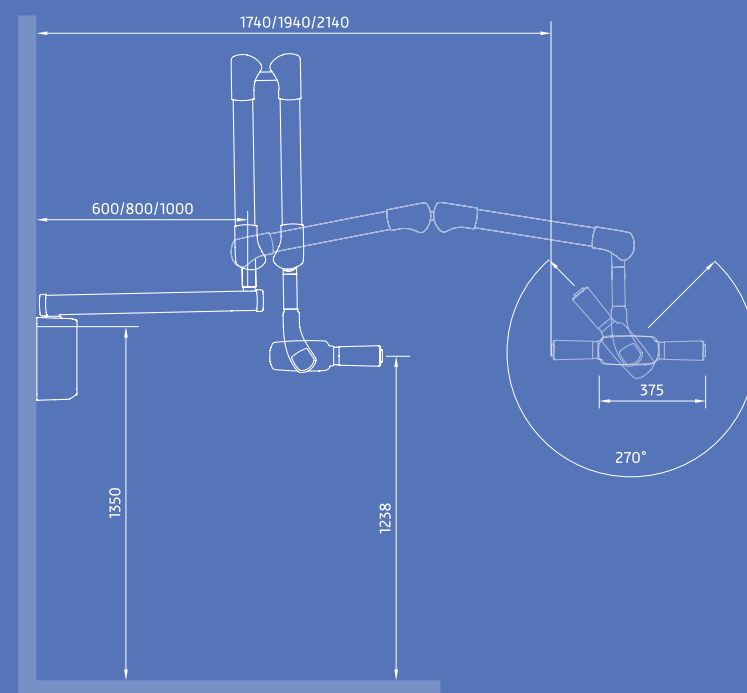
Trident phosphor plates

I-View Gold CMOS sensor

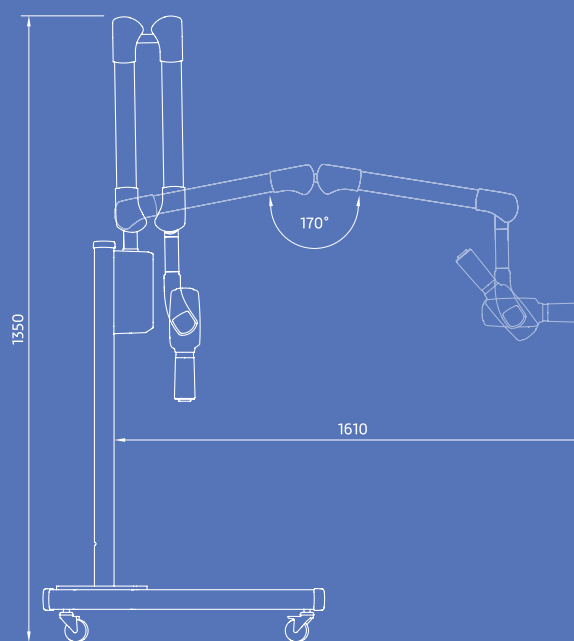
I-View Silver CMOS sensor

SYSTEM SUPPLY		
Supply Voltage	AC100-240V	
Frequency	50/60 Hz	
Electric current	2.7 A @ 240V , 6.4 A @ 100V	
Max Power Consumption	640VA [3 AT fuse]	
X-RAY GENERATOR		
Tube Voltage	60 kVp ± 8% - 65 kVp ± 8% - 70 kVp ± 8%	
Frequency	75 kHz	
Anodic current	7 mA ± 10%	
Output radiation linearity	< 0.2 according to IEC 60601-2-63	
Duty cycle	1:30	
Nominal power	490 W [70 kVp - 7 mA]	
Total filtration	1.5 mm Al eq. @ 70 kVp	
Focal spot	0.4 mm [IEC 60336]	
Leakage radiation at 1 m	<0,1 mGy/h	
Max thermal capacity of monoblock	130J (convection oil bath cooling)	
Distance focus to skin	20 cm	
Beam diameter X Ray at 200 mm	60mm (optional 36 x 45 mm rectangular collimator)	
X-RAY TUBE		
Manufacturer	Canon	Skon X - CEI (Italy)
Model	D-045	OX70-4
Inherent filtration	< 1 mm Al eq.	0.5 mm Al eq.
Filament current	Max. 3 A	1.5 - 2.1 A
Focal spot	0.4 IEC 60336:2005	
Target material	Tungsten	
Max nominal voltage	70 kV	

WALL MOUNTED VERSION



MOBILE VERSION



Trident S.r.l.
Via Artigiani, 4 25014 Castenedolo
Phone +39 030 2732485
info@trident-dental.com

trident

www.trident-dental.com

T004-EN-RT-RiX70 DC

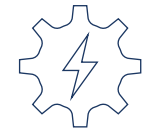
RiX70 DC High frequency intraoral X-Ray generator



Discover a world of images

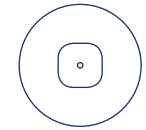
trident

INSIDE RiX70 DC



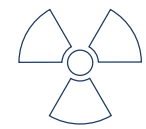
AUTOMATIC VOLTAGE TRANSFORMER

RiX70 DC appropriately works in a range of 100 to 240 V. The electrical system automatically detects the power wattage, allowing a safe and proper functioning with every voltage.



0.4 MM FOCAL SPOT

The base for an accurate diagnostic is a good image. RiX70 DC with focal spot 0,4 mm gives you incredibly clear images with a high contrast range.



REDUCTION OF RADIATION DOSE

The high frequency generator allows radiation stability eliminating the soft radiation that does not produce images but can be harmful for the patient.



TUBE VOLTAGE SELECTOR

RiX70 DC operates either 60, 65 or 70 kV allowing to reach excellent results to satisfy your needs: Voltage 60 kV for caries detection or periodontal applications; 70 kV for endodontic applications, including visualization of canals, detection of root fractures and diagnosis of periapical lesions due to pulpal inflammation.



AUTOMATIC SETTING OF EXPOSURE TIME

From 0.01 to 2.0 seconds, depending on the patient and tooth characteristics

FOR BETTER RESULTS, YOU CAN EASILY:

- Select the exposure parameters according to the patient morphology, tooth type and image receptor.
- Adapt the radiation dose to lower or higher values.
- Modify the exposure time for digital or film.

Discover a world of images

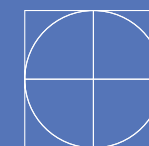
OPTIONAL



35x43 mm
RECTANGULAR COLLIMATOR

REMOTE
TIMER

Install the remote timer outside the X-ray room. Conveniently set the exposure parameters, type of tooth, patient and image receptor and, safely shoot the X-ray. Only available for the wall mounted version. All local command devices are not necessary (control with coiled cord and the small keypad in the tube head support)



MODERN DESIGN FOR PRACTICAL OPERATION

- Compact and light tubehead.
- Steady and strong support arm.
- Hand switch with 3 mt coiled cord.
- Additional keypad installed near the tube head, for manual adjustment of the exposure time and tooth type.
- Easy-to-read main control panel, with quickly identifiable icons.
- Easy and fast installation system.
- Available in wall mounted and mobile version.
- Length of the arm 60 and 80 cm.

MOBILE



WALL MOUNTED



trident

I-View Gold

CMOS INTRAORAL SENSOR

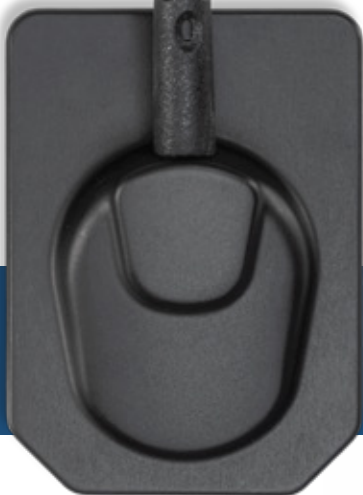
Trident proudly introduces the most advanced technology to obtain intraoral images in less time with less radiation exposure.

I-ViewGold is perfect to get better results in no time. The sensor covers a wide range of exposure setting, capturing a consistent and diagnosable image under any conditions.

Combine I-ViewGold with your traditional X-Ray generator and obtain incredibly detailed images.



Size 1
20 x 30 mm
active area



Size 2
26 x 36 mm
active area

Two sizes

Thinner body and even surface

Rounded corners for a comfortable and easy positioning

Water-resistant

Practical cover to protect the active area from scratches and damages.



I-View Gold



Dimensions

Size 1 25.4 x 36.8mm
Size 2.0 31.3 x 42.9mm



Specifications

Detector CMOS
Pixel size 18 μ m
Theoretical Resolution 28 lp/mm
Dynamic Range 12 bit



Deep View 4[®] Software

New generation of Deep-View software, designed to efficiently create, organize store and share, your patients' data files and images

- Multiple database management
- Easy images acquisition device configuration
- Advanced image filters
- Wide choice and customization of templates for Full Mouth Series exams
- Simulation of implant measurement and medical reports with teething preview
- Voice guidance option for image acquisition
- Images import/export in DICOM and other graphic formats
- Printing images with layout customization

Direct USB connection
2.7 m cable length

Tear-resistant and flexible sensor body's connection

