



THE UNITED KINGDOM VEHICLE APPROVAL AUTHORITY

COMMUNICATION CONCERNING THE APPROVAL GRANTED ⁽¹⁾/APPROVAL EXTENDED
⁽⁴⁾/APPROVAL REFUSED ⁽⁴⁾/APPROVAL WITHDRAWN ⁽⁴⁾/PRODUCTION DEFINITELY
DISCONTINUED ⁽⁴⁾ OF A TYPE OF TYRE FOR MOTOR VEHICLES, PURSUANT TO REGULATION
NO 30.02



Approval No: 30R-0215523

Extension No: Not Applicable

1. Manufacturer's name address:
Cooper Tire & Rubber Company Europe Limited.
Melksham, Wiltshire,
UNITED KINGDOM
2. Tyre type designation ⁽²⁾
 - 2.1. Brand-name(s)/trademark(s): Cooper
 - 2.2. Trade description(s)/Commercial name(s): CS7
3. If applicable, name and address of manufacturer's representative: Not Applicable
4. Summarised description:
 - 4.1. Tyre size designation: 195/65R15
 - 4.2. Category of use: normal/~~snow/special use/temporary use~~ ⁽¹⁾
 - 4.3. Structure: ~~diagonal/bias-belted~~/radial/~~run flat tyre~~ ⁽¹⁾
 - 4.4. Speed category symbol: H
 - 4.5. Load-capacity index: 91
5. Technical service and, where applicable, test laboratory approved for purposes of approval or of verification of conformity: Cooper Tire & Rubber Company Europe Limited

6. Date of report issued by that service: 30 November 2017, 07 December 2017, 28 November 2017
7. Number of report issued by that service: VST392995, VST393008, VST393016
8. Reason(s) of extension (if applicable): Not Applicable
9. Any remarks: Approval to Supplement 18
10. Place: BRISTOL
11. Date: 19 DECEMBER 2017

12. Signature:  D LAWLOR
Chief Technical and Statutory Operations Officer

13. Annexed to this communication is a list of documents in the approval file deposited at the Administrative services having delivered the approval and which can be obtained upon request.

- (1) Strike out what does not apply
- (2) A list of Brand name(s)/trademark(s) or Trade description(s)/ Commercial name(s) may be annexed to this communication.



Vehicle
Certification
Agency

THE UNITED KINGDOM VEHICLE APPROVAL AUTHORITY

APPROVAL NUMBER: E11 30R-0215523 Ext 00

INFORMATION PACKAGE CONTENTS

INDEX REVISION NUMBER: Not applicable

Conformity of Production (COP) Declaration COP Confirmed *

Assessment Method ISO/TS Cert and Control Plans *

Date of Initial Clearance Month Pre 2013

Date of Last Clearance Nov 2017

* delete where not applicable

Total number of sheets: 02 (Two)

Reasons for Revision: Not applicable / See manufacturer's documentation /
See approval certificate

Revision Date
&
Office Stamp

VST393015

An executive agency of the Department for Transport
March 2017 Revision 9





COOPERTIRES

COOPER TIRE & RUBBER COMPANY EUROPE LIMITED
Bath Road • Melksham, Wiltshire, SN12 8AA • +44 (0)1225 703101

VCA Job: VST393015

E11 0215523

Regulation 30, Revision 3, Section 4. Application For Tyre Approval			
Reason for Extension:	-	Extension #:	-
4.1	Manufacturer	Cooper Tire & Rubber Company Europe Limited. Melksham, Wiltshire	
4.1.1	Tyre Size Designation	195/65R15	
4.1.2	Commercial Description(s)	Cooper CS7	
4.1.3	Category of Use	Normal	
4.1.4	Construction	Radial	
4.1.5	Speed Category	H	
4.1.6	Load-Capacity	91	
4.1.7	Tubed or Tubeless	Tubeless	
4.1.8	Normal or Reinforced	Standard Load	
4.1.9	Ply rating (if applicable)	N/A	
4.1.10	Overall Section Width	201mm	
	Overall Diameter	635mm	
4.1.11	Rim(s) on which the tyre can be mounted	5½J 6J 6½J 7J	
4.1.12	Measuring Rim	6.0J	
	Test Rim	6.0J	
4.1.13	Test Pressure (bar)	2.8	
	Measurement Pressure (bar)	2.3	
4.1.14	Factor X	0.7	
4.1.15	Maximum Load & Speed for Tyres Containing a Z within Size Designation	N/A	
4.1.16	Runflat bead retention rim contour	N/A	
Prepared by:		Nick Meadows Certification Engineer	





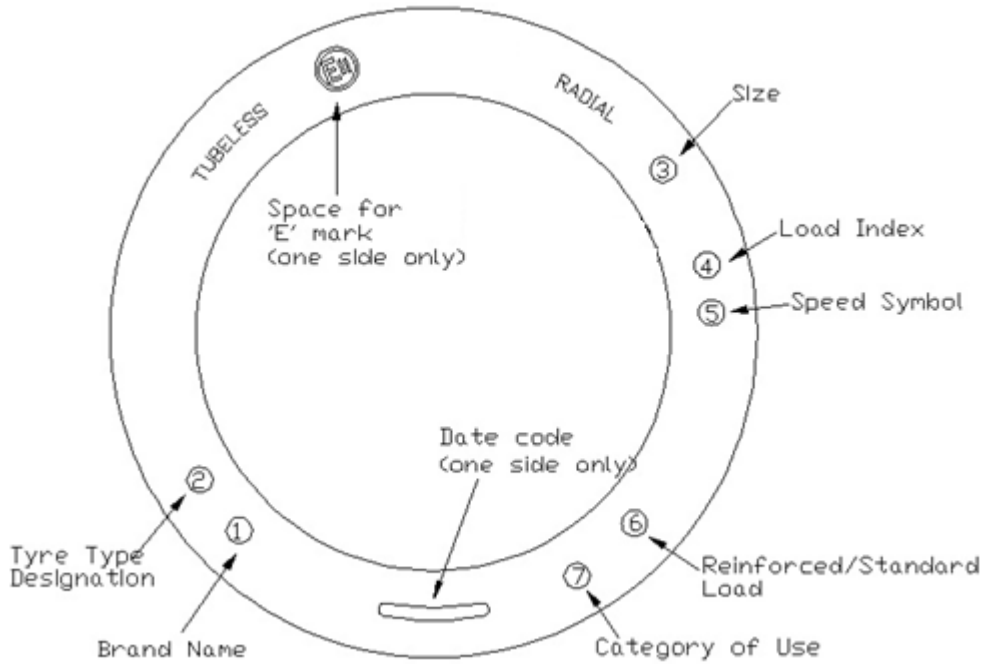
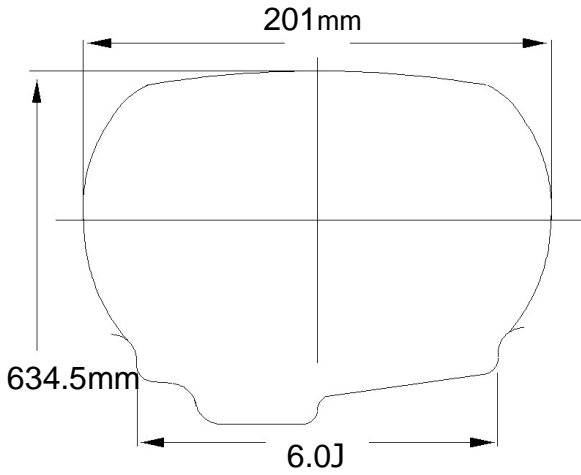
COOPERTIRES

COOPER TIRE & RUBBER COMPANY EUROPE LIMITED
Bath Road • Melksham, Wiltshire, SN12 8AA • +44 (0)1225 703101

VST393015

195/65R15 91H
Cooper CS7

E11 0215523



1.	Brand Name Cooper
2.	Tyre Type Designation CS7
3.	Tyre Size 195/65R15
4.	Tyre Load Index 91

5.	Tyre Speed Symbol H
6.	Standard or Extra Load Standard
	Category of Use
7.	Normal

