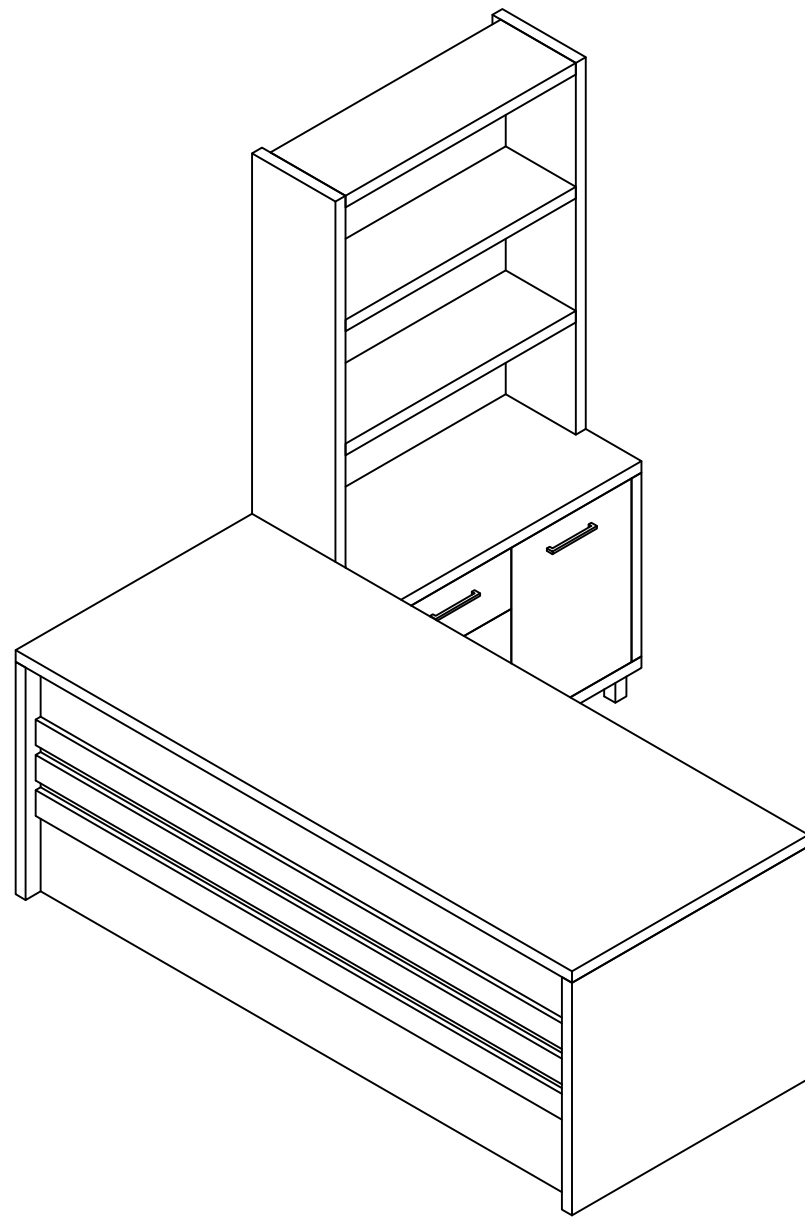
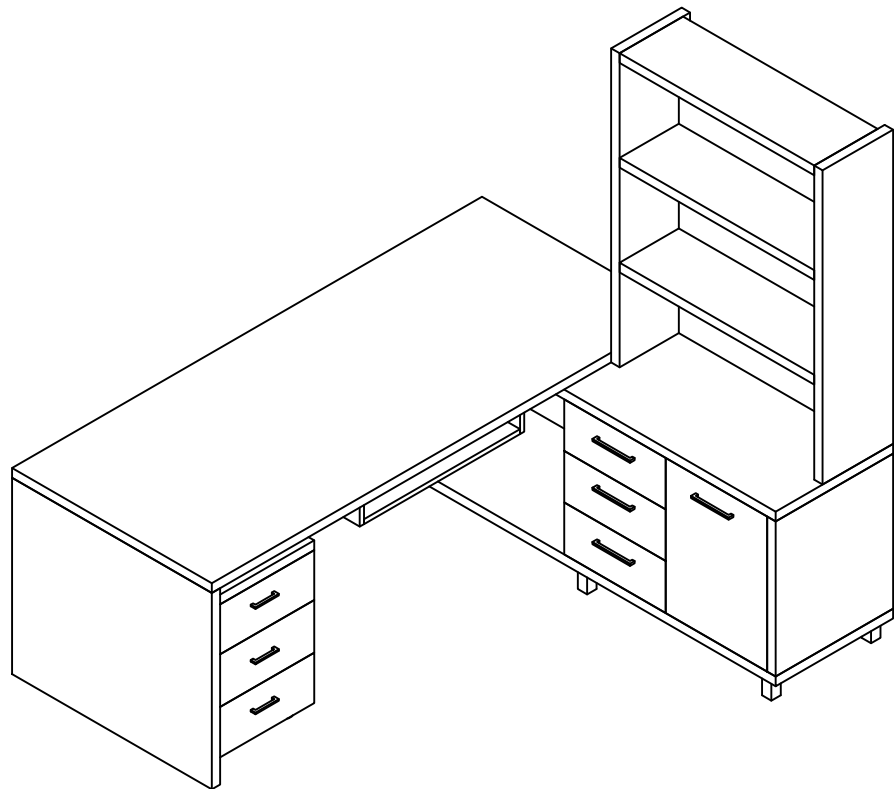
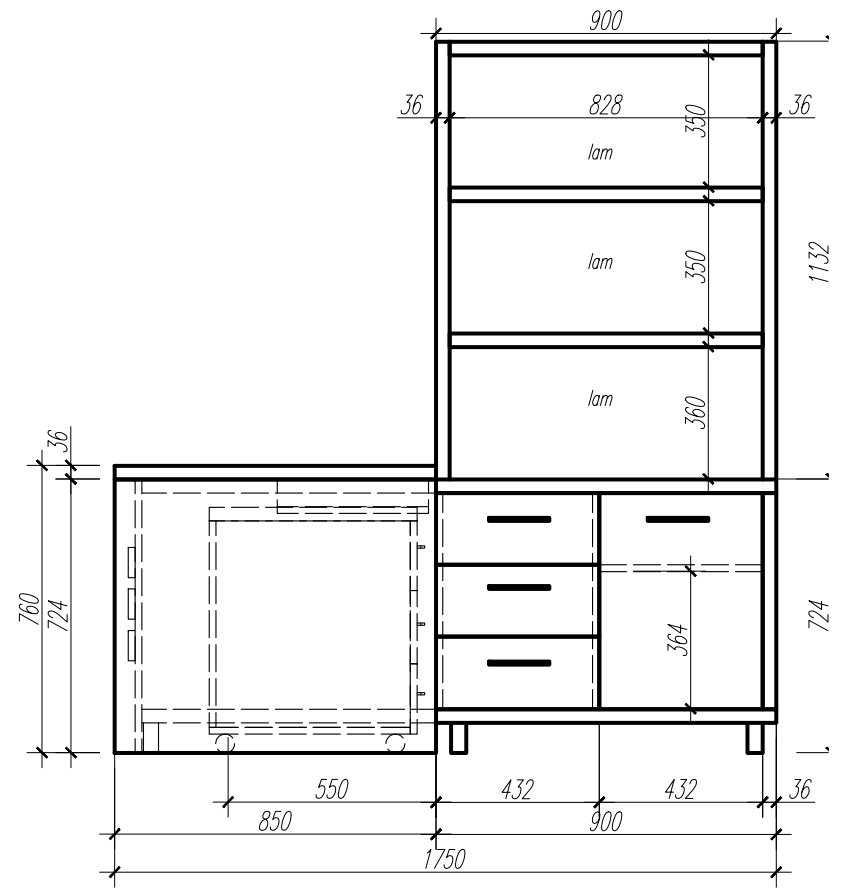
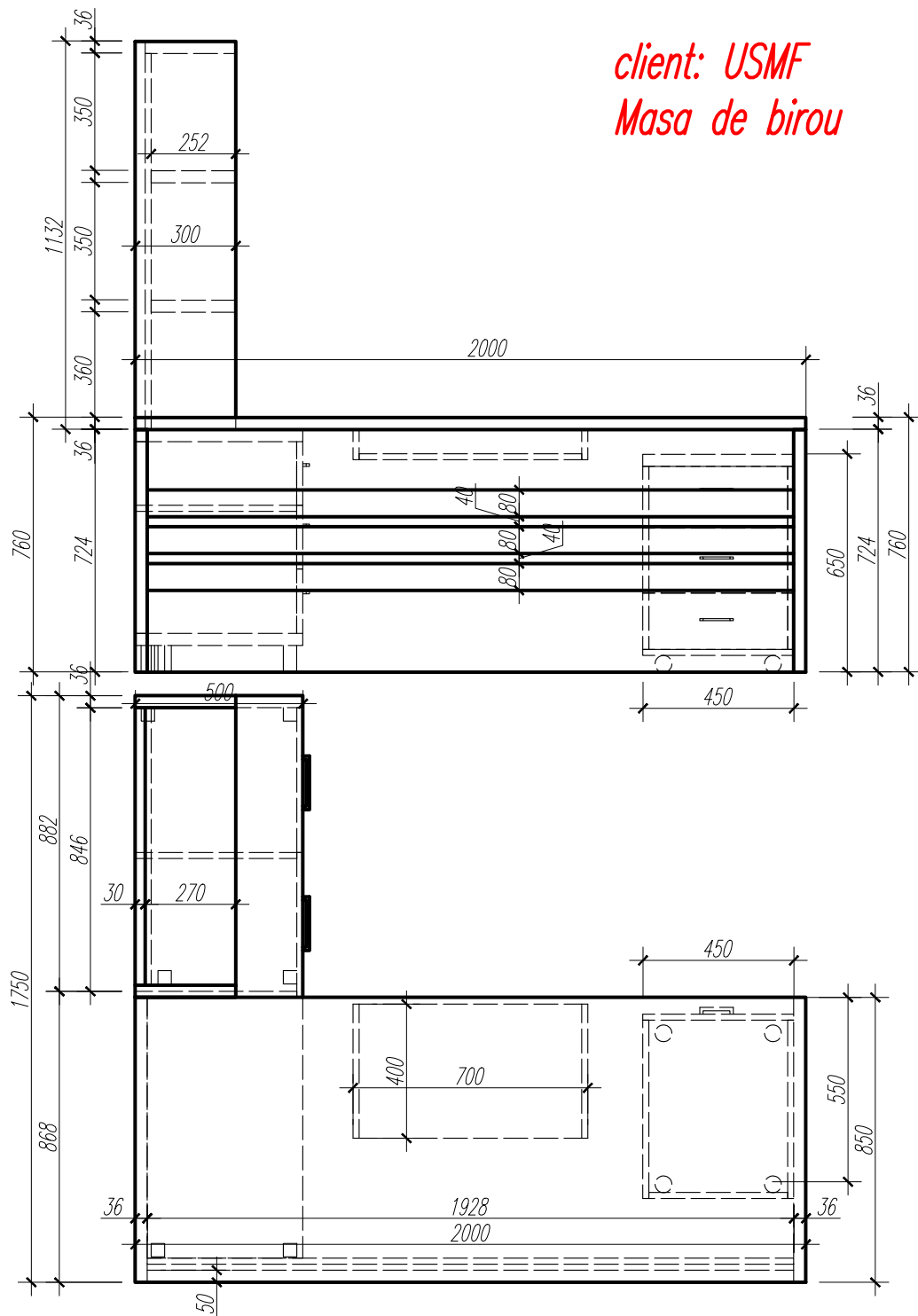


*client: USMF*  
*Masa de birou*

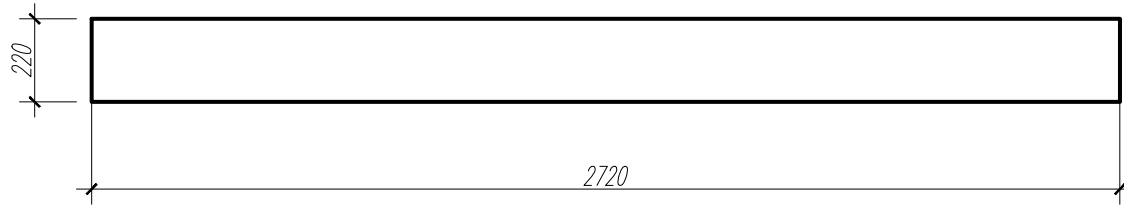


client: USMF  
Masa de birou

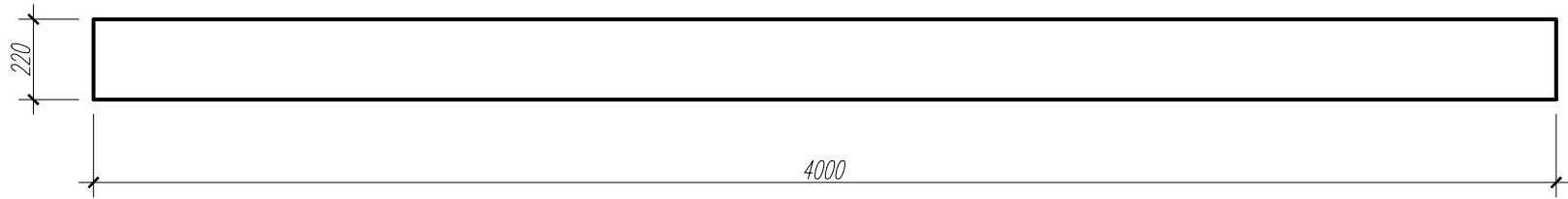


buc.1

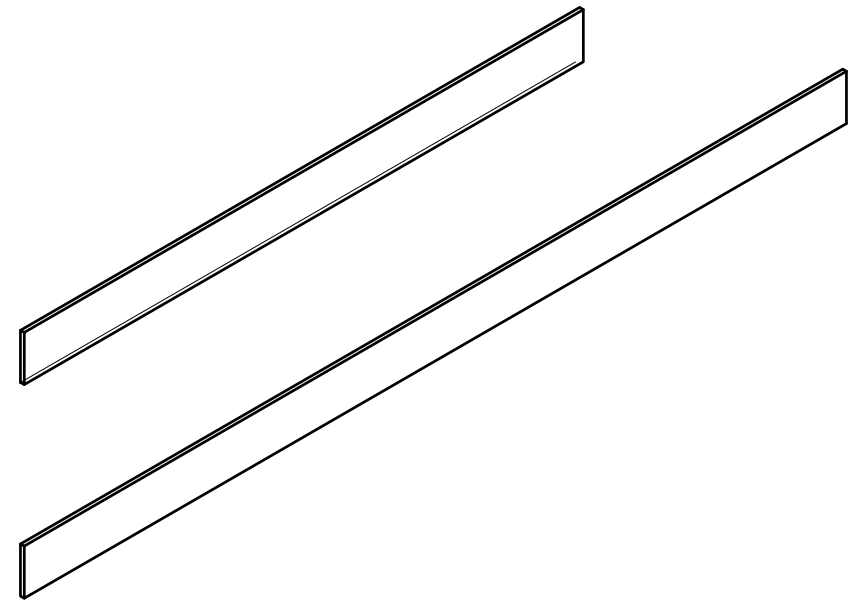
Client: USMF  
**BRIU**



1 buc.

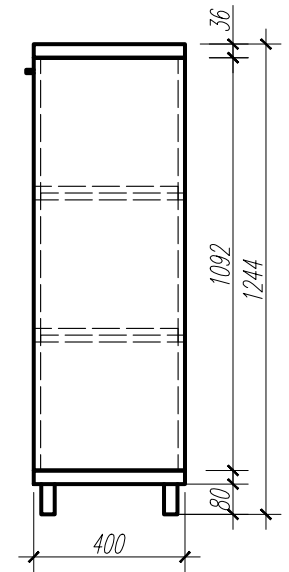
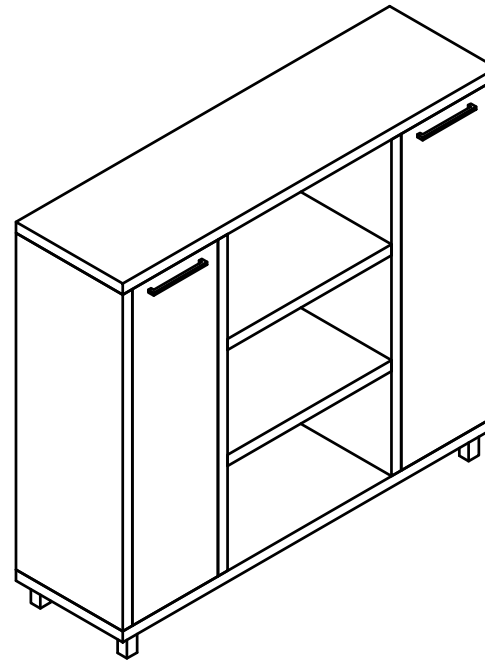
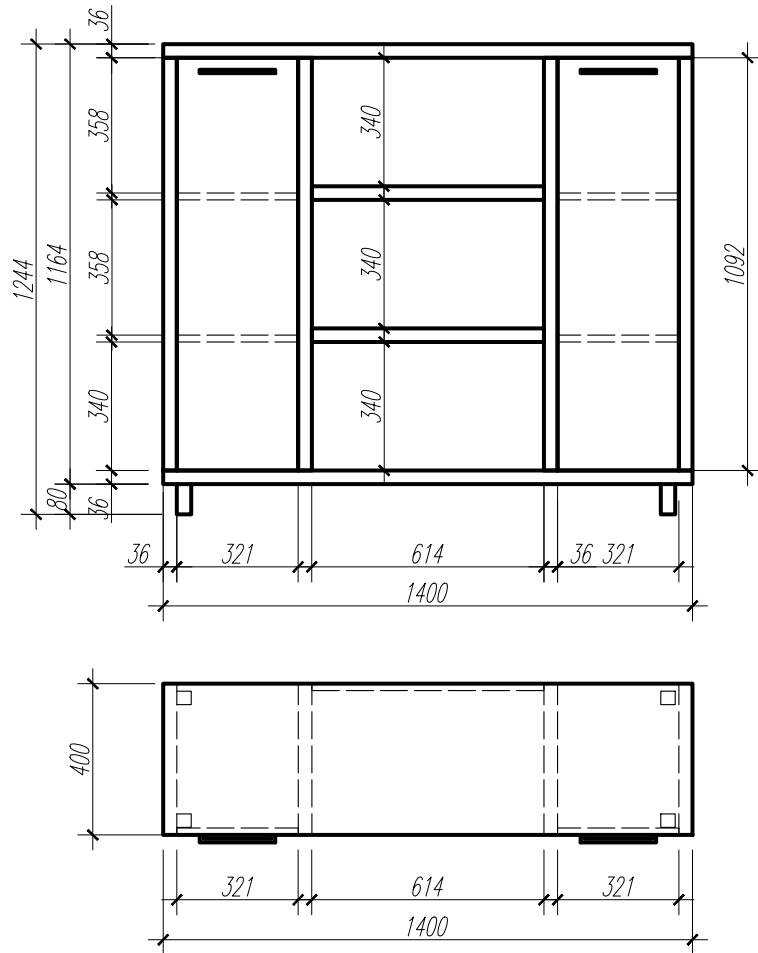


1 buc.

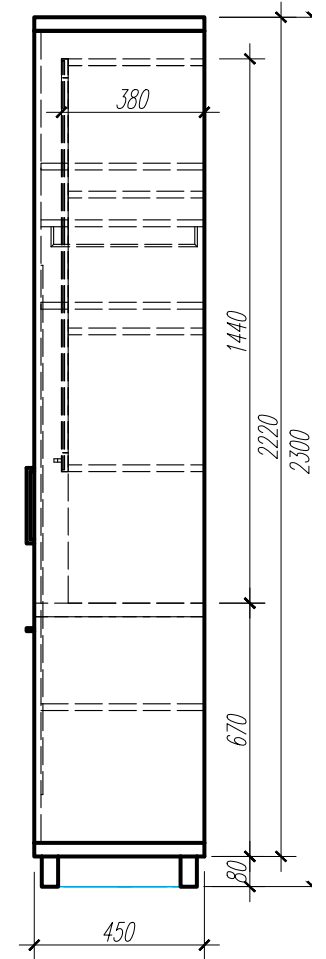
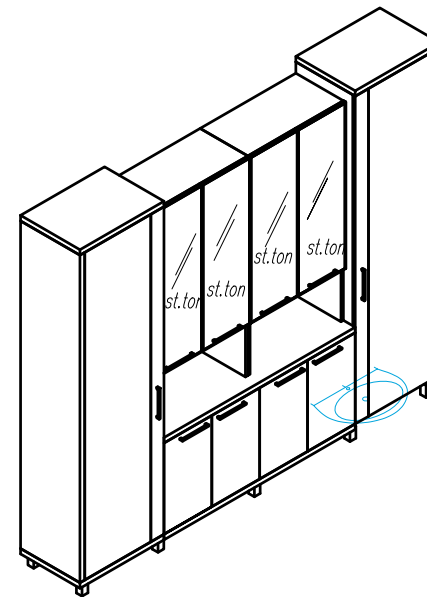
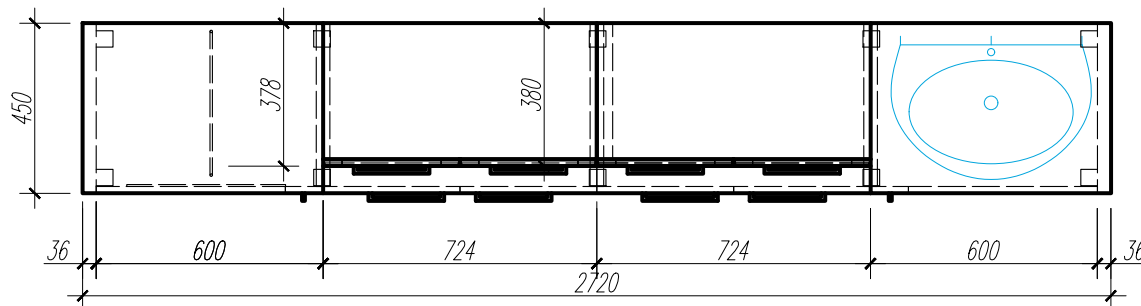
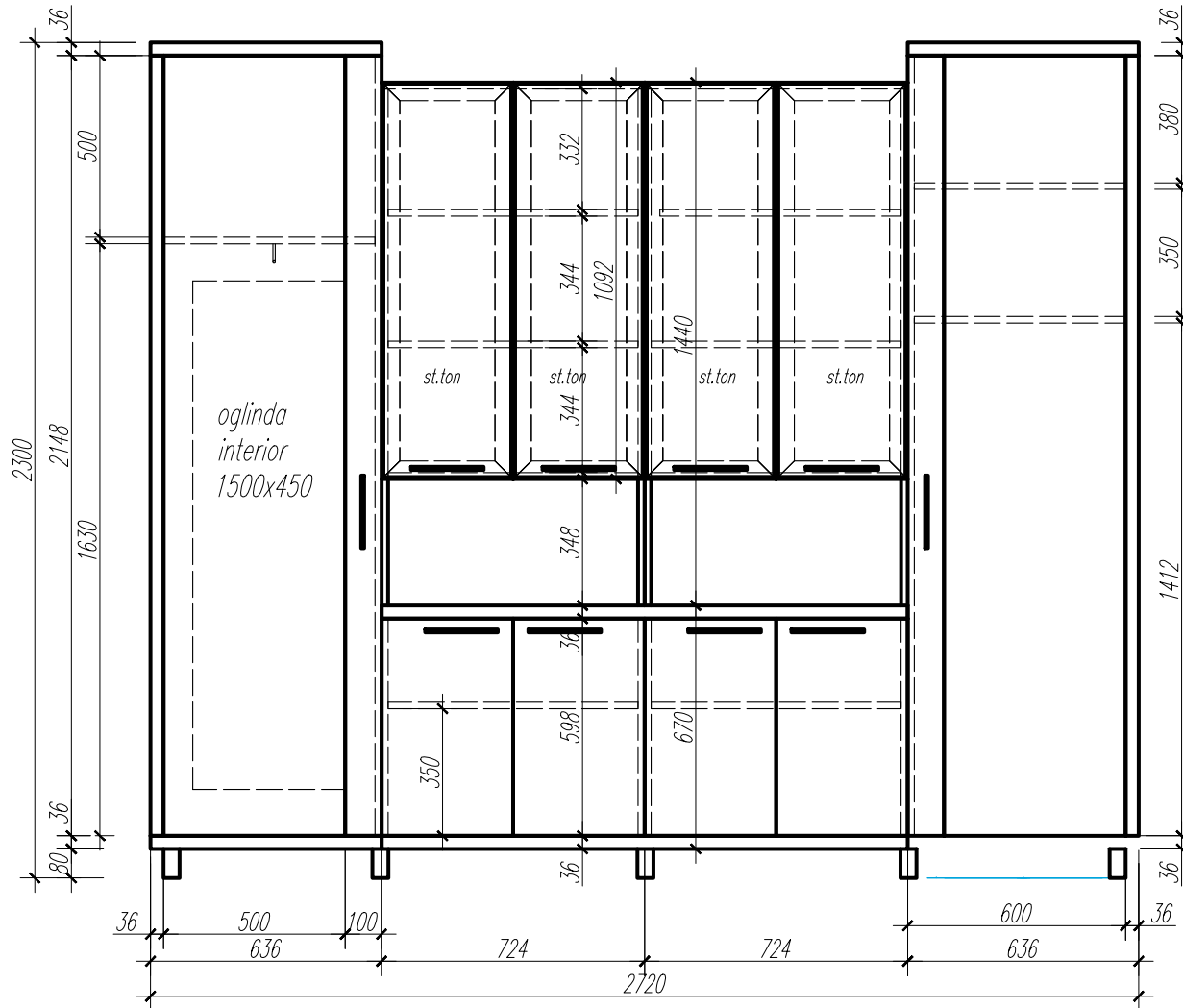


client: USMF  
COMODA

bir. d.Tagaiduc



Client: USMF  
**GARNITURA**



Client: USMF  
Plan bir. d.Tagaiduc

