



MEDICAL LED LAMP

ACEMST1



ACEMST1

IS THE NEW LED LIGHT MANUFACTURED BY ACEM SUITABLE FOR SEVERAL MEDICAL SPECIALTIES: DERMATOLOGY, GENERAL MEDICINE, GYNECOLOGY, DENTISTRY. IT IS ADAPTABLE FOR UNIVERSAL APPLICATIONS AND ITS ILLUMINATION IS PERFECT FOR EACH KIND OF EXAMINATION; IT IS IDEAL FOR DIAGNOSTICS, COSMETIC MEDICINE, FIRST AID, RECOVERY ROOM AND AS BED HEAD LIGHT. **ACEMST1** IS AVAILABLE IN DIFFERENT COLOURS ACCORDING TO TASTES AND FIELD OF APPLICATION.

ACEMST1



ACEMST1 contains all the advantages of LED technology and is suitable for multipurpose uses thanks to its flexibility.

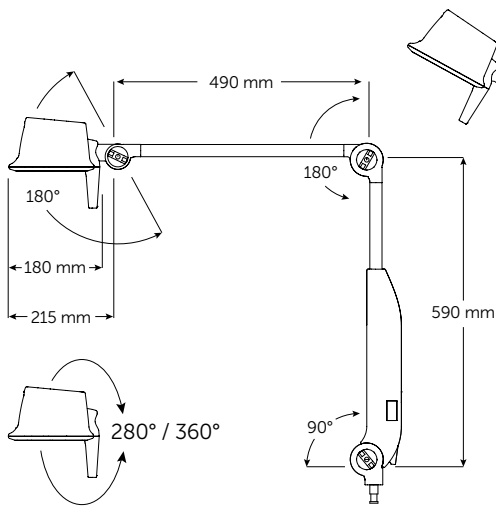
The lamp assures:

- HIGH LIGHT INTENSITY
- IR-FREE LIGHT BEAM
- VARIABLE COLOUR TEMPERATURE (CCT)
- HIGH COLOUR RENDERING INDEX (CRI)
- LONG LIFE
- LOW POWER CONSUMPTION

ACEMST1 has a compact and functional design.

The lamp:

- has a smooth easy-to-clean and disinfect surface to assure an excellent cleanliness
- is easy to move and its double balancing system assures stability and accuracy for the whole time of use once positioned
- has a wide rotation and movement range

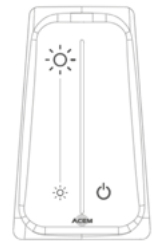
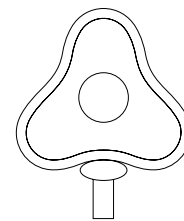


According to needs, the lamp is available in two versions:

ACEMST1.1

The touch panel controls all the functions of the lamp:

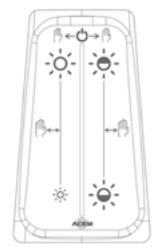
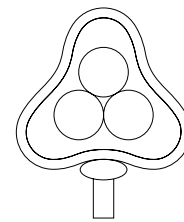
- On / Off
- Light intensity adjustment



ACEMST1.3

Through touch control panel (or **Gesture Control** mode) it is possible to manage all the functions of the lamp:

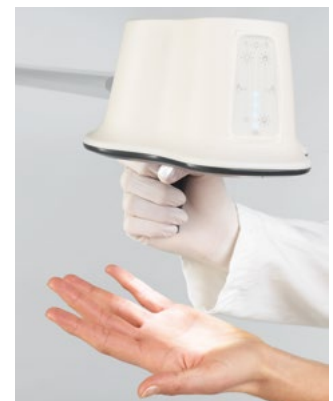
- On / Off
- Light intensity adjustment (**stepless**)
- Colour temperature adjustment (**stepless**)



COLOUR TEMPER.: **3.000 K**



COLOUR TEMPER.: **4.200 K**



COLOUR TEMPER.: **5.500 K**

TECHNICAL SHEET

ACEMST1.1

Power supply input voltage	100-240 Vac - 50/60 Hz
Protection class (EN 60601-1)	I (ceiling configuration) II (all other configurations)
Power consumption	10 VA
Maximum light intensity, E _c	18.000 LUX @ 100 cm 60.000 LUX @ 50 cm
Light intensity adjustment	FROM 20 % TO 100 % Stepless
Light field diameter (d10)	26 cm
Colour Temperature, CCT	4.300 K
Colour Rendering Index (Ra/R9/R13)	98/90/100
LED average life	60.000 HOURS ABOUT
Light head diameter	18 cm

ACEMST1.3

Power supply input voltage	100-240 Vac - 50/60 Hz
Protection class (EN 60601-1)	I (ceiling configuration) II (all other configurations)
Power consumption	12 VA
Maximum light intensity, E _c	30.000 LUX @ 100 cm 100.000 LUX @ 50 cm
Light intensity adjustment	FROM 20 % TO 100 % Stepless
Light field diameter (d10)	26 cm
Colour Temperature, CCT	From 3.000 K to 5.500 K Stepless Adjustable
Colour Rendering Index (Ra/R9/R13)	98/90/100
LED average life	60.000 HOURS ABOUT
Light head diameter	18 cm

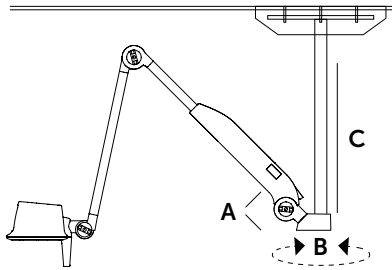
E.S.O.E.

Colour combinations:

White RAL 9010
 Green RAL 6019
 Blue RAL 5024
 Pink RAL 4003
 Light Grey RAL 7035
 Dark Grey RAL 7016

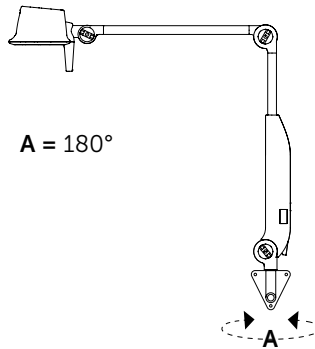
Note: All photometric values are subject to 10% tolerance. All data are according to reference Standard: EN 60601-2-41.

ACEMST1 IS AVAILABLE IN THE FOLLOWING CONFIGURATIONS



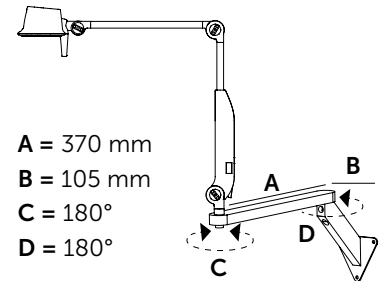
A = 90° (±45°) B = 360°
C = FROM 250 mm TO 1.100 mm

CEILING MOUNTED*



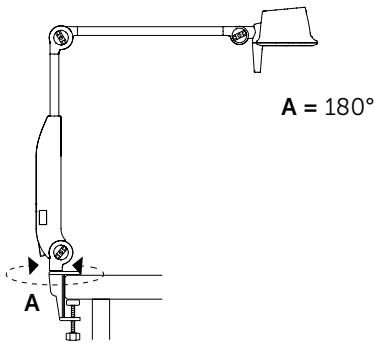
A = 180°

WALL MOUNTED



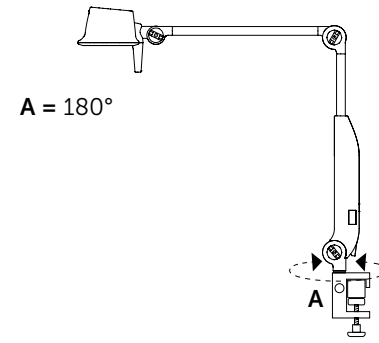
A = 370 mm
B = 105 mm
C = 180°
D = 180°

WALL MOUNTED WITH EXTENSION ARM



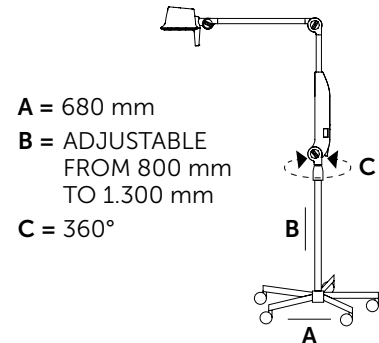
A = 180°

TABLE MOUNTED



A = 180°

RAIL MOUNTED



A = 680 mm
B = ADJUSTABLE FROM 800 mm TO 1.300 mm
C = 360°

ADJUSTABLE - TROLLEY MOUNTED

* Only for articulated arm version. All other configurations are available for articulated or flexible arm.

ACEMST1

ACEM IS A REGISTERED TRADEMARK OF ACEM S.P.A.
ACEM ALL RIGHTS RESERVED
ACEM RESERVES THE RIGHT TO MODIFY THE DESIGN
AND SPECIFICATIONS CONTAINED HEREIN WITHOUT ANY PRIOR NOTICE

DEP.ACEMST1.EN r2201



ACEM SPA | VIA DELLA TECNICA 29,
40050 - ARGELATO, BOLOGNA - ITALY
PH +39 051 721844 | info@acem.it

WWW.ACEM.IT



Management
System
ISO 13485:2016
ISO 9001:2015

www.tuv.com
ID 9105086197

