

CERTIFICATION of Conformity

No.: MOSTCT20040739

Holder : **PROVISION-ISR LIMITED**
FLAT/RM D-2, 7/F, WING CHEONG COMMERCIAL BLDG 19-25
JERVOIS STREET SHEUNG WAN HK

Product Name : **DVR**

Model Name : **NVR8-8200FA, NVR8-16400FA(1U),NVR8-32800RFA(2U),**
NVR8-16400PFA(1U) ,NVR8-8200PFA,SH-8100A5-8(1U),
SH-32200A5R-8(2U) ,SH-4050A5-8L(MM) ,SH-4050A5-8L

Brand Name : **PROVISION ISR**

Technical Data : **Input: 100-240VAC, 50/60Hz, 1.5A**
Output: 12VDC, 4A

Report No. : **MTET20040512**

This certification refers to the conformity of the following Directive(s). It does not exclude the product(s) having to be in compliance with other applicable Directive(s):

According to the Electromagnetic Compatibility (EMC) directive 2014/30/EU.

It is to certify that the product identified above in compliance with the essential requirements of the following standard(s):

EN 55032:2015

EN 55035:2017

EN IEC 61000-3-2:2019

EN 61000-3-3:2013+A1:2019

April 27, 2020

Date of Issue



Signed by: Yvette Zhou



This certification of conformity is based on an evaluation of the sample(s) of above mentioned product. Technical report and documentation are at the Holder's disposal. The CE marking as shown below can be affixed, under the responsibility of the manufacturer, after completion of an EC Declaration of Conformity and compliance with all relevant EC Directives. The affixing of the CE marking presumes in addition that the conditions in annexes III and IV of the Directive are fulfilled.

The original document contains watermark. Not to be reproduced without the permission of Shenzhen Most Technology Service Co., Ltd.



CERTIFICATION of Conformity

No.: MOSTCN19112288

Holder : **PROVISION-ISR LIMITED**
Room 403, F/4,Fu Fai Commercial Centre building, 27 Hillier Street, Sheung Wan, Hong-Kong

Product Name : **CAMERA**

Model Name : **I8-340IPE-MVF, I8-380IPE-MVF,I1-320IPB-28,I2-320IPS-28, I2-340IPS-28,I4-380IPS-28,I4-320IPS-VF,I4-380IPS-MVF, I4-320IPE-36,I4-320PE-MVF,I4-340IPE-36,I4-340IPE-MVF, I4-380IPE-28,I6-320IPE-MVF,I6-340IPE-MVF,I6-380IPE-MVF, I4-340IPS-MVF**

Brand Name : **PROVISION ISR**

Technical Data : **1:DC 12V**
2:POE power supply

Report No. : **MTEN19111847**

This certification refers to the conformity of the following Directive(s). It does not exclude the product(s) having to be in compliance with other applicable Directive(s):

According to the Electromagnetic Compatibility (EMC) directive 2014/30/EU.

It is to certify that the product identified above in compliance with the essential requirements of the following standard(s):

EN 55032:2015
EN 55035:2017

November 14, 2019
Date of Issue


Signed by: Yvette Zhou



This certification of conformity is based on an evaluation of the sample(s) of above mentioned product. Technical report and documentation are at the Holder's disposal. The CE marking as shown below can be affixed, under the responsibility of the manufacturer, after completion of an EC Declaration of Conformity and compliance with all relevant EC Directives. The affixing of the CE marking presumes in addition that the conditions in annexes III and IV of the Directive are fulfilled.

The original document contains watermark. Not to be reproduced without the permission of Shenzhen Most Technology Service Co., Ltd.





МИР БЕЗ ОПАСНОСТИ
www.media-security.eu

MEDIA SECURITY

SECURITY & COMMUNICATION SYSTEMS

Departamentul Tehnic

ACT DE CONFIRMARE

Prin prezentul, compania “Media Security”SRL, confirmă prezenta in cadrul companiei a Centrului de service suport tehnic si reparatii și garantează angajati instruiti si calificati pentru lucrarile de mentenanta, renovare si punere in functiune a Sistemelor de securitate:

- Sisteme supraveghere video** (*video analitica*);
- Sisteme control al accesului** (turnichete si bare de acces cu system de pontare);
- Sisteme antiefracție și securitate perimetru;**
- Sisteme detecție și avertizare la incendiu;**
- Sisteme conferinta si sonorizare voce;**
- Sisteme GPS** (*poziționarea geografica și monitorizarea traficului auto*).

Administrator

Gaina Victor



F/UTP-C 4Pairs cable-category5E-PE Sheath

Product Description: Bare solid copper conductor Rohs/REACH complied PEJacket Installation temperature: -30℃~+50℃				Application: 100Base-TX 100Base-T 100VG-AnyLAN 1000Base-T(Gigabit Ethernet) 1000Base-TX ATM				
Content of the Data Sheet								
Category	F/UTP-C CAT5E-4P-PE							
Test Standard	ISO/IEC11801, TIA-568-C.2 YD/T1019							
Conductor	Material	Solid Bare copper						
	Nom.O.D.(mm)	0.500	up down					+0.005 -0.005
Insulation	Material	HDPE						
	Diameter	1.00±0.03 mm						
Screening Material	Aluminum Foil	Steel Wires	1.2mm					
Sheath	Thickness	0.55±0.05mm			Sheath Physical Properties	Before Aging Tensile Strength (Mpa) ≥10.0		
	External O.D.	(6.4/2.6)±0.4 mm				Elongation(%) ≥350		
	Surface	Clean, Frap, Satiation				Aging Period((℃× hrs) 100℃×24h×10d		
	Material	PE				After Aging Elongation(%) ≥300		
	Color	Black				Cold bend(-20±2℃×4h) 8×Cable O.D., No visible cracks		
Surface Printing	Letter height	3.0±0.3mm			Electrical Characteristics (20℃)	1.0-100.0MHz, Impedance (Ω) 100±15		
	Color	White				1.0-100.0MHz Delay Shew (ns/100m) ≤45		
	Print error & Space	≤±0.5%, 1m				NVP 69%		
Core Color	1 White- Blue /Blue	2 White-Orange /Orange				Capacitance(nF/100m) max: 5.6		
	3 White- Green /Green	4 White- Brown /Brown				unbalanced-to-ground capacitance (pf/100m) max 330		
Packing	Wooden Tray			DC ResistanceΩ/100m) max 9.5		DC Conductor Resistance Unbalance(%)max5.0		
Carton dimension	—							
Packing length	305±1.5m							
Rip-cord	Yes	Drain wire	Yes					



Now you can see!

Hereby appoints

"Media-Security" SRL
Moldova

As our partner to distribute PROVISION-ISR's
products for the year 2021-2022

PROVISION-ISR hereby appoints the above mentioned subject as PROVISION-ISR Authorized Distributor of products specified under the item "Products" in accordance with the PROVISION-ISR Authorized Distributor's Terms and Conditions, and the Authorized Distributor accepts this appointment, PROVISION-ISR grants the Authorized Distributor the rights to act as PROVISION-ISR Authorized Distributor and to promote sales of the "Products".

For and on behalf of
PROVISION-ISR LIMITED

Ari Pick, President
PROVISION-ISR LTD.

Authorized Signature(s)

IP S-SIGHT SERIES

Provision-ISR S-SIGHT series provides you with all that you need for a simple installation. S-Sight cameras guarantee a superior image quality, improved night performance and make an outstanding value for money solution.



I2-340IPS-28

20M IR 4MP FIXED LENS BULLET CAMERA

Equipped with a 2.8mm fixed lens, this 4MP bullet camera is designed for short distance surveillance (up to 20m) in both indoor and outdoor scenarios.

With its great performances, reliability and affordable price I2-340IPS-28 camera is the perfect solution for any basic installation.



MAIN FEATURES

- 4MP
- 2592×1520 Resolution
- Wide field of view 110°
- 3D-DNR
- IP67

ANALYTICS

- General Analytics: Camera Tampering
- Standard Analytics: Line Crossing, Sterile Area



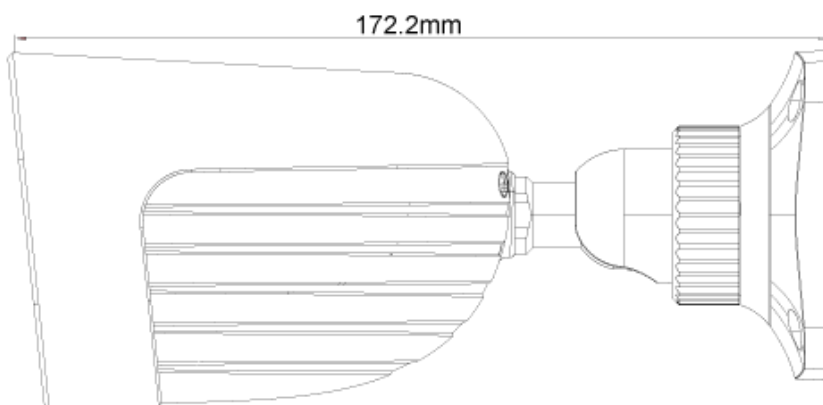
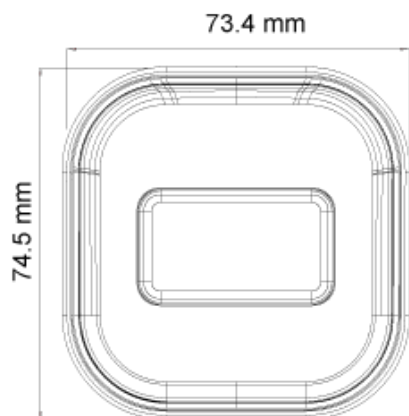
SPECIFICATIONS

Image Sensor	1/2.7" CMOS (16:9)
Effective Pixels	2592×1520
Electronic Shutter	1/25s ~ 1/100000s
Frame Rate	1-25/30FPS
Day & Night	ICR
Min. Illumination	Day: 0.1lux / Night: 0.03lux (@F2.0, AGC On) 0lux with IR on
Audio compression	N/A
Communication	N/A
Image Settings	AWB, AGC Adjustable, Exposure Mode (Auto) Sharpness, Saturation, Brightness & Contrast Adjustable
Image Enhancement	Digital WDR, BLC, HLC, ROI
Noise Reduction	3D-DNR
Image Orientation	Mirror/Flip
Privacy Zone	Yes
Motion Detection	Yes
Analytics	General Analytics: Camera Tampering Standard Analytics: Line Crossing, Sterile Area
Video Compression	H.265 / H.264 / MJPEG (Sub-Stream Only)
Resolution	4MP (2560x1440) / 3MP (2304x1296) / 2MP (1920x1080) / D1 / QVGA /CIF
Multi-Stream	Master Stream: 4MP (2560x1440) / 3MP (2304x1296) / 2MP (1~30fps) Sub-Stream: 1MP (1~12/15fps) /QVGA/D1/CIF (1~30fps) Third Stream: QVGA/D1/CIF (1~30fps)"
Bit rate	64Kbps ~ 5Mbps@H.265 / 64Kbps ~ 5Mbps@H.264
Encode Mode	VBR/CBR
Image Quality	Five levels under VBR; Free adjustment under CBR
IR Distance	20m (1 High Power IR LED)
Lens (Field of View)	2.8mm (110°)

SPECIFICATIONS

Iris	Fixed Iris
Lens Mount	M12 mount
Protection Rate	Water Proof: IP67
Bracket	3-Axis Bracket
Dimensions	172.2x73.4x74.5mm
Weight (gross)	~390g
Network	RJ45 (+PoE)
Power	DC Socket
Analog Video Output	No
Audio Connectivity	No
SD Card	Event/Schedule based Main/Sub-Stream recording (Up to 128Gb)
Hard Reset Button	Yes
Alarm	No
Remote Monitoring	IE Browsing, CMS Software, Provision Cam2 Mobile App
User Access	Supports simultaneous monitoring for up to 4 users with multi-stream real time transmission
Network Protocol	IPv4, IPv6, TCP, UDP, DHCP, NTP, DDNS, 802.1X, RTSP, Multicast, UPnP, Email, FTP, HTTPS, QoS
ONVIF	Yes
Ethernet	100Mbps
PoE	Yes
Power Supply	DC12V/~420mA / PoE/~5.4W
Work Environment	-30°C~60°C, 10%~90% Humidity
Junction Box	PR-JB12IP66 - PR-JB12IP64

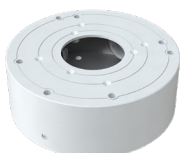
DIMENSIONS



ACCESSORIES



PR-JB12IP66



PR-JB12IP64

NVR SERIES

Provision-ISR conventional NVRs are intended for obtaining video streams from the IP cameras via the IP networks for the purpose of their storage and subsequent playback. These devices communicate with the IP cameras through the general network, without the need of direct IP camera connection, providing the installer with the highest flexibility in the design of the system and the wiring.

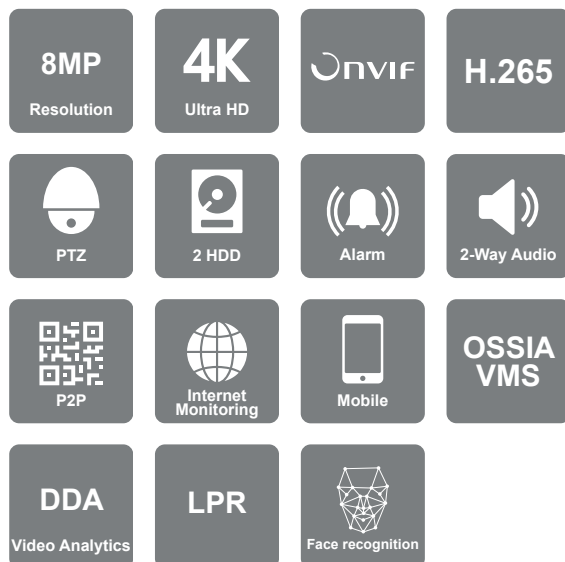


NVR8-16400FA(1U)

16CH 8MP FACE RECOGNITION NVR WITH ALARMS

Provision-ISR NVR8-16400FA(1U) is a high performance network video recorder supporting both Face Recognition and Advanced Video Analytics (DDA).

The device, suitable for mid-sized installations (up to 16 channels), features 8 alarm inputs + 4 alarm outputs and provides you with everything you need for a trouble-free CCTV project.



MAIN FEATURES

- Channels: 16 over Network
- Video output: HDMI (4K, 1080P) VGA (1280X1024)
- Max. Recording: 16CH 8MP Real Time
- HDD: 2 SATA (8TB each) with Smart Management
- Alarms: 8 In / 4 Out (+ IPC Inputs/Outputs)
- Audio: 1 In / 1 Out (+ IPC Inputs/Outputs)
- Video Analytics: Yes (Must be supported by IPC)
- DDA, Face recognition, LPR and Fish-Eye support



SPECIFICATIONS

	Input	16Ch Over Network
	Output	HDMI (4K@60Hz, 4K@30Hz, 1080P), VGA (1080P, 1280x1024, 1024x768)
Video	View Mode	Mirrored
	Decoding Format	H.265 / H.265+ / H.265S / H.264
	Decoding Capabilities	1Ch - 8MP ; 4Ch - 2x8MP + 2x5MP ; 9/16Ch - 1MP
	Input	1CH RCA (Linear, 1kΩ) + IPC Inputs
Audio	Output	1CH RCA (2.0 Vp-p, 1 kΩ) + IPC Inputs
	Compression	G.711A/G.711U
	Two Way Audio	Yes
	Analytics Channels	16Ch (Requires supporting IPC)
Analytics	Supported Analytics	Camera Tampering, Line Crossing (DDA / Pixel Based), Sterile Area (DDA / Pixel Based), Object Monitoring, Object Counting (DDA), Crowd Gathering, People Intrusion, Smart Search, Face Recognition, LPR
	Face Recognition Rate	180 Faces per minute (All Channels) / 3 Faces per second (Single Channel)
Bandwidth	Incoming	160Mbps
	Outgoing	160Mbps
	Real-Time Recording	16CH 8MP Real-Time
Record / Remote App Record/ Main Stream	Record Type	Video / Video + Audio
	8MP	480FPS (NTSC)/400FPS (PAL)
	5MP and lower	480FPS (NTSC)/400FPS (PAL)
	Master stream over network	Up to 16CH@Recording Resolution

SPECIFICATIONS

Sub Stream	Resolution	Depends on IPC
	Sub-Streams over Network	Up to Outgoing Bandwidth Capacity
General	Recording Modes	Schedule, Manual, Motion, Sensor, Analytics, POS and all of its combinations
	User Access	10 Users Online with Professional Authority Management
Record / Remote App	Mobile App	Provision Cam2 for iOS/Android
	PC/Mac Software	Ossia VMS Standard / Enterprise
	Plug-in free Web-Browser	Chrome, FireFox, Safari, Edge, Opera. (All Limited to 4Ch Live View / Playback)
	Plug-in based Web-Browser	Internet Explorer
Playback	Local Playback	16Ch
	Remote Playback (Web, App, VMS)	16Ch
Backup	Search Mode	DDA Object, Smart Search, LPR, Face Recognition, Time-Slice, Time, Event, POS
	USB	1 USB 2.0 Port + 1 USB 3.0 Port
	Backup Format	AVI (Unencrypted) / Private Format (Encrypted / Unencrypted)
Alarm	Input	8+IPC
	Output	4+IPC
Storage	HDD	2
	E-SATA	None
	Max Capacity	16TB (Up to 8TB Each)
	RAID	N/A

SPECIFICATIONS

PTZ	Connection	Via Network
	Supported Controls	Pan, Tilt, Zoom, Preset, Cruise, Scan, Iris, Focus
	RS-485	Yes (C06 Keyboard Connection)
Network	Ethernet	1000/100/10Mbps self-adaptive Ethernet interface
	Protocols	TCP/IPv4/IPv6, DHCP, DDNS, NTP, SMTP, SSL/TLS, UPnP, P2P, RTSP, FTP, HTTPS, 820.1X, SNMP, Auto Report (Ossia VMS)
	ONVIF	Full Device Support (Profile T/G, ONVIF Version 20.12)
	Ports	N/A
PoE	Speed	N/A
	Standard	N/A
	CCTV Mode	N/A
	Total Power	N/A
	Max. Power Output (Per Ch.)	N/A
Others	Power Supply	DC12V/4A
	Power consumption (No HDD)	5W
	Dimension	W375xD275xH50mm
	Operation Temperature	0-50C

*Max power output will be reduced depending on cable quality and distance.