

VACUUM



K3EDTA

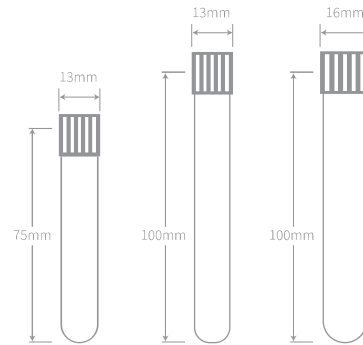
Intended to be used in hematology laboratory for withdrawing Whole blood or EDTA Plasma in order to examine various kinds of blood cells.

Tubes manufactured using transparent PET or Glass. Caps manufactured using polyethylene.

Specimen: whole blood.

After taking blood into the tube it should be mixed by turning 6-8 times. Lack of mixing can also cause platelet aggregation, coagulation or formation of micro clots.

In addition, we can provide EDTA blood collection tubes with Na₂EDTA as additive. If you need to order, please contact our sales manager.



REF	Additive	Cap Colour	Tube Size (mm)	Draw Volume (mL)	Tube Material	Pack/Carton	Label
RJ1803101-0P	K3EDTA	Purple	13x75	1mL	PET	100PCS/1200PCS	Paper/Transparent
RJ1803101-0G	K3EDTA	Purple	13x75	1mL	GLASS	100PCS/1200PCS	Paper/Transparent
RJ1803102-0P	K3EDTA	Purple	13x75	2mL	PET	100PCS/1200PCS	Paper/Transparent
RJ1803102-0G	K3EDTA	Purple	13x75	2mL	GLASS	100PCS/1200PCS	Paper/Transparent
RJ1803103-0P	K3EDTA	Purple	13x75	3mL	PET	100PCS/1200PCS	Paper/Transparent
RJ1803103-0G	K3EDTA	Purple	13x75	3mL	GLASS	100PCS/1200PCS	Paper/Transparent
RJ1803104-0P	K3EDTA	Purple	13x75	4mL	PET	100PCS/1200PCS	Paper/Transparent
RJ1803104-0G	K3EDTA	Purple	13x75	4mL	GLASS	100PCS/1200PCS	Paper/Transparent
RJ1803205-0P	K3EDTA	Purple	13x100	5mL	PET	100PCS/1200PCS	Paper/Transparent
RJ1803205-0G	K3EDTA	Purple	13x100	5mL	GLASS	100PCS/1200PCS	Paper/Transparent
RJ1803206-0P	K3EDTA	Purple	13x100	6mL	PET	100PCS/1200PCS	Paper/Transparent
RJ1803206-0G	K3EDTA	Purple	13x100	6mL	GLASS	100PCS/1200PCS	Paper/Transparent
RJ1803207-0P	K3EDTA	Purple	13x100	7mL	PET	100PCS/1200PCS	Paper/Transparent
RJ1803207-0G	K3EDTA	Purple	13x100	7mL	GLASS	100PCS/1200PCS	Paper/Transparent
RJ1803308-0P	K3EDTA	Purple	16x100	8mL	PET	100PCS/1200PCS	Paper/Transparent
RJ1803308-0G	K3EDTA	Purple	16x100	8mL	GLASS	100PCS/1200PCS	Paper/Transparent
RJ1803309-0P	K3EDTA	Purple	16x100	9mL	PET	100PCS/1200PCS	Paper/Transparent
RJ1803309-0G	K3EDTA	Purple	16x100	9mL	GLASS	100PCS/1200PCS	Paper/Transparent
RJ1803310-0P	K3EDTA	Purple	16x100	10mL	PET	100PCS/1200PCS	Paper/Transparent
RJ1803310-0G	K3EDTA	Purple	16x100	10mL	GLASS	100PCS/1200PCS	Paper/Transparent