

Colenta[®] DICOM Printer HighCap Xp

Dry Laser Imager - High Efficiency - Mammo Applicability

Processing Capacity

up to 80 films/hr, Size 35cmx43cm (14"x17") helps to reduce patient's waiting time, increasing efficiency of examination workflow.

Printing Resolution - Pixel Size

up to 508dpi (50µm) - allows printout of Mammo Images

Film Trays – Up to 5 Trays

2 universal film Trays enabling printing of two different sizes at the same time as standard and 3 universal film Trays are optional.



Colenta[®] DICOM Printer HighCap Xp to be used with Colenta[®] Dry Laser Films to obtain maximum quality print out of examination images.

MEDIPHOT DL – Dry Laser Imaging Film:

Matching with Colenta HighCap Xp/XLp Printers, the low fog, consistently clear, the **Dry Laser Film DL** delivers high density images at neutral colour tone, comparable to those from conventional wet processing.

Film size	Quantity/Package
35cm x 43cm (14" x 17")	100 sheets + 1 protective sheet
26cm x 36cm (10" x 14")	150 sheets + 1 protective sheet
25cm x 30cm (10" x 12")	150 sheets + 1 protective sheet
20cm x 25cm (8" x 10")	150 sheets + 1 protective sheet

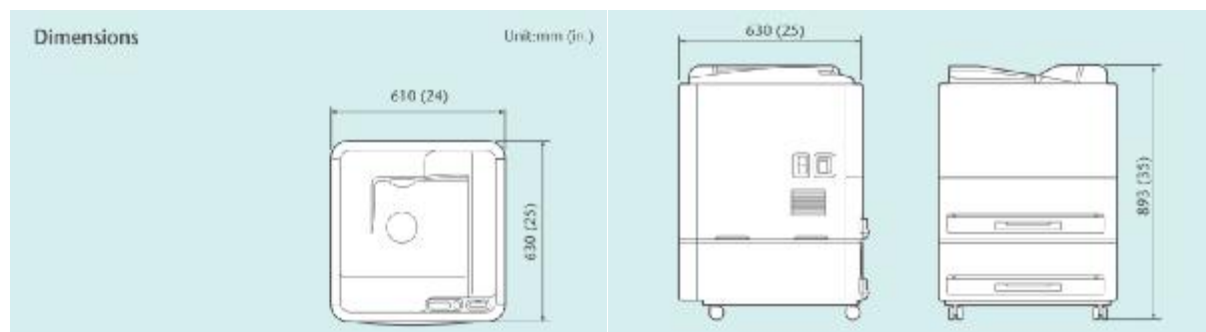
MEDIPHOT DLM – Dry Laser Mammography Imaging Film:

Matching with Colenta HighCap Xp/XLp Printers, the low fog, consistently clear, the **Dry Laser Film DLM** delivers high density images (D-max of 4.0) at a blue film colour, and better sharpness compared to DL. The DLM also has adequate image quality for mammography.

Film size	Quantity/Package
25cm x 30cm (10" x 12")	150 sheets + 1 protective sheet
20cm x 25cm (8" x 10")	150 sheets + 1 protective sheet

Colenta HighCap Xp Specifications

Recording method	Laser exposure thermal development system
Applicable film	MEDIPHOT DRY IMAGING FILM DL (100/150 sheets/pack) 35cm x 43cm (14" x 17"), 26cm x 36cm (10" x 14"), 25cm x 30cm (10" x 12"), 20cm x 25cm (8" x 10") MEDIPHOT DRY IMAGING FILM DLM for Mammography (150 sheets/pack) 25cm x 30cm (10" x 12"), 20cm x 25cm (8" x 10")
Film loading	Daylight film loading
Film magazines	Up to 5 trays (2 trays online + 3 trays offline)
Processing Capacity	approx. 80 sheets/hour 35cm x 43cm (14" x 17") approx. 100 sheets/hour 20cm x 25cm (8" x 10")
Pixel size	50 um (508 dpi) / 100 um (254 dpi)
Recording gradation	14 bits (16383)
Image memory	1GB
Density Adjustment	Automatic density correction
Input channels	DICOM network input (max. 10 simultaneous connection associations)
Dimensions (WxDxH)	610mm x 630mm x 893mm (24" x 25" x 35")
Weight	104 kg (229.3 lbs.)
Power Supply Conditions	Single phase 50-60Hz, AC100-240V ±10%
Operating Conditions	Temperature: 15 to 30°C (59 to 91°F) Humidity: 15 to 70% rH, non-condensing Atmospheric pressure: 750 to 1060 hPa



Specifications are subject to change without notice. All brand names or trademarks are the property of their respective owners. In some countries, regulatory approval may be required to import medical devices.

COLENTA Labortechnik GmbH & Co. KG

Neunkirchner Str. 117
A-2700 Wiener Neustadt, Austria
Tel.: +43(0)2622-28311-0
E-Mail: office@colenta.at