

---

# CERTEST

## *H. pylori*

---

ONE STEP *Helicobacter pylori*  
CARD TEST

---

CERTEST BIOTEC S.L.

---







## CERTEST *H. pylori*

One Step test to detect *Helicobacter pylori* in card format/  
Prueba de un solo paso para detección de *Helicobacter pylori* en formato cassette

### ENGLISH

#### INTENDED USE

CerTest *H. pylori* one step card test is a coloured chromatographic immunoassay for the qualitative detection of *Helicobacter pylori* in stool samples.

CerTest *H. pylori* card test offers a simple, a highly sensitive and non-invasive screening assay to make a presumptive diagnosis of *Helicobacter pylori* infection.

#### INTRODUCTION

*Helicobacter pylori* (*H. pylori*) is a spiral-shaped bacterium that is found in the gastric mucous layer or adherent to the epithelial lining of the stomach. *H. pylori* causes more than 90% of duodenal ulcers and up to 80% of gastric ulcers.

The importance of *Helicobacter pylori* testing has increased greatly since the strong correlation between the presence of bacteria and confirmed gastrointestinal diseases (stomach and duodenum) like gastritis, peptic ulcer disease and gastric carcinoma.

#### TEST PRINCIPLE

CerTest *H. pylori* is based on the principle of a qualitative immunochromatographic assay for the determination of *Helicobacter pylori* in stool samples.

The strip consists of a nitrocellulose membrane pre-coated with mouse monoclonal antibodies on the test line (T), in the results window, against *Helicobacter pylori* and with rabbit polyclonal antibodies, on the control line (C), against a specific protein. The label/sample absorbent pad is sprayed with test label solution (mouse monoclonal antibodies anti-*Helicobacter pylori*) conjugated to red polystyrene latex and control label solution (specific binding protein) conjugated to green polystyrene latex, forming coloured conjugate complexes.

If the sample is positive, the antigens of the diluted sample react with the red-coloured conjugate complex (anti-*Helicobacter pylori* monoclonal antibodies-red polystyrene microspheres), which was previously pre-dried on the absorbent pad. The mixture then moves upward on the membrane by capillary action. As the sample flows through the test membrane, the binding conjugate complexes migrate. The anti-*Helicobacter pylori* antibodies present on the membrane (test line) capture the coloured conjugate and the red line will be visible. This band is used to interpret the result.

If the sample is negative, there is no *Helicobacter pylori* antigens presence and yet, the antigens may be present in a concentration lower than the detection limit value, for which the reaction will not take place with the red-coloured conjugate complex. The anti-*Helicobacter pylori* antibodies present on the membrane (test line) will not capture the antigen-red-coloured conjugate complex (not formed), for which the red line will not appear.

Whether the sample is positive or not, the mixture continues to move across the membrane to the immobilized specific antibodies placed in the control line. The anti-specific protein antibodies present on the membrane will capture control green-conjugate complex and the control line will always appear. The presence of this green line serves as: 1) verification that sufficient volume is added, 2) that proper flow is obtained and 3) an internal control for the reagents.

#### STORAGE AND STABILITY

Store as packaged in the sealed pouch at 2-30°C. The test is stable until the expiration date marked on its sealed pouch. The test must remain in the sealed pouch until use. Do not freeze.

#### PRECAUTIONS

- For professional *in vitro* diagnostic use.
- Do not use after expiration date.
- All the specimens should be considered potentially hazardous and handled in the same manner as an infectious agent. A new test must be used for each sample to avoid contamination errors.
- The tests should be discarded in a proper biohazard container after testing.
- Reagents contain preservatives. Avoid any contact with skin or mucous membrane. Consult safety data sheet, available on request.
- Components provide in the kit are approved for use in the CerTest *H. pylori* test. Do not use any other commercial kit component.
- The presence of yellow lines in the results window (control line zone and test line zone), before using the test, is completely normal and does not imply failure of the test functionality.
- Follow Good Laboratory Practices, wear protective clothing, use disposal gloves, goggles and mask. Do not eat, drink or smoke in the working area.

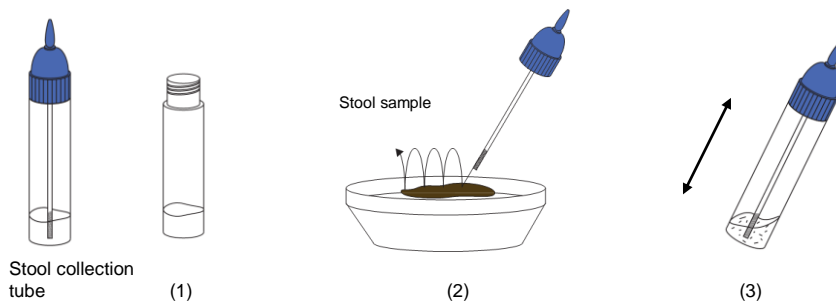


### SPECIMEN COLLECTION AND PREPARATION

Stool samples should be collected in clean containers. The samples can be stored in the refrigerator (2-8°C) for 1-2 days prior to testing. For longer storage, maximum 1 year, the specimen must be kept frozen at -20°C. In this case, the sample will be totally thawed and brought to room temperature before testing. Homogenise stool samples as thoroughly as possible prior to preparation.

#### Specimen preparation (see illustration):

1. Take out the cap of the collection tube (1) and use the stick to pick up sufficient sample quantity. Then, introduce the stick once into 4 different parts of the stool sample (2) making sure that, at each insertion, only the stick's screw is covered with the sample to take the appropriate amount of faecal sample (approx. 50mg) and add it to the collection tube. Any additional sample that exceeds the stick's screw could cause wrong results. For liquid samples, add approx. 125µL in the collection tube using a micropipette.
2. Close the tube with the diluent and stool sample. Shake the tube in order to assure good sample dispersion (3).



### MATERIALS

#### MATERIALS PROVIDED

- CerTest *H. pylori* card tests
- Instructions for use
- Stool collection tubes with diluent

#### MATERIALS REQUIRED BUT NO PROVIDED

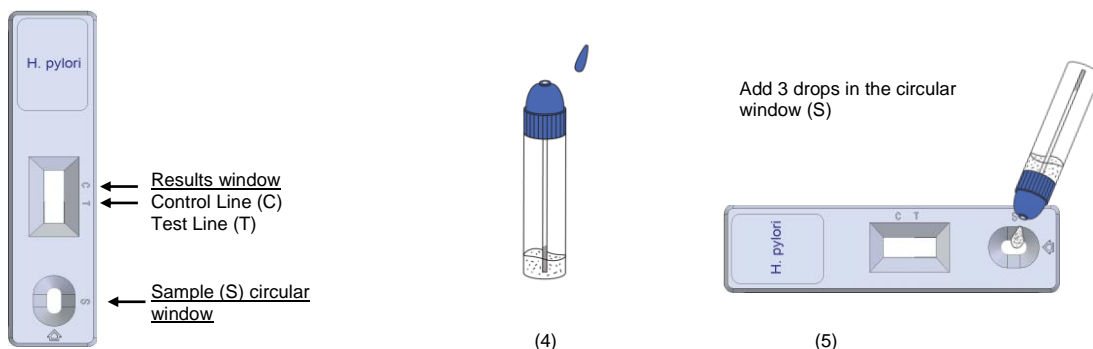
- Specimen collection container
- Disposable gloves
- Timer

### TEST PROCEDURE

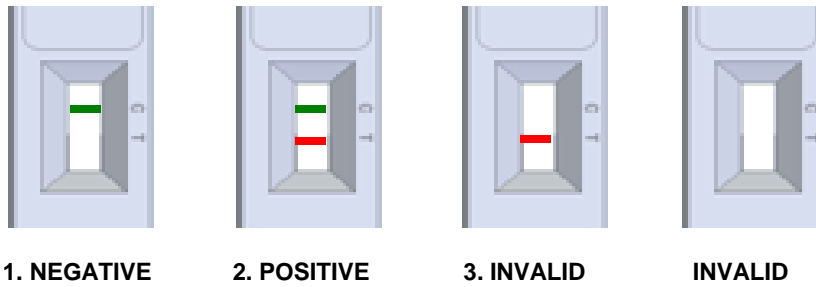
**Allow tests, stool samples and controls to reach room temperature (15-30°C) prior to testing. Do not open pouches until the performance of the assay.**

1. Proceed to shake the stool collection tube in order to assure good sample dispersion.
2. Remove the CerTest *H. pylori* card test from its sealed bag just before using it.
3. Take the stool collection tube, cut the end of the cap (4) and dispense 3 drops in the circular window marked with the letter S (5). Avoid adding solid particles with the liquid.
4. **Read the results at 10 minutes.** Do not read the test result later than 10 minutes.

If the test does not run due to solid particles, stir the sample added in the sample window (S) with the stick. If it doesn't work, dispense a drop of diluent until seeing the liquid running through the reaction zone.



## INTERPRETATION OF RESULTS (please refer to the illustration below)



	<i>H. pylori</i>	Interpretation of the results
1.	-	There is no <i>Helicobacter pylori</i> presence. No infection caused by <i>Helicobacter pylori</i> .
	GREEN	
2.	+	There is <i>Helicobacter pylori</i> presence. <i>Helicobacter pylori</i> infection, which might mean gastrointestinal diseases (stomach and duodenum) like gastritis, peptic ulcer disease or gastric carcinoma.
	GREEN-RED	
3.	Any other result	Invalid result, we recommend repeating the assay using the same sample with another test.

**NEGATIVE:** Only the GREEN line appears across the results window in the site marked with the letter C (control line).

**POSITIVE:** In addition to the GREEN control line, a RED line also appears in the site marked with the letter T (test line) in the results window.

**INVALID:** Total absence of the control coloured line (GREEN) regardless the appearance or not of the test line (RED). Insufficient specimen volume, incorrect procedural techniques or deterioration of the reagents are mostly the main reasons for control line failure. Review the procedure and repeat the assay with a new test. If the symptoms or situation still persist, discontinue using the test kit and contact your local distributor.

### NOTES ON THE INTERPRETATION OF RESULTS

The intensity of the red coloured band in the test line (T) in the results window will vary depending on the concentration of antigens present in the specimen. However, neither the quantitative value nor the rate of increase in antigens can be determined by this qualitative test.

### QUALITY CONTROL

Internal procedural control is included in the test. A green line appearing in the control line (C) in the results window is an internal control, which confirms sufficient specimen volume and correct procedural technique.

### LIMITATIONS

- The test must be carried out within 2 hours after opening the sealed bag.
- An excess of sample could cause wrong results (brown bands appear). Dilute the sample with the diluent and repeat the test.
- The intensity of test line may vary from very strong at high antigens concentration to faint when the antigens concentration is close to the detection limit value of the test.
- CerTest *H. pylori* should be used only with samples from human faeces. The use of other samples has not been established. The quality of the test depends on the quality of the sample; proper faecal specimens must be obtained.
- Positive results determine the presence of *Helicobacter pylori* in faecal samples; nevertheless, a positive result should be followed up with additional invasive techniques (endoscopy) to confirm the results. A confirmed infection should only be made by a physician after all clinical and laboratory findings have been evaluated and must be based in the correlation of the results with further clinical observations.
- A negative result is not meaningful because of it is possible the antigens concentration in the stool sample is lower than the detection limit value. If the symptoms or situation still persist, a *Helicobacter pylori* determination should be carried out, on a sample from an enrichment culture or using an invasive technique.
- Bloody stool samples can contain components that may cause non-specific reactions in the test. Every bloody stool sample whose result is positive should be followed up with other techniques of diagnosis to confirm the result.



## CERTEST *H. pylori*

One Step test to detect *Helicobacter pylori* in card format/  
Prueba de un solo paso para detección de *Helicobacter pylori* en formato cassette

8. Mucous stool samples may cause non-specific reactions in the test- Every mucous stool sample whose result is positive should be followed up with other techniques of diagnosis to confirm the result.

### EXPECTED VALUES

Studies have found that more than 90% of patients with duodenal ulcer and 80% of patients with gastric ulcer are infected with *Helicobacter pylori*. CerTest *H. pylori* has been compared with different methods: cultures, Urea Breath Test and Urease Test, demonstrating an overall accuracy of >92%.

### PERFORMANCE CHARACTERISTICS

#### Analytical sensitivity (detection limit)

Detection limit range is: 0.78ng/mL – 0.09ng/mL of *H. pylori* recombinant outer membrane protein.

#### Clinical sensitivity and specificity

An evaluation, with faecal samples, was performed comparing the results obtained by an immunochromatographic test (CerTest *H. pylori*, CerTest) and qPCR technique (VIASURE *Helicobacter pylori* Real Time Detection kit, CerTest). The samples were taken from patients with the same as *Helicobacter pylori* infection symptoms arrived in Gastroenterology area in a Spanish hospital. The results were as follows:

		qPCR test: Viasure <i>Helicobacter pylori</i> Real Time Detection kit		
		+	-	Total
IC test: CerTest <i>H. pylori</i>	+	54	1	55
	-	1	60	61
	Total	55	61	116

CerTest <i>H. pylori</i> vs Viasure <i>Helicobacter pylori</i> Real Time Detection Kit		
	Mean Value	95% CI (confidence interval)
Sensitivity	98.2%	90.3 – 100.0%
Specificity	98.4%	91.2 – 100.0%
PPV	98.2%	90.3 - 100.0%
NPV	98.4%	91.2 –100.0%

The results showed a high sensitivity and specificity to detect *Helicobacter pylori* using CerTest *H. pylori*.

#### Cross reactivity

An evaluation was performed to determine the cross reactivity of CerTest *H. pylori*; no cross reactivity against gastrointestinal pathogens occasionally present in faeces:

<i>Campylobacter coli</i>	<i>Salmonella enteritidis</i>	<i>Shigella dysenteriae</i>
<i>Campylobacter jejuni</i>	<i>Salmonella paratyphi</i>	<i>Shigella flexneri</i>
<i>Clostridium difficile</i>	<i>Salmonella typhi</i>	<i>Shigella sonnei</i>
<i>Escherichia coli</i> O157:H7	<i>Salmonella typhimurium</i>	<i>Staphylococcus aureus</i>
<i>Listeria monocytogenes</i>	<i>Shigella boydii</i>	<i>Yersinia enterocolitica</i>



**ESPAÑOL****USO PREVISTO**

CerTest *H. pylori* card test es una prueba inmunocromatográfica de un solo paso para la detección cualitativa de *Helicobacter pylori* en muestras de heces.

CerTest *H. pylori* card test ofrece un ensayo de cribado sencillo, de alta sensibilidad y no invasivo para realizar un diagnóstico presuntivo de infección por *Helicobacter pylori*.

**INTRODUCCIÓN**

*Helicobacter pylori* (*H. pylori*) es una bacteria con forma espiral que se encuentra en la mucosa gástrica o adherida a la capa epitelial del estómago. Se estima que esta bacteria es el causante de más del 90% de las úlceras duodenales y por encima del 80% de los carcinomas gástricos.

La importancia de las pruebas de *Helicobacter pylori* ha aumentado enormemente desde que ha sido descubierta la fuerte correlación entre la presencia de *H. pylori* y enfermedades gastrointestinales confirmadas (estómago y duodeno) como gastritis, úlcera péptica y carcinoma gástrico.

**FUNDAMENTO DEL TEST**

CerTest *H. pylori* es una prueba cualitativa inmunocromatográfica para la detección de *Helicobacter pylori* en muestras de heces.

La membrana de nitrocelulosa ha sido fijada previamente con anticuerpos monoclonales de ratón frente a *Helicobacter pylori* en la línea de test (T) en la ventana de resultados, y en la línea de control (C), con anticuerpos policlonales de conejo frente a una proteína específica. En el material absorbente para la muestra se ha dispensado una preparación de reactivos de la línea de test (anticuerpos monoclonales de ratón frente a *Helicobacter pylori*) conjugada con látex de poliestireno rojo y otra preparación para la línea de control (proteína específica de unión) conjugada con látex de poliestireno verde, formando dos complejos coloreados conjugados.

Si la muestra es positiva, los antígenos de la muestra diluida reaccionan con el complejo conjugado coloreado rojo (anticuerpos monoclonales anti-*Helicobacter pylori*-microesferas rojas de látex) el cual ha sido secado previamente en el material absorbente. Esta mezcla avanza por capilaridad a través de la membrana. Conforme la muestra va migrando también lo hacen los complejos conjugados. Los anticuerpos anti-*Helicobacter pylori* presentes en la membrana (línea de test) capturarán el complejo coloreado del test y la línea roja aparecerá. Esta línea se usará para la interpretación del resultado.

Si la muestra es negativa, no presenta antígenos de *Helicobacter pylori* o los antígenos están presentes en una concentración inferior al límite de detección y no se produce reacción con el complejo coloreado rojo. Los anticuerpos anti-*Helicobacter pylori* presentes en la membrana (línea de test) no capturarán el antígeno-complejo coloreado rojo (no formado) y no aparecerá la línea roja.

Independientemente de que la muestra sea positiva o no, la mezcla continuará moviéndose a través de la membrana hacia los anticuerpos inmovilizados frente a la proteína específica localizados en la línea de control. Estos anticuerpos anti-proteína específica presentes en la membrana capturarán el complejo conjugado de control y la línea de control verde siempre aparecerá. La aparición de esta línea se utiliza: 1) para verificar que se ha añadido el volumen de muestra suficiente, 2) que el flujo ha sido apropiado y 3) como control interno de los reactivos.

**CONDICIONES DE ALMACENAMIENTO**

El producto debe ser almacenado entre 2 y 30°C en su envase original sellado, para conseguir un óptimo funcionamiento hasta la fecha de caducidad impresa en el envase. No debe abrirse hasta el momento de su uso. No congelar.

**PRECAUCIONES**

- Sólo para uso profesional *in vitro*.
- No utilizar después de la fecha de caducidad.
- Las muestras se deben considerar potencialmente peligrosas y deben ser manipuladas de la misma forma que a un agente infeccioso. Un nuevo test deberá utilizarse para cada muestra para evitar errores de contaminación.
- Los tests usados deben ser gestionados como residuos sanitarios (contenedor de residuos sanitarios).
- Los reactivos contienen conservantes. Debe evitarse cualquier contacto con la piel o las mucosas. Consultar fichas de seguridad, disponibles bajo petición.
- Los componentes proporcionados con el kit son aprobados para su uso con CerTest *H. pylori* test. No se deben usar con componentes de otros kits comercializados.
- La presencia de líneas amarillentas en la ventana de resultados (zona línea de control y zona línea de test), antes de utilizar el test, es completamente normal y no supone fallo de funcionalidad del test.

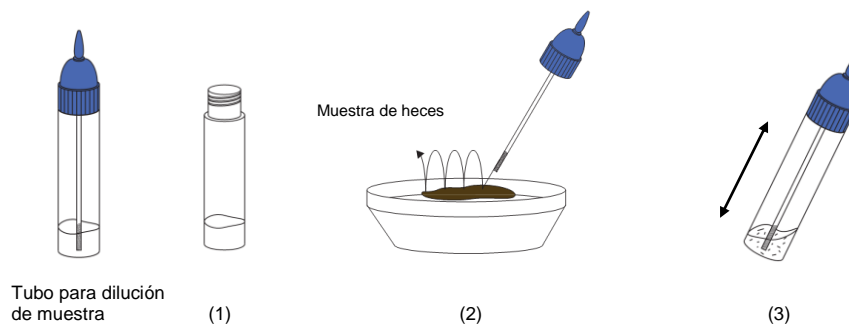
- Seguir las Buenas Prácticas de Laboratorio, llevar ropa de protección adecuada, usar guantes desechables, gafas de protección y mascarilla. No comer, ni beber o fumar en la zona de trabajo.

### RECOGIDA DE MUESTRAS Y PREPARACIÓN

Las muestras deben ser recogidas en un recipiente limpio. Las muestras se deben conservar en frío (2-8°C), durante 1-2 días, hasta el momento de utilizarlas. Para conservar las muestras durante un tiempo prolongado, como máximo 1 año, deben mantenerse congeladas a -20°C. En este caso, la muestra debe descongelarse totalmente y alcanzar la temperatura ambiente para poder utilizarla en la prueba. Homogeneizar la muestra vigorosamente antes de su preparación.

#### Preparación de la muestra (ver dibujo):

1. Abrir el tubo para dilución de muestra (1) y con ayuda del palito tomar suficiente cantidad de muestra de las heces recogidas. Para ello se introducirá el palito una sola vez en 4 zonas distintas de la muestra (2), asegurándose de que, en cada inserción, la hélice del palito se cubra con la muestra para tomar la cantidad adecuada de heces (aprox. 50mg) y posteriormente se introducirá la muestra en el tubo para dilución de muestra. Si se añade cantidad de muestra adicional que sobrepase la hélice del palito se podrían originar resultados erróneos. Para muestras líquidas, añada aprox. 125µL en el tubo para dilución de muestra utilizando una micropipeta.
2. Cerrar el tubo que contiene la muestra y el diluyente. Agitarlo para facilitar la dispersión de la muestra (3).



### MATERIALES

#### MATERIALES SUMINISTRADOS

- CerTest *H. pylori* card tests
- Instrucciones de uso
- Tubos para dilución de muestra con diluyente

#### MATERIALES NECESARIOS NO SUMINISTRADOS

- Recipiente para recogida de muestras
- Guantes desechables
- Cronómetro

### PROCEDIMIENTO

**Previamente los tests, las muestras de heces y los controles se deben acondicionar a la temperatura ambiente (15-30°C). No abrir los envases hasta el momento de la prueba.**

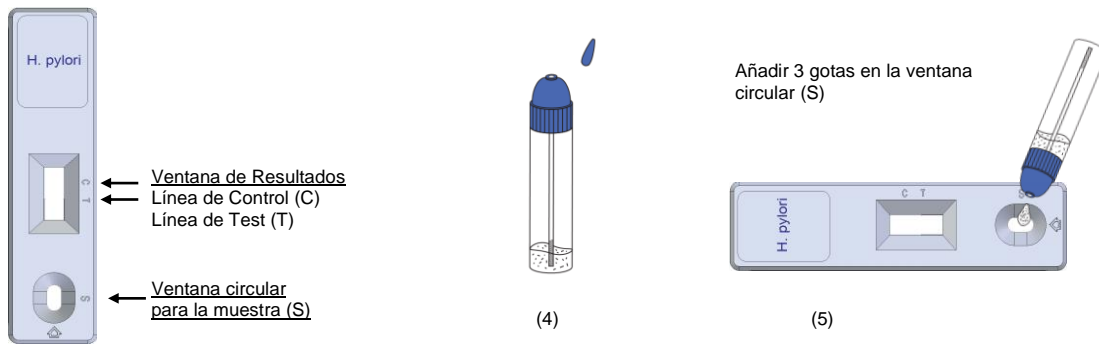
1. Agitar el tubo para dilución de la muestra para asegurar una buena dispersión.
2. Sacar el test CerTest *H. pylori* de su envase antes de utilizarlo.
3. Tomar el tubo para dilución de la muestra, cortar la punta del tapón (4) y añadir 3 gotas del líquido en la ventana circular marcada con la letra S (5), evitando añadir partículas sólidas con el líquido.
4. **Leer el resultado a los 10 minutos.** No leer el resultado superados los 10 minutos.

Si se da el caso de que el test no funciona debido a la presencia de partículas sólidas, agitar con el palito la muestra en la ventana (S). Si no funciona, añadir una gota de diluyente hasta que se vea avanzar el líquido por la zona de resultados.

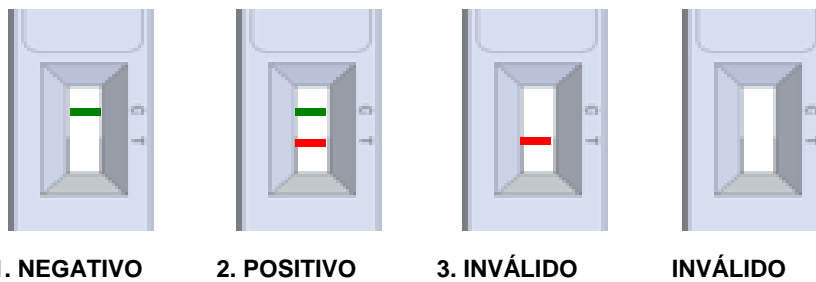


## CERTEST *H. pylori*

One Step test to detect *Helicobacter pylori* in card format/  
Prueba de un solo paso para detección de *Helicobacter pylori* en formato cassette



### INTERPRETACIÓN DE RESULTADOS (Por favor, fíjese en el siguiente dibujo)



	<i>H. pylori</i>	Interpretación de resultados
1.	- VERDE	No hay presencia de <i>Helicobacter pylori</i> . No hay infección causada por <i>Helicobacter pylori</i> .
2.	+ VERDE-ROJO	Hay presencia de <i>Helicobacter pylori</i> . Infección por <i>Helicobacter pylori</i> , lo que podría significar presencia de enfermedades gastrointestinales (estómago y duodeno) como gastritis, úlcera péptica o carcinoma gástrico ya que existe alta correlación entre la presencia de esta bacteria y estas enfermedades.
3.	Cualquier otro resultado	Resultado inválido, se recomienda repetir la prueba con la misma muestra y otro test.

**NEGATIVO:** Una sola línea de color VERDE aparece en la ventana de resultados del test, en la zona marcada con la letra C (línea de control).

**POSITIVO:** Además de la línea de control VERDE, también aparece una línea ROJA en la zona marcada con la letra T (línea de test) en la ventana de resultados.

**INVÁLIDO:** Cuando la línea de control (VERDE) no aparece, independientemente de que aparezca o no la línea de test (ROJA). Las causas más comunes por las que puede aparecer un resultado inválido son: un volumen insuficiente de muestra, una forma de proceder incorrecta o un deterioro de los reactivos. Si ocurriera esto, debe revisarse el procedimiento y repetir la prueba con un nuevo test. Si los síntomas o la situación persisten, debe dejar de utilizar la prueba y contactar con su distribuidor.

### OBSERVACIONES

La intensidad de la línea de color rojo en la línea de test (T) en la ventana de resultados variará dependiendo de la concentración de antígenos presente en la muestra. Sin embargo, esta prueba es cualitativa, por lo que, ni la cantidad ni la tasa de aumento de antígenos pueden ser determinados por la misma.

### CONTROL DE CALIDAD

El control interno de funcionamiento viene incluido en la prueba. La línea verde que aparece en la línea de control (C) en la ventana de resultados es el control interno del proceso, comprobando que el volumen de muestra es suficiente y que el procedimiento seguido ha sido el adecuado.

### LIMITACIONES

1. Una vez abierto, el test no debe usarse después de 2 horas.
2. Un exceso de muestra de heces puede dar resultados erróneos, dando líneas no muy definidas de color pardo, que no tienen ningún valor diagnóstico. Diluir la muestra con el diluyente y repetir el test.
3. La intensidad de la línea del test puede variar desde muy fuerte a alta concentración de antígenos a débil cuando la concentración de antígenos está cerca del valor del límite de detección del test.
4. CerTest *H. pylori* debería utilizarse sólo con muestras de heces humanas. El uso de otras muestras no ha sido determinado. La calidad del test depende de la calidad de la muestra; por lo que se debe realizar una adecuada toma de muestras fecales.
5. Los resultados positivos determinan la presencia de *Helicobacter pylori* en muestras de heces; sin embargo, un resultado positivo debería ser contrastado con otras técnicas diagnósticas invasivas (endoscopia) para confirmar los resultados. La infección debe confirmarse por un especialista o médico cualificado, tras evaluar las pruebas clínicas y los hallazgos de laboratorio teniendo en cuenta la correlación que puede existir con todas las observaciones clínicas.
6. Un resultado negativo no se debe considerar como concluyente, puede darse que la concentración de antígenos en la muestra de heces sea inferior al valor del límite de detección. Si los síntomas o la situación persisten, para la determinación de *Helicobacter pylori*, se debería repetir la prueba con la muestra previamente sometida a enriquecimiento o se debería utilizar otras técnicas invasivas.
7. Las muestras de heces sanguinolentas contienen componentes que podrían causar reacciones inespecíficas en el test. Toda muestra sanguinolenta cuyo resultado es positivo debe confirmarse con otras técnicas.
8. Muestra de heces mucosas podrían provocar reacciones inespecíficas en el test. Toda muestra de heces mucosas cuyo resultado sea positivo debería ser contrastado con otras técnicas diagnósticas para confirmar el resultado.

### VALORES ESPERADOS

Diversos estudios han encontrado que más del 90% de pacientes con úlceras duodenales y un 80% de pacientes con úlcera gástrica están infectados con *Helicobacter pylori*. CerTest *H. pylori* ha sido comparado con diferentes métodos: cultivos, Test del Aliento y Test de la Ureasa, mostrando una exactitud >92%.

### CARACTERÍSTICAS DEL TEST

#### Sensibilidad analítica (límite de detección)

El rango de límite de detección es: 0.78ng/mL – 0.09ng/mL de proteína recombinante de membrana externa de *H. pylori*.

#### Sensibilidad y especificidad clínica

Se llevó a cabo una evaluación, con muestras de heces, comparando los resultados obtenidos por un test inmunocromatográfico (CerTest *H. pylori*, CerTest) y técnica qPCR (VIASURE *Helicobacter pylori* Real Time Detection Kit, CerTest). Las muestras fueron tomadas de pacientes con síntomas de infección por *Helicobacter pylori* del área de gastroenterología de un hospital español. Los resultados se muestran a continuación:

		qPCR test: Viasure <i>Helicobacter pylori</i> Real Time Detection kit		
		+	-	Total
IC test: CerTest <i>H. pylori</i>	+	54	1	55
	-	1	60	61
	Total	55	61	116

## CERTEST *H. pylori*

One Step test to detect *Helicobacter pylori* in card format/  
Prueba de un solo paso para detección de *Helicobacter pylori* en formato cassette

CerTest <i>H. pylori</i> vs Viasure <i>Helicobacter pylori</i> Real Time Detection Kit		
	Valor Medio	95% intervalo de confianza
<b>Sensibilidad</b>	98.2%	90.3 – 100.0%
<b>Especificidad</b>	98.4%	91.2 – 100.0%
<b>VPP</b>	98.2%	90.3 - 100.0%
<b>VPN</b>	98.4%	91.2 –100.0%

Los resultados mostraron que CerTest *H. pylori* presenta una alta sensibilidad y especificidad para detectar *Helicobacter pylori*.

### Reacciones cruzadas

Se realizó una evaluación para determinar posibles reacciones cruzadas de CerTest *H. pylori*; no se detectó reacción cruzada con patógenos gastrointestinales ocasionalmente presentes en las heces:

<i>Campylobacter coli</i>	<i>Salmonella enteritidis</i>	<i>Shigella dysenteriae</i>
<i>Campylobacter jejuni</i>	<i>Salmonella paratyphi</i>	<i>Shigella flexneri</i>
<i>Clostridium difficile</i>	<i>Salmonella typhi</i>	<i>Shigella sonnei</i>
<i>Escherichia coli</i> O157:H7	<i>Salmonella typhimurium</i>	<i>Staphylococcus aureus</i>
<i>Listeria monocytogenes</i>	<i>Shigella boydii</i>	<i>Yersinia enterocolitica</i>

### REFERENCES/BIBLIOGRAFÍA

1. Bruce E. Dunn, Hartley Cohen & Martin J. Blaser. *Helicobacter pylori*. Clin. Microbiol. Rev. 10 (4), 720-741, Oct. (1997).
2. Martin J. Blaser. *Helicobacter pylori* and gastric diseases. BMJ; 316: 1507-1510 (1998).
3. John L. Telford, Antonello Covacci, Rino Rappuoli & Paolo Ghiara. *Immunobiology of Helicobacter pylori infections*. Current Opinion in Immunology, 9; 498-503 (1997).

### SYMBOLS FOR IVD COMPONENTS AND REAGENTS/SÍMBOLOS PARA REACTIVOS Y PRODUCTOS PARA DIAGNÓSTICO IN VITRO

IVD In vitro diagnostic device Producto para diagnóstico in vitro	Keep dry Almacenar en lugar seco	Use by Fecha de caducidad	Manufacturer Fabricante	LOT Batch code Número de lote
Consult instructions for use Consultar las instrucciones de uso	Temperature limitation Limitación de temperatura	Contains sufficient for <n> test Contiene <n> test	DIL Sample diluent Diluyente de muestra	REF Catalogue number Número de referencia
Do not re-use No reutilizar	CE CE marking/ Marcado CE			



**CerTest**  
BIOTEC S.L.

Pol. Industrial Río Gállego II, Calle J, Nº 1,  
50840, San Mateo de Gállego, Zaragoza (SPAIN)  
[www.certest.es](http://www.certest.es)



F-368 rev00