



PRODUCT

# Lower limbs traction device

PRODUCT CODE

**4-09-100-v2**



PRODUCT DESCRIPTION

## Key features

- It is used to operate on lower limb fractures,
- The set includes, among others trapezoidal seat, two traction devices, two traction shoes, two heel holders, supports, countertraction post, plastering support,
- The design enables the C-arm to work,
- Stainless steel construction.

### Technical parameters

Length	1802 x 1234 x 969 mm
Product weight	60 kg

### Application



Orthopedic and Traumatology

### Accessory equipment

Bar support 4-09-101 (2 pcs), Leg support 4-09-102 (2 pcs), Support for plastering 4-09-103 (1 pce), Heel holder 4-09-104 (2 pcs), Foot grip 4-09-105 (2 pcs), Support grip 4-09-106-v2 (4 pcs), Traction mechanism 4-09-107 (2 pcs), Foot support (4-09-108), Resistance roll 4-09-100-09 (1 pce), Support for arms of orthopaedic attachment (4-09-122 2 pcs).



### Additional information

Product compatible with:  
ALVO Rapsodia 4-05, ALVO Serenada/Serenada-B 4-04, ALVO Sonata 4-03, ALVO Etiuda 4-02.

### Required accessories

Trolley for installing orthopedic attachment (4-09-002), Optional accessories: Knee support for lateral position with lower limbs traction device (4-09-121), lateral position countertraction post for lower limbs traction device (4-09-120-v2), mobile holder for orthopedic attachment (4-09-001-v3), pediatric feet holder (4-09-109).

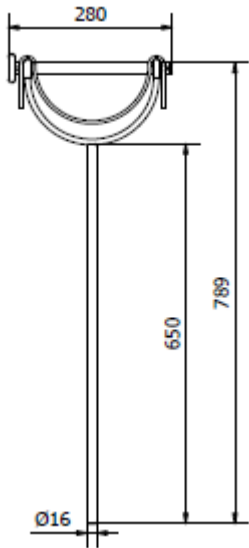


Check out other products from our offer  
[www.alvo.pl](http://www.alvo.pl)

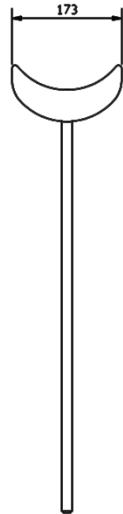


DETAILS

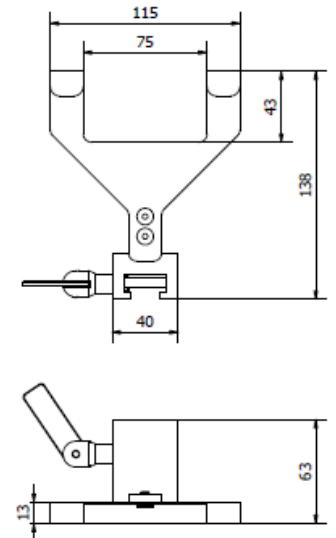
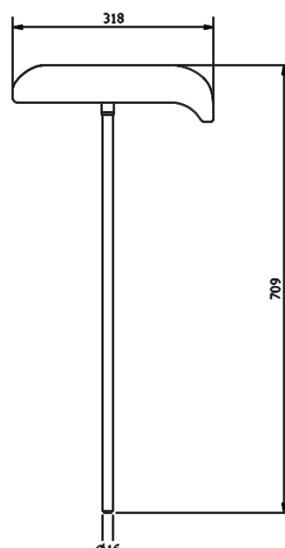
**Accessory equipment**



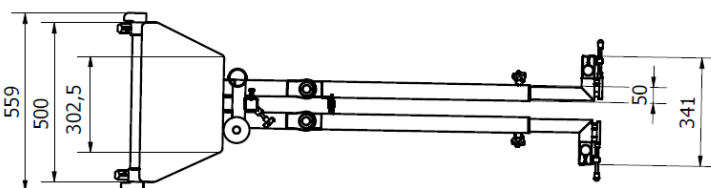
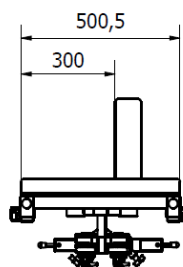
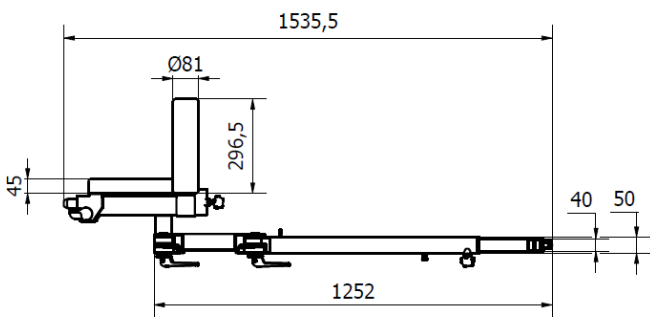
Bar support (4-09-101)



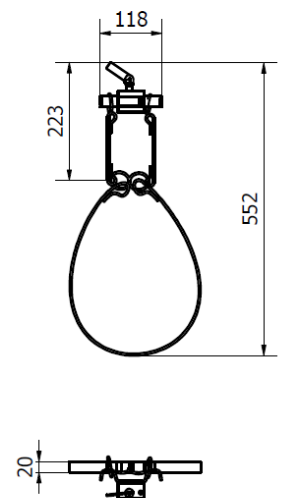
Foot support (4-09-102)



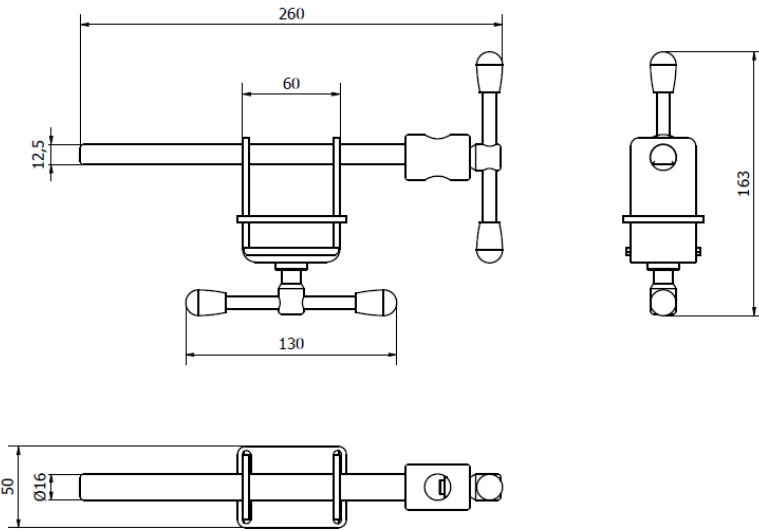
Heel holder (4-09-104)



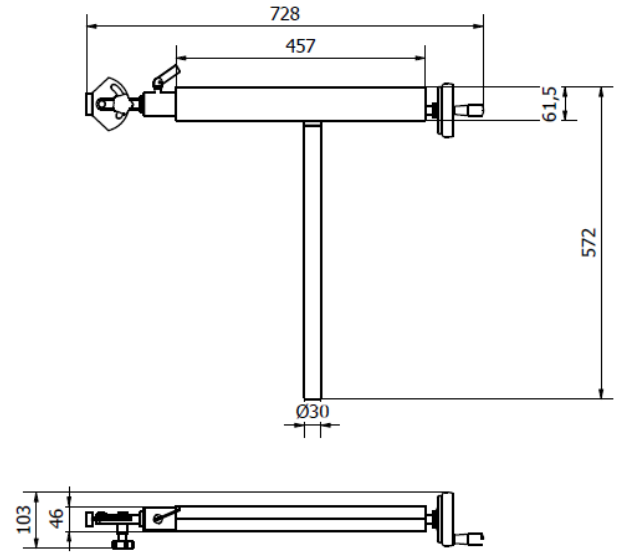
Support for plastering (4-09-103)



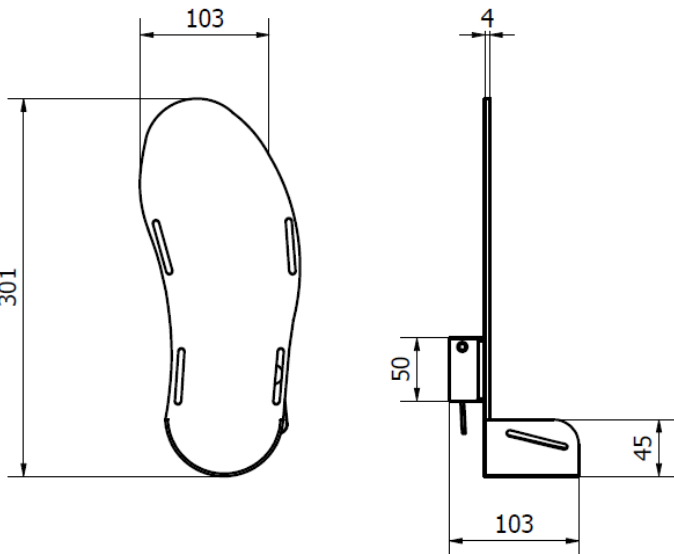
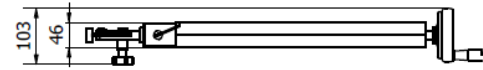
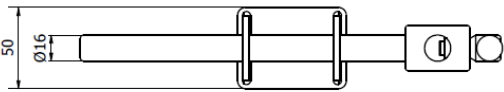
Foot grip (4-09-105)



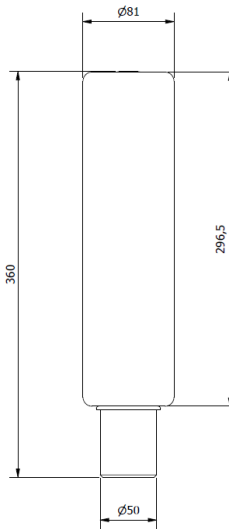
Support grip (4-09-106-v2)



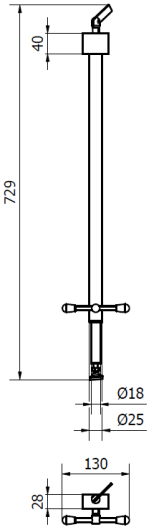
Traction mechanism (4-09-107)



Foot support (4-09-108)



Resistance roll (4-09-100-09)

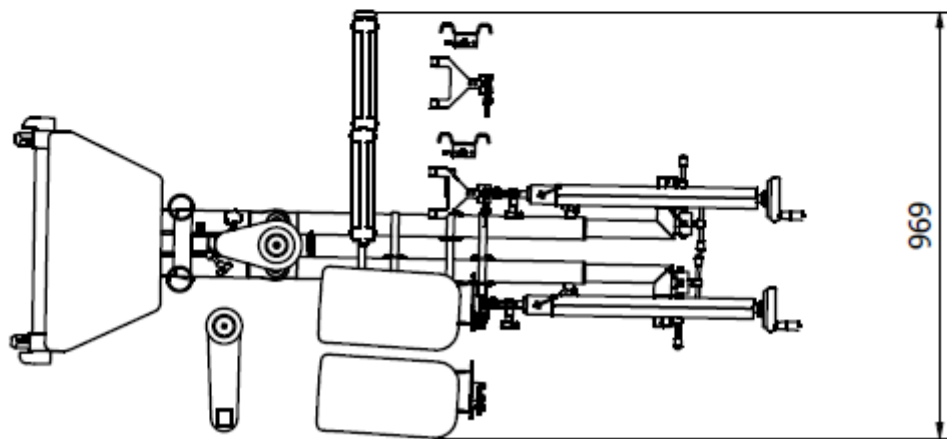
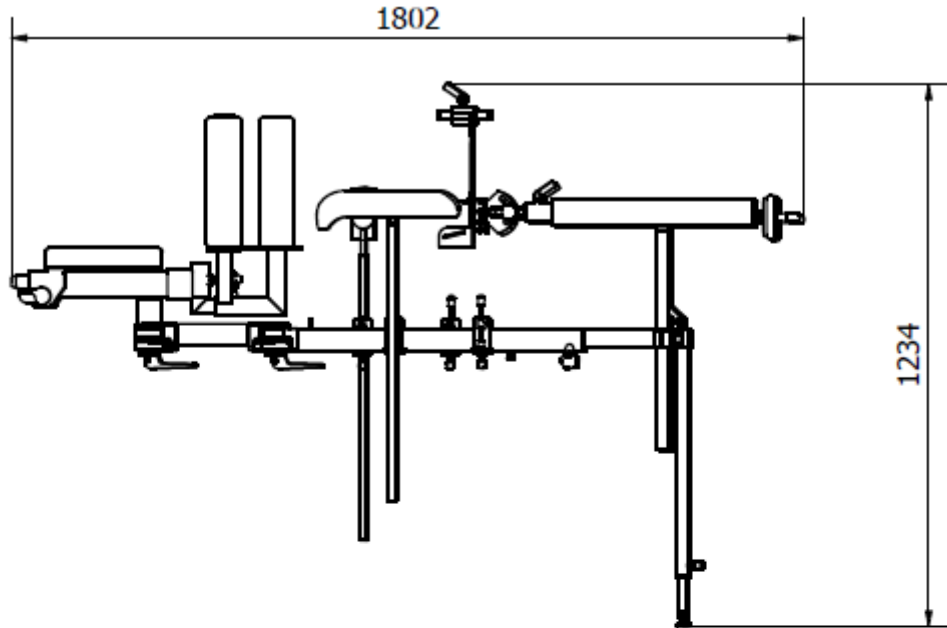


Support for arms of orthopaedic attachment (4-09-122)



DETAILS

## Product dimensions



Check out other products from our offer  
[www.alvo.pl](http://www.alvo.pl)



We reserve the right to change the design, construction, dimensions and finish of our products, with the aim of modernizing them and improving functionality. The values given are external dimensions.