



REGISTRUL DE STAT AL DISPOZITIVELOR MEDICALE

Tip	Denumire
I.2. Declarația de conformitate CE	Declaratie de conformitate CE_Fenix
I.2. Declarația de conformitate CE	Declaratie de conformitate CE_Vivax

Введите текст для поиска...

Nr	Denumire	Den.comerc.	Model	Nr. catalog	Tara	Producatorul	Reprezentant	Ordin	Data	Cod vam
						infimed	datacontrol			
DM000303246	MASĂ DE OPERAȚIE	FENIX	OT-01		Polonia	INFIMED SP. Z O.O.	F.C.P.C. DATACONTROL S.R.L.	Rg04-000037	09-02-2021	
DM000303247	MASĂ DE OPERAȚIE	VIVAX	OT-02		Polonia	INFIMED SP. Z O.O.	F.C.P.C. DATACONTROL S.R.L.	Rg04-000037	09-02-2021	
DM000303245	LAMPĂ DE EXAMINARE	ONYX	TL-01		Polonia	INFIMED SP. Z O.O.	F.C.P.C. DATACONTROL S.R.L.	Rg04-000037	09-02-2021	
DM000303243	LAMPĂ CHIRURGICALĂ	NEXUS	OL-02		Polonia	INFIMED SP. Z O.O.	F.C.P.C. DATACONTROL S.R.L.	Rg04-000037	09-02-2021	
DM000303244	LAMPĂ CHIRURGICALĂ	PROXY	OL-03		Polonia	INFIMED SP. Z O.O.	F.C.P.C. DATACONTROL S.R.L.	Rg04-000037	09-02-2021	
DM000303242	LAMPĂ CHIRURGICALĂ	NEXUS	OL-01		Polonia	INFIMED SP. Z O.O.	F.C.P.C. DATACONTROL S.R.L.	Rg04-000037	09-02-2021	

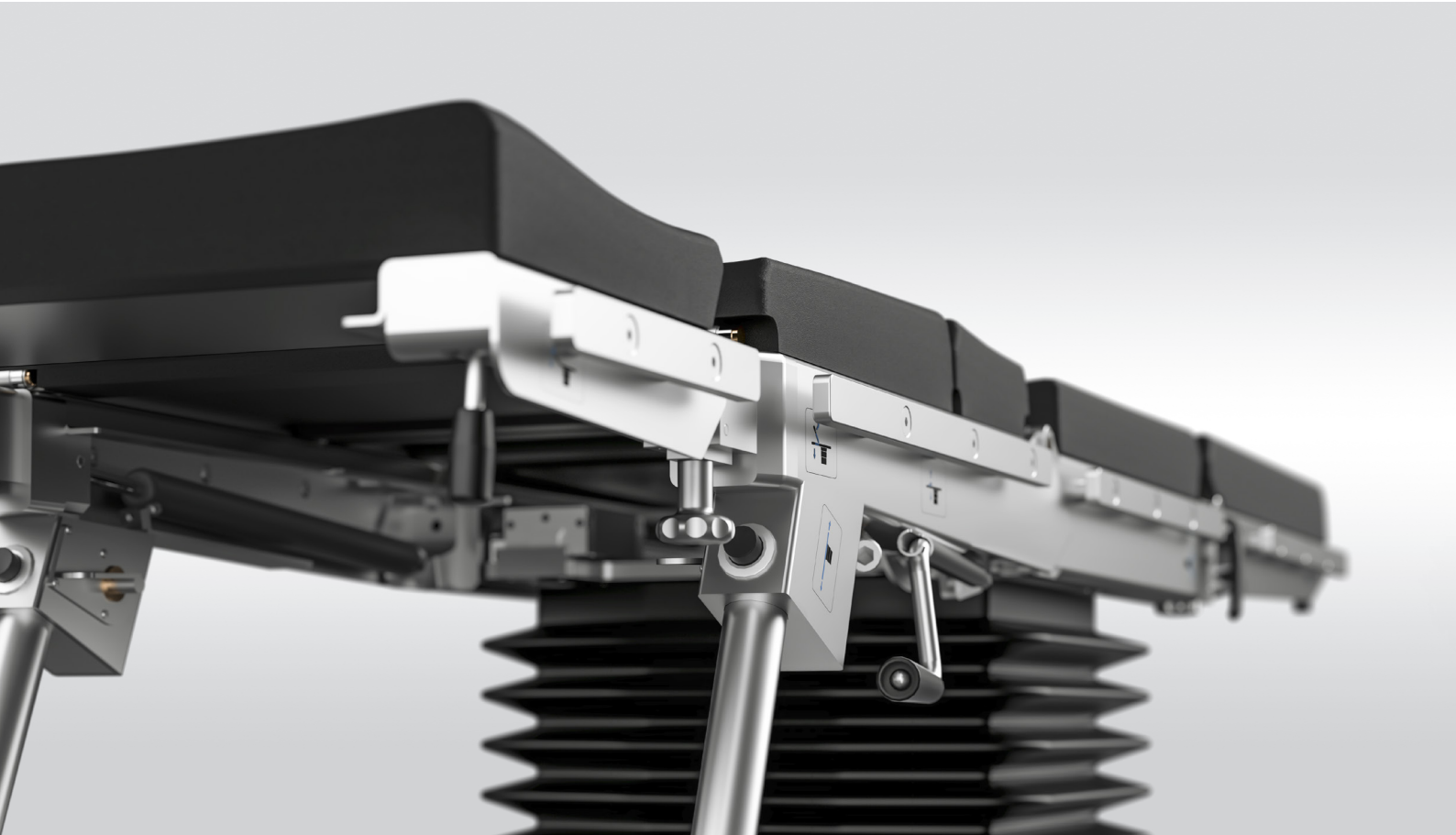
Содержит('Reprezentant', 'datacontrol') и Содержит('Producatorul', 'infimed')



Operating Tables

FENIX OT-01

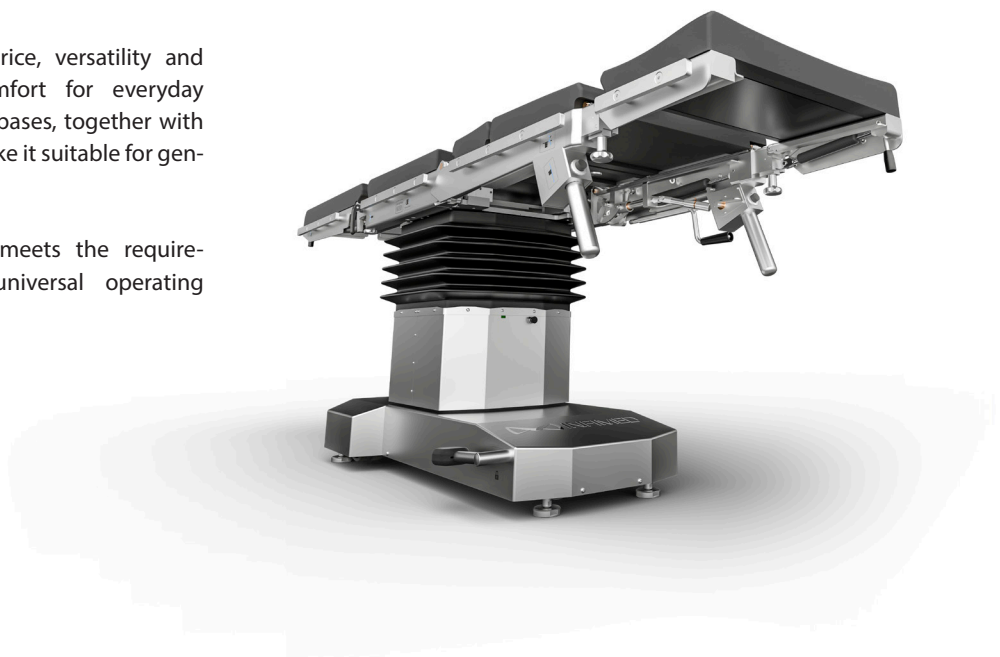
VIVAX OT-02



Quality
Cost Effectiveness
Versatility

Outstanding quality for reasonable price, versatility and functionality ensure operational comfort for everyday surgical work. Optional table tops and bases, together with wide range of additional accessories make it suitable for general and specialist surgical procedures.

Adjustment possibilities and ranges meets the requirements demanded by a modern universal operating tables.



OT-01 / OT-02



Operating table VIVAX with optional "Super mobile" base



Operating table VIVAX with standard "T" base

Design

Standard "T" base with 5 antistatic castors, (4 rear castors in 2 pairs and directional one in the front), with foot operated central brake.

Optionally available base "Super mobile" for enhanced manoeuvrability and better access to the operating field, thanks to 4 antistatic castors diam. 125 mm. Driving system with foot operated central brake and directional castor.

The elements of the table top, base and column covers are made of matt polished stainless steel, which makes the surfaces smooth and hygienic. The covers are impact resistant, easy to clean, prevent fluid ingress, minimizing infection risk.

High quality, ergonomically profiled, antistatic mattresses made of polyurethane foam of thickness 50 mm, or made of foam with antistatic leather of the thickness 80 mm, fixed by velcro straps. Easy removable, with antibacterial protection, seamless, ensure maximum hygiene and prevent against cross contamination.

Table tops for general surgeries:



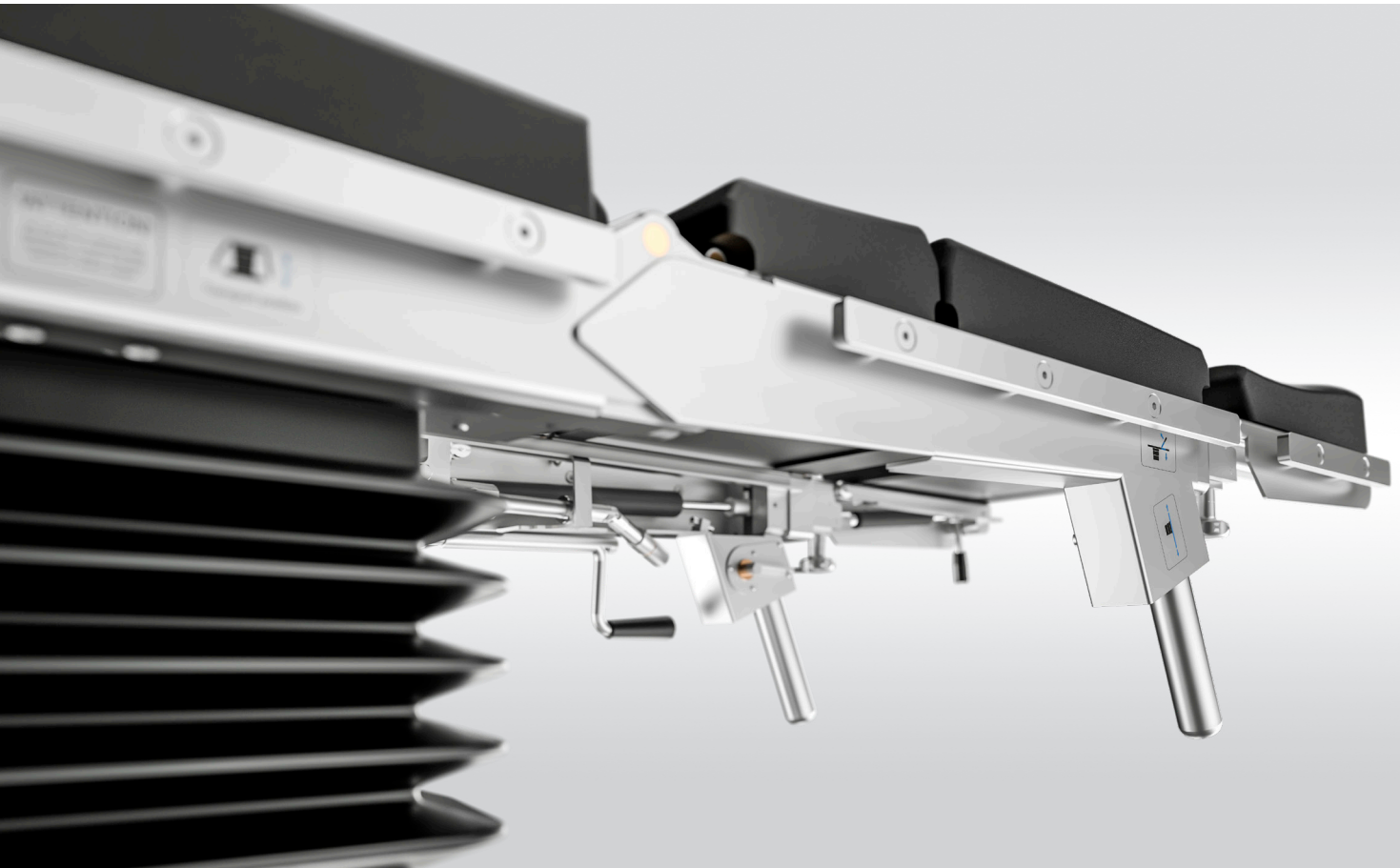
Modular table top



5 section table top



4 section table top



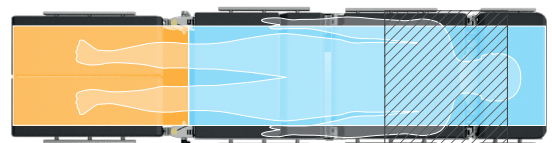
Imaging Flexibility

Multisectional (4,5 or 6 sectioned) table tops, full-length C-Arm radio translucent.

Superior imaging is ensured by full length X-ray cassette tunnel (except foot sections), with possibility of inserting the cassette from both sides, head rest and foot rests interchangeable and longitudinal slide (350 mm).

The tabletop sections are filled with HPL boards. Optionally can be filled with carbon fibre boards, to enable perfect imaging.

- X-ray cassette tunnel and access to C-arm
- Access to C-arm only
- Table column - no access to C-arm



Schemes description

Table top moved to the head side, interchanged head and foot sections

OT-01 / OT-02

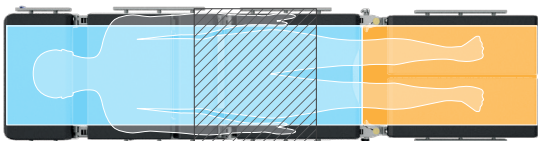


Table top moved to the foot side

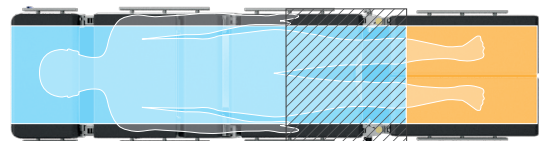


Table top moved to the head side



Trendelenburg position



Elevated backrest, lowered footrests position

Features

- Battery powered, with charger built-in the base.
- Unique software providing smooth and precise table movements.
- Superior electro- hydraulic system, with technical solutions of the world leading micro-hydraulics provider.



INFIMED OPERA Control System

Controls

- Robust wire controller with visual battery level indication, ideal for simple, intuitive control (standard)
- Wire controller with LCD screen (option)
- Wireless controller (option)
- Sensor side control panel on the table column (option)
- LCD side control panel on the table column (option)
- Foot controller.
- Wall control panel (OPERA system).



Wire controller



Wire controller with LCD screen

OT-02



Kidney bridge position



Beach chair position

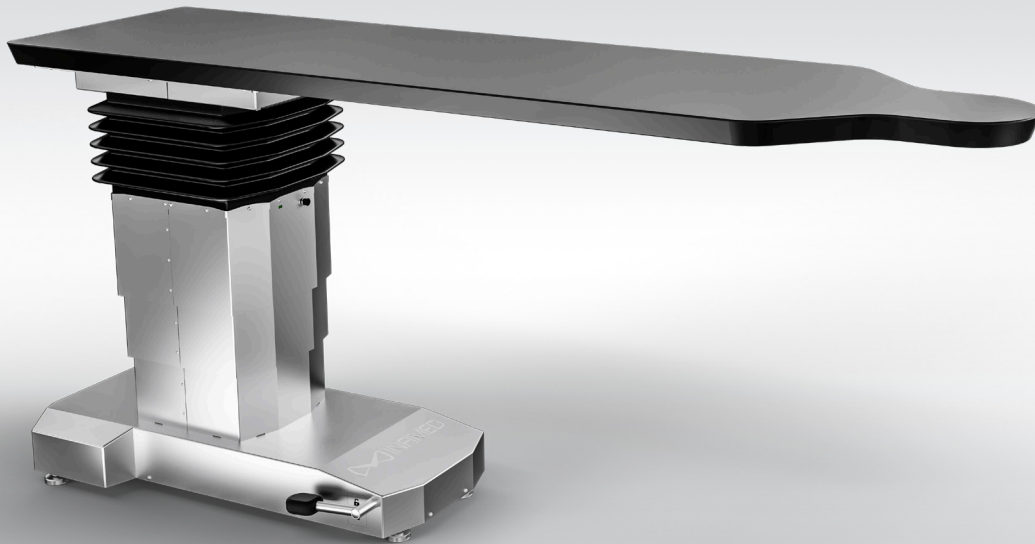
- Optional override control system, mechanic-hydraulic, used in case of corded hand control damage, failure of drive or main control system.
- Range of table movements controlled via electro-hydraulic drive:
 - Height adjustment,
 - Table top tilts: lateral and longitudinal (Trendelenburg and Rev- Trendelenburg),
 - Back rest section and kidney bridge (option),
 - Longitudinal slide (option)
 - Central brake (option).
- Adjustment angles of 40° Trendelenburg/ Rev Trendelenburg and and 30° tilt make it ideal solution for minimally invasive procedures.
- Range of table movements controlled mechanically or gas spring supported:
 - Backrest section and kidney bridge,
 - Footrest sections,
 - Headrest sections,
 - Longitudinal slide.



Sensor slide control panel



LCD side control panel



Specialized angiography operating table VIVAX OT-02

Application:

Operations with simultaneous radiolucency of the operating field: intraoperative radiology and angiography, heart and vascular surgery.

Main Features:

- Standard "T" base with central brake.
- Carbon fibre table top, ensuring maximum X-ray transparency and unrestricted access for C-arm
- Range of table movements controlled via electro-hydraulic drive:
 - Height adjustment
 - Table top tilts: lateral and longitudinal (Trendelenburg and Rev-Trendelenburg)
 - Longitudinal slide (option)
 - Lateral slide (option)
- Range of table movements controlled mechanically or gas spring supported:
 - Central brake

Controls

- standard wire controller
- joystick (option)



Joystick

OT-02



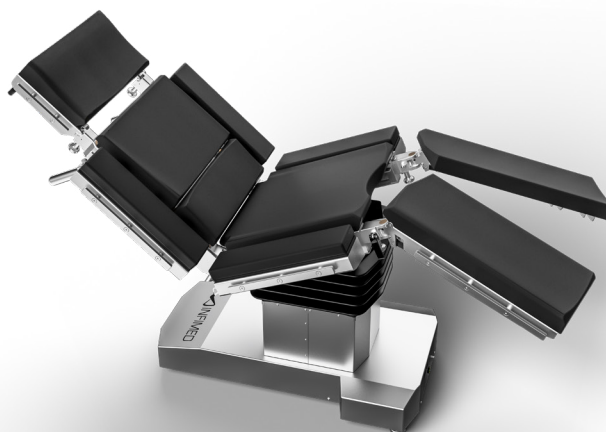
Specialized bariatric operating table VIVAX OT-02

Application: Bariatric operations of patients weighing up to 450 kg.

Main Features:

- Standard "T" base with central brake.
- Table-top with increased width, using special extensions, in order to support heavy patients.
- Range of table movements controlled via electro-hydraulic drive:
 - Height adjustment
 - Table top tilts: lateral and longitudinal (Trendelenburg and Rev-Trendelenburg)
 - Back rest section
 - Longitudinal slide
 - Kidney bridge (for 5,6 sections table-tops),
 - Central brake

- Range of table movements controlled mechanically or gas spring supported:
 - Foot rest sections
 - Head rest section





Specialized orthopaedic operating table VIVAX OT-02

Application: Orthopaedic, traumatology, shoulder surgeries.

Main Features:

- Standard "T" base with central brake.
- Table-top with fully detachable shoulder sections for unrestricted surgical access, with horseshoe headrest.
- Orthopaedic attachment fixed in place of the foot rest sections.
- Range of table movements controlled via electro-hydraulic drive:
 - Height adjustment
 - Table top tilts: lateral and longitudinal (Trendelenburg and Rev-Trendelenburg)
 - Back rest section and longitudinal slide (options)

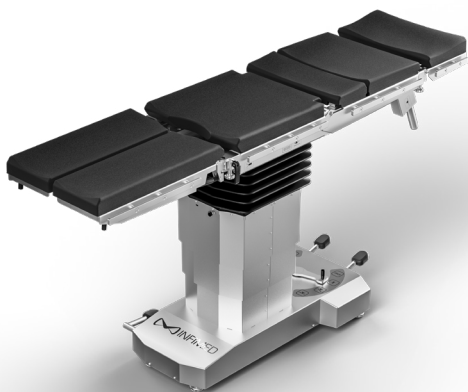
- Range of table movements controlled mechanically or gas spring supported:
 - Back rest section
 - Headrest section
 - Central brake





Features

- Powered by hydraulic system, operated via foot position selector and foot levers,
- Height and table top tilts adjustment available from head end enabling easy operation by the hospital staff





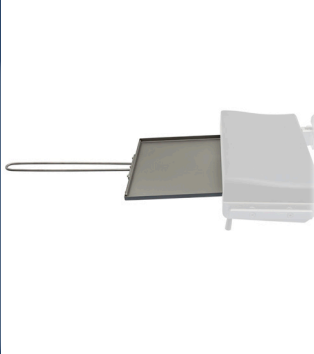

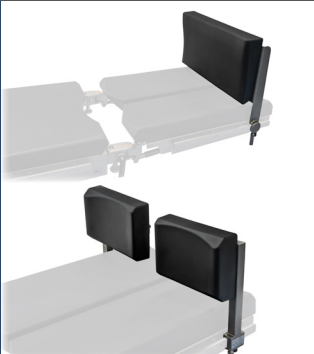

Controls


- Range of table movements controlled hydraulically:
 - Height adjustment,
 - Table top tilts: lateral and longitudinal (Trendelenburg and Rev-Trendelenburg).
- Range of table movements controlled mechanically or gas spring supported:
 - Back rest section and kidney bridge,
 - Footrest sections,
 - Headrest sections,
 - Longitudinal slide (option).

Examples of additional accesories for opearating tables *			
			
EB-01 One position clamp	EB-02 Multi position clamp	EB-03 Knee support	EB-04 Angle arm support
			
EB-05 Arm support	EB-06 Thigh holder	EB-07 Side-shoulder support	EB-08 Side support
			
EB-09 Anesthetic frame	EB-10 Anesthetic frame with adjustable width	EB-11 Infusion holder	EB-12 Hand/shank holder
			
EB-13 Support for meniscus operation	ES-01 Leg strap ES-02 Thigh strap	ES-03 Abdominal strap	ES-04 Hand/wrist strap

Additional Accesories

Examples of additional accesories for opearating tables *

			
ES-05 Gyneacological bowl	ES-06 Urological bowl	ES-07 Holder for additional equipment	ES-08 Holder for arm operations
			
ES-09 Holder for tubes	ES-10 Tray for additional accessories	ES-11 X-ray tray	ES-12 Chest support
			
ES-13 Attachment for knee operations	ES-14 Pubic support	ES-15 Leg support, not-divided ES-21 Leg support, divided	ES-16 Proctological attachment
			
ES-20 Side extension for bariatric tabletop	EN-01 Specialistic head rest with adjustable track	EN-02 Specialistic head rest, horseshoe	DORO neurosurgical attachment

Examples of additional accesories for opearating tables *			
			
EO-01 Orthopaedic attachment with two extension devices and support roll		EO-02 Bar suport	EO-03 Leg support
	 		
EO-04 Support for plastering	EO-05 Heel holder EO-06 Foot support	EO-07 Clamp for orthopaedic attachment supports	EO-08 Knee operation attachment for orthopedic attachment
			
EO-09 Hip support for lateral decubitus position	EO-10 Support for orthopedic attachment arms	EO-11 Knee support for side positions	EO-12 Trolley for installation of orthopedic attachment
			
EO-13 Mobile stand for orthopedic accesories	EO-14 Leather shoes for orthopedic attachment	EO-20 Attachment for hand operating	EO-30 Attachement for shoulder operations with head rest EN-02

Technical parameters

Technical parameters of operating tables INFIMED VIVAX	OT-02 standard	OT-02 angiography version	OT-02 bariatric version
Total length of the table with 4, 5 sections, modular, orthopedic and bariatric table tops	2100 mm	----	2100 mm
Total length of the table with 6 sections table top	2300 mm	----	2300 mm
Total length of the table carbon fibre table top	----	2200 mm	----
Table top width (without / with side rails)	500 mm / 560 mm	600 mm	800 mm/ 860 mm **
Standard height adjustment, with mattress 50 mm (electro-hydraulic)	730 mm – 1080 mm	----	730 mm – 1080 mm
Extended height adjustment with mattress 50 mm (electro-hydraulic)	700 mm – 1150 mm	----	700 mm – 1150 mm
Height adjustment, without mattress (electro-hydraulic), with longitudinal and lateral slide	----	800 mm – 1150 mm	----
Height adjustment, without mattress (electro-hydraulic), with longitudinal slide	----	730 mm – 1080 mm	----
Height adjustment, without mattress (electro-hydraulic), fixed	----	660 mm – 1010 mm	----
Lateral tilts adjustment (electro-hydraulic)	± 30°	± 20°	± 30°
Trendelenburg / reverse-Trendelenburg adjustment (electro-hydraulic)	± 40°	± 20°	± 40°
Backrest adjustment (pneumatic)	- 45° ; +85°	----	----
Optional backrest adjustment (electro-hydraulic)*	- 35° ; +85°	----	- 35° ; +85°
Footrest adjustment (pneumatic)	- 90° ; +25°	----	- 90° ; +25°
Footrest abduction (mechanic)	180°	----	180°
Headrest adjustment (pneumatic)	± 45°	----	± 45°
Kidney bridge adjustment (mechanic) Optional kidney bridge adjustment (electro-hydraulic)*	~120 mm	----	~120 mm
Longitudinal slide (mechanic) Optional longitudinal slide (electro-hydraulic)*	350 mm / 400 mm*	350 mm	350 mm
Lateral slide (electro-hydraulic)*	----	210 mm	----
Table mass	250 kg	250 kg	270 kg
Maximum dynamic / static working load	250/300 kg, 450/540kg*	250 kg	450 / 540 kg
Built in battery power Built in charger power	24 V 230V ~ 50/60Hz	24 V 230V ~ 50/60Hz	24 V 230V ~ 50/60Hz
Working time between battery charging	Up to 65 operations	Up to 65 operations	Up to 65 operations
Lifetime	10 years	10 years	10 years
Degree, class of protection, application part type	IP-X4 / I / B	IP-X4 / I / B	IP-X4 / I / B
Technical parameters of operating tables INFIMED FENIX	OT-01		
Total length of the table with 4 and 5 sections tabletop	2100 mm		
Total length of the table with 6 sections tabletop	2300 mm		
Tabletop width	500 mm		
Total tabletop width (with side rails)	560 mm		
Height adjustment (hydraulic) with mattress 50 mm	700 – 1000 mm		
Lateral tilts adjustment (hydraulic)	± 30°		
Trendelenburg / reverse-Trendelenburg adjustment (hydraulic)	± 30°		
Backrest adjustment (pneumatic)	- 45° ; +85°		
Footrest adjustment (pneumatic)	- 90° ; +25°		
Footrest abduction (mechanic)	max 180°		
Headrest adjustment (pneumatic)	± 45°		
Kidney bridge adjustment (mechanic), available in 5 or 6 section tabletop	~120 mm		
Optional longitudinal slide (mechanic)	350 mm		
Table mass	240 kg		
Maximum dynamic / static working load	200 /240 kg		

* additional options

** width including side extension for bariatric tabletop ES-20



**European
Funds**
Smart Growth



Polska

European Union
European Regional
Development Fund



For special requirement of the customer it is possible to produce the product with changed technical parameters which do not diminish its safety.

The details given in this catalogue are correct at the time of going to press. Infimed Sp. z o.o., however, reserves the right to improve shown equipment.

adres INFIMED Sp. z o.o.
ul. Kabaty 1,
34-300 Żywiec,
Polska
tel/fax +48 33 861 40 96
email office@infimed.pl
www www.infimed.pl

NIP 553-251-29-67
REGON 243274947
KRS 0000463933

Sąd Rejonowy w Bielsku-Białej, VIII Wydział
Gospodarczy Krajowego Rejestru Sądowego.
Wysokość Kapitału Zakładowego: 500 000 PLN

bank Bank Spółdzielczy
w Węgierskiej Górcie
SWIFT POLUPLPR

78 8131 0005 0016 2492 2000 0010 PLN
PL02 8131 0005 0016 2492 2000 0020 EUR
PL23 8131 0005 0016 2492 2000 0030 USD



TÜV Rheinland
POLSKA
EN ISO 13485:2012
EN ISO 9001:2008



www.infimed.pl



Accesories for Operating Tables

FENIX OT-01

VIVAX OT-02

ACCESORIES FOR OPERATING TABLES

This catalogue presents the wide range of accessories available for INFIMED operating table.

They were created basing on long experience in designing of medical equipment, hours spent on consultation with medical staff and functional and ergonomy testing.

The accessories haven been sorted according to practical use and surgical disciplines.

Table of contents:

GENERAL BASIC ACCESORIES	3
GYNAECOLOGY UROLOGY PROCTOLOGY ACCESORIES	12
NEUROSURGERY LARYNGOLOGY OPHTHALMOLOGY ACCESORIES	14
ORTHOPAEDICS TRAUMATOLOGY ACCESORIES	17
ANGIOGRAPHY ACCESORIES	22
POSITIONING PADS	24

General surgery positions



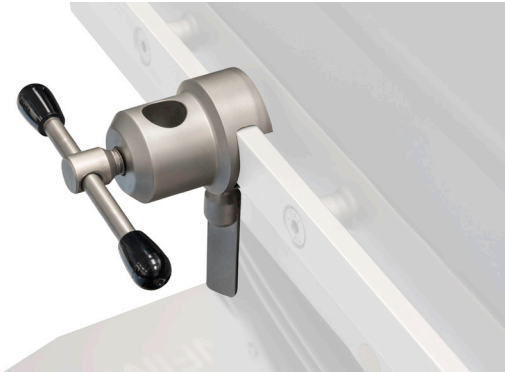
SUPINE POSITION



BEACH CHAIR POSITION



LATERAL POSITION AND FLEX

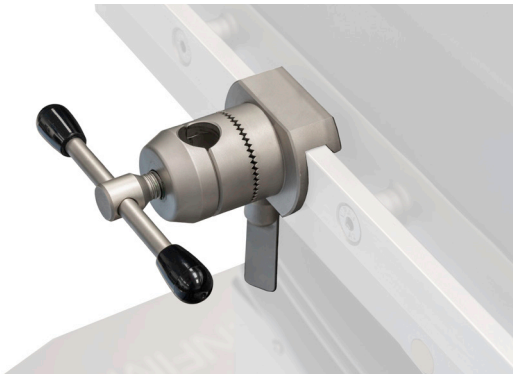


EB-01 One position clamp

TECHNICAL INFORMATION:

For fixation of the various accesories with rods of 16 mm diameter to the side rail

Made of stainless steel, with a matt finish



EB-02 Multi position clamp

TECHNICAL INFORMATION:

For fixation of the various accesories with rods of 16 mm diameter to the side rail

Allows radial adjustment of the accesories

Made of stainless steel, with a matt finish



EB-04 Angle arm support

TECHNICAL INFORMATION:

Height adjustment: 300mm

Distance from table top adjustment: 200mm

Tilting adjustment by ball joint

Made of stainless steel with matt finish and polyurethane foam, with two fixing velcro straps

To be fixed with EB-02 clamp



EB-05 Arm support

TECHNICAL INFORMATION:

Height adjustment: 100mm

Made of stainless steel with matt finish and polyurethane foam, with two fixing velcro straps

To be fixed with EB-01 clamp



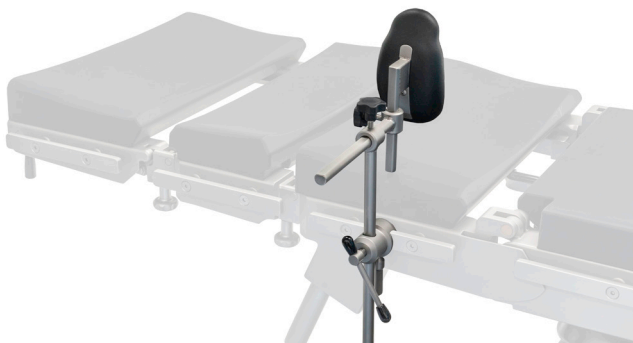
EB-06 Thigh holder

TECHNICAL INFORMATION:

Height adjustment: 300mm

Made of stainless steel with matt finish and polyurethane foam

To be fixed with EB-01 clamp



EB-07 Side-shoulder support (side support position)

TECHNICAL INFORMATION:

Height adjustment: 230mm

Distance from table top adjustment: 150mm

Made of stainless steel with matt finish and polyurethane foam

To be fixed with EB-01 clamp



EB-07 Side-shoulder support (shoulder support position)

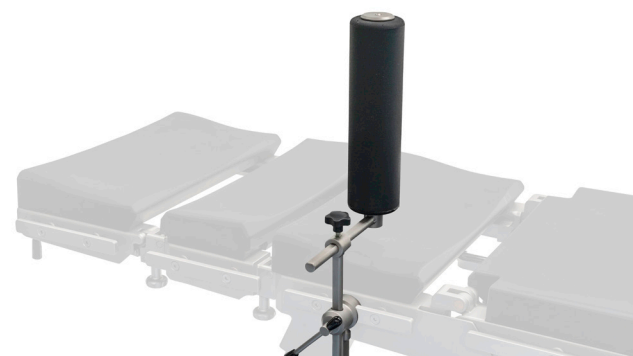
TECHNICAL INFORMATION:

Height adjustment: 230mm

Distance from table top adjustment: 150mm

Made of stainless steel with matt finish and polyurethane foam

To be fixed with EB-01 clamp



EB-08 Side support

TECHNICAL INFORMATION:

Height adjustment: 150mm

Distance from table top adjustment: 150mm

Made of stainless steel with matt finish and polyurethane foam

To be fixed with EB-01 clamp

**EB-09 Anesthetic frame**

TECHNICAL INFORMATION:

Height adjustment: 600mm

Made of stainless steel with matt finish

To be fixed with EB-01 clamp

**EB-10 Anesthetic frame with adjustable width**

TECHNICAL INFORMATION:

Height adjustment: 500mm

Both side width adjustment 200mm
Made of stainless steel with matt finish

To be fixed with EB-01 clamp

**EB-11 Infusion holder**

TECHNICAL INFORMATION:

Height adjustment: 200mm

Made of stainless steel with matt finish

To be fixed with EB-01 clamp

**EB-12 Hand (shank holder)**

TECHNICAL INFORMATION:

Height adjustment: 300mm

Made of stainless steel with matt finish and polyurethane foam

To be fixed with EB-01 clamp

General Basic Accesories

EB-13 Support for meniscus operation

TECHNICAL INFORMATION:

Height adjustment: 600mm

Made of stainless steel with matt finish and polyurethane foam

To be fixed with EB-02 clamp



EB-14 Arm support, with horizontal movement

TECHNICAL INFORMATION:

Height adjustment: 300mm

Distance from tabletop adjustment: 200mm

Tilting adjustment by ball joint

Made of stainless steel with matt finish, HPL, foam mattress covered with antistatic artificial leather, fixing velcro straps
To be used with EB-01 clamp



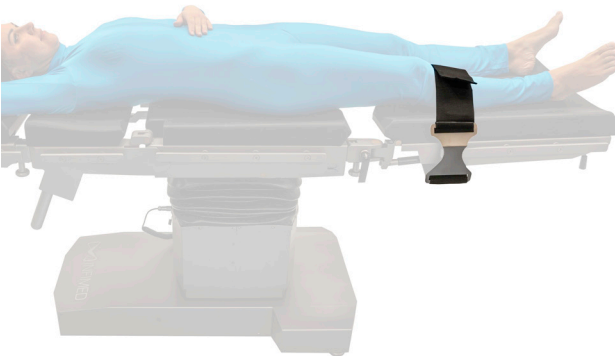
ES-01 Leg strap ES-02 Thigh strap

TECHNICAL INFORMATION:

Adjustment by velcro: 400mm

Strap width: 100mm

Made of stainless steel with matt finish and polyamide strap



ES-03 Abdominal strap

TECHNICAL INFORMATION:

Adjustment by velcro: 400mm

Strap width: 100mm

Made of stainless steel with matt finish and polyamide strap





ES-04 Hand strap

TECHNICAL INFORMATION:

Adjustment by velcro: 400mm

Strap width: 100mm

Made of stainless steel with matt finish and polyamide strap



ES-07 Holder for additional equipment, mobile

TECHNICAL INFORMATION:

Non-marking wheels with brakes

Hooks and rails for assembly of accessories on rack

Basket in basis

Made of stainless steel with matt finish



ES-08 Holder for arm operations

TECHNICAL INFORMATION:

Fixed to side rails of operating table

Vertical adjustment of angle against tabletop
Distance from tabletop adjustment: 100mm

Height adjustable feet

X-Ray permeable tabletop, dimensions 800x400mm

Made of stainless steel with matt finish, foam mattress covered with antistatic artificial leather



ES-09 Holder for tubes

TECHNICAL INFORMATION:

Height adjustment: 200mm

Distance from tabletop adjustment: 200mm

Made of stainless steel with matt finish and HPL

To be fixed with EB-01 clamp

General Basic Accesories



ES-10 Tray for additional accessories

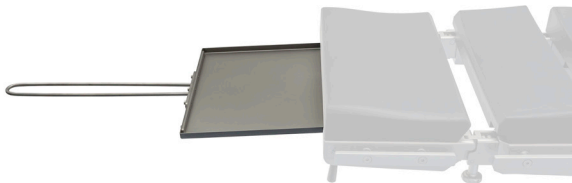
TECHNICAL INFORMATION:

Height adjustment: 400mm

Tray dimensions: 450x250mm

Made of stainless steel with matt finish

To be used with EB-01 clamp



ES-11 X-ray tray

TECHNICAL INFORMATION:

Height adjustment: 400mm

To be used with X-Ray cassette of width 381mm

Installation from head or side

Made of stainless steel with matt finish



ES-12 Chest support

TECHNICAL INFORMATION:

Height adjustment: 150mm

Distance from tabletop adjustment: 150mm

Made of stainless steel with matt finish and polyurethane foam

To be fixed with EB-01 clamp



ES-13 Attachement for knee operation

TECHNICAL INFORMATION:

Height adjustment: 200 mm

Knee holder adjustment

Made of stainless steel with matt finish and polyurethane foam

To be fixed with EB-01 clamp



ES-14 Pubic support

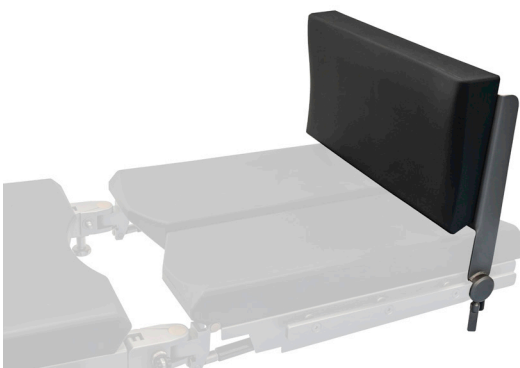
TECHNICAL INFORMATION:

Height adjustment: 150 mm

Distance from tabletop adjustment: 150 mm

Made of stainless steel with matt finish and polyurethane foam

To be fixed with EB-01 clamp



ES-15 Leg support, not-divided

TECHNICAL INFORMATION:

To be fixed to siderails

Made of stainless steel with matt finish and foam mattress covered with antistatic artificial leather

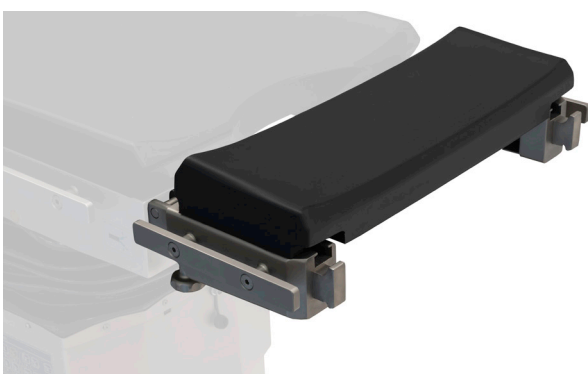


ES-17 Side rail extension

TECHNICAL INFORMATION:

Extension for side rail for mounting side rail accessories

Made of stainless steel with matt finish



ES-18 Tabletop extension

TECHNICAL INFORMATION:

To be fixed to siderails

Made of stainless steel with matt finish, HPL and polyurethane foam

General Basic Accesories

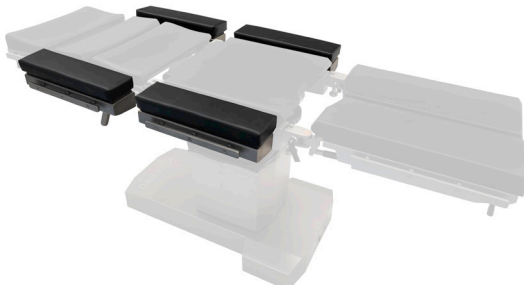


ES-19 Strap for anesthetic frame

TECHNICAL INFORMATION:

To be fixed to anesthetic frame EB-09 or EB-10

Made of polymide strap

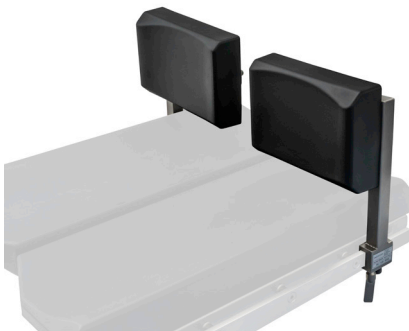


ES-20 Side extension for bariatric table-top

TECHNICAL INFORMATION:

To be fixed to siderails

Made of stainless steel with matt finish, HPL and polyurethane foam with artificial leather



ES-21 Leg support, divided

TECHNICAL INFORMATION:

To be fixed to siderails

Made of stainless steel with matt finish and polyurethane foam



GYNEACOLOGICAL SURGERY



PROCTOLOGICAL (KNEEL) SURGERY

Gynaecology Urology Proctology Accesories



EB-03 Knee support

TECHNICAL INFORMATION:

Height adjustment: 100mm

Made of stainless steel with matt finish and polyurethane foam

To be fixed with EB-02 clamp



ES-05 Gyneacological bowl

TECHNICAL INFORMATION:

Fixed instead of the leg supports

Adjustable horizontal position and rotation

Bowl capacity: 4 litres

Made of stainless steel with matt finish



ES-06 Urological bowl

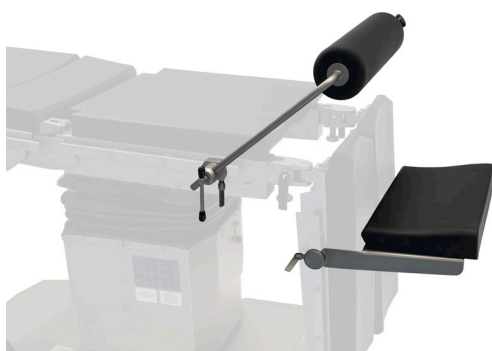
TECHNICAL INFORMATION:

Fixed instead of the leg supports

Adjustable horizontal position and rotation

Bowl capacity:4 litres, with rubber outflow

Made of stainless steel with matt finish



ES-16 Proctological attachment

TECHNICAL INFORMATION:

Height adjustment: 200mm

Kneeling chair, without clamp, fixed to side rails

Abdominal support to be used with 2 pcs of EB-02 clamps

Made of stainless steel with matt finish, HPL and polyurethane foam



NEUROSURGICAL SURGERY - SUPINE POSITION (WITH DORO NEUROSURGICAL ATTACHEMENT)



NEUROSURGICAL SURGERY - SITTING POSITION (WITH DORO NEUROSURGICAL ATTACHEMENT)

Neurosurgery Laryngology Ophthalmology Accesories



EA-01 Adapter for specialistic head rest

TECHNICAL INFORMATION:

Neccesary to fix to the operating table to use DORO neurosurgical attachement or any of specialistic head rest

Made of stainless steel with matt finish



EN-01 Specialistic head rest with adjustable track

TECHNICAL INFORMATION:

Fixed to the adapter EA-01

Height adjustment 150mm, angle adjustment to the table top

Adjustment of the distance from the tabletop: 250mm

Made of stainless steel with matt finish and polyurethane foam



EN-02 Specialistic head rest, horseshoe

TECHNICAL INFORMATION:

Fixed to the adapter EA-01

Height adjustment 150mm, angle adjustment to the table top

Adjustment of the distance from the tabletop: 250mm

Made of stainless steel with matt finish and polyurethane foam



EN-05 Arm support

TECHNICAL INFORMATION:

Height adjustment: 300mm

Distance from tabletop adjustment: 200mm

Tilting adjustment by ball joint

Made of stainless steel with matt finish, HPL, foam mattress covered with antistatic artificial leather, fixing velcro straps
To be used with EB-01 clamp



DORO neurosurgical attachment for laying position

TECHNICAL INFORMATION:

To be fixed to adapter EA-01

Including:

- Adjustable Base Unit 3001-00
- Swivel Adaptor 3002-00
- QR3 Skull Clamp 1001.001
- Reusable Skull Pins Pediatric 3004-00 (3 pcs)
- Reusable Skull Pins Adult 3005-00 (3 pcs)



DORO neurosurgical attachment for sitting position

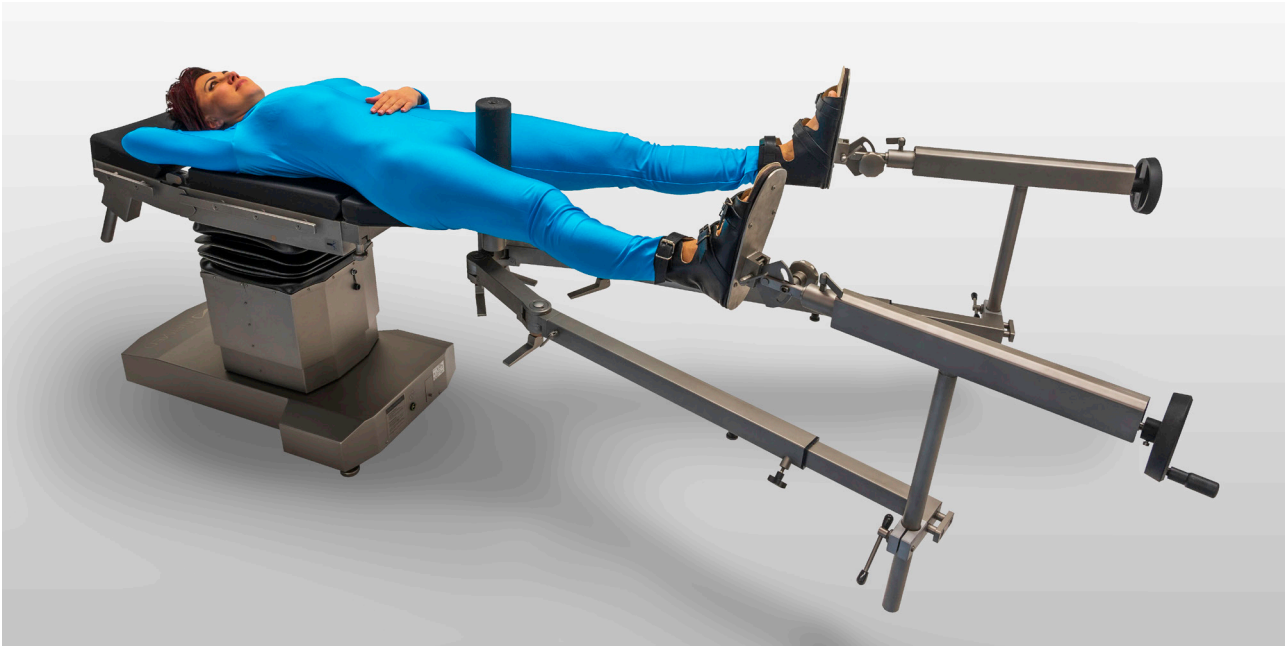
TECHNICAL INFORMATION:

To be fixed to side rails using EB-02 multiposition clamps

Including:

- Adjustable Base Unit 3001-00
- Swivel Adaptor 3002-00
- QR3 Skull Clamp 1001.001
- Reusable Skull Pins Pediatric 3004-00 (3 pcs)
- Reusable Skull Pins Adult 3005-00 (3 pcs)
- Crossbar Adaptor

Orthopaedics Traumatology Positions



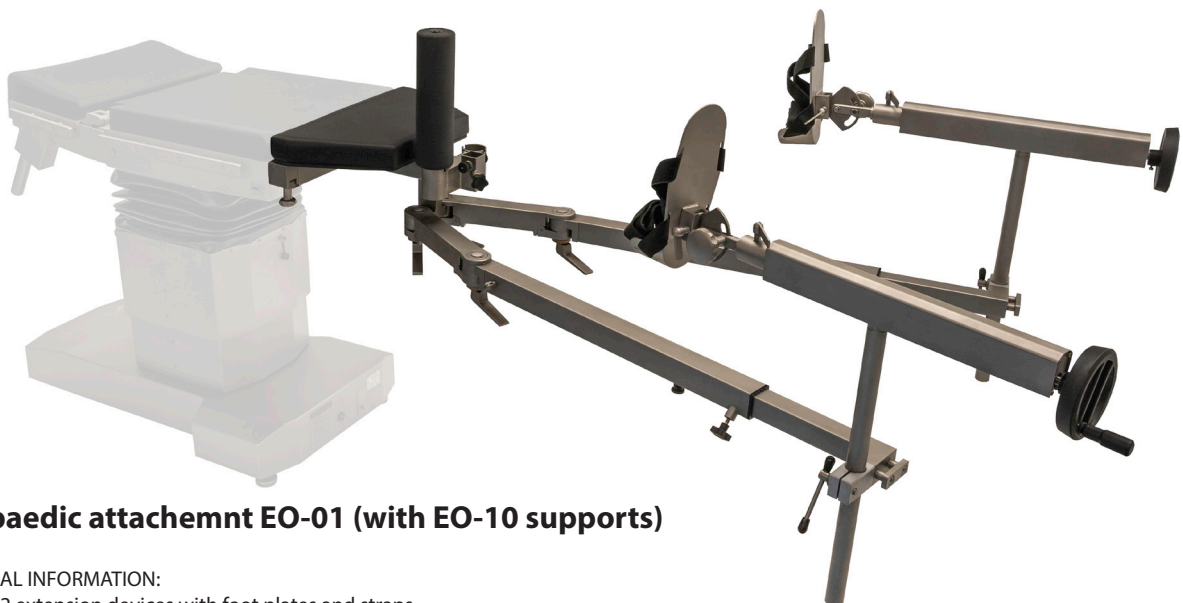
ORTHOPAEDIC SURGERY - SUPINE POSITION (ORTHOPAEDIC ATTACHEMENT EO-01)



**ORTHOPAEDIC SURGERY - SUPINE POSITION
(ORTHOPAEDIC ATTACHEMENT EO-01 WITH SUPPORTS EO-10 AND BAR SUPPORT EO-02)**



**ORTHOPAEDIC SURGERY - LATERAL DECUBITUS POSITION
(ORTHOPAEDIC ATTACHEMNT EO-01 WITH SUPPORTS EO-10 AND HIP SUPPORT EO-09)**



Ortopaedic attachemnt EO-01 (with EO-10 supports)

TECHNICAL INFORMATION:

- Includes 2 extension devices with foot plates and straps
- Additional accessories (EO-02...EO-11) are to be ordered seperately
- Fixed to leg rests sockets
- Adjustment of extensions devices height: 350mm
- Distance between support roll and extensions devices: 300-1300mm
- Adjustment of rotation arms position: 0-180
- Adjstment of length of ortropaedic attachemnts arms: 600mm
- Support roll X-Ray permeable
- Made of stainless steel with matt finish, foam mattress covered with artificial leather, polyurethane

Orthopaedics Traumatology Accessories



EO-02 Bar support

TECHNICAL INFORMATION:

To be fixed to the arms of the orthopaedic attachment EO-01 with EO-07 clamp

Height adjustment 400mm

Made of stainless steel with matt finish and leather strap



EO-03 Leg support

TECHNICAL INFORMATION:

To be fixed to the arms of the orthopaedic attachment EO-01 with EO-07 clamp

Height adjustment 400mm

Made of stainless steel with matt finish and leather strap / polyurethane foam

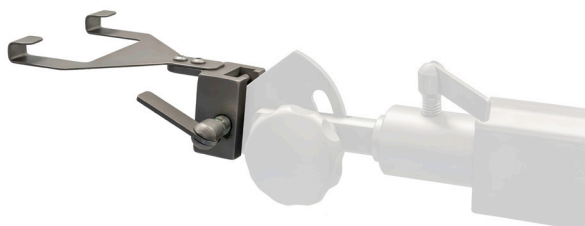


EO-04 Support for plastering

TECHNICAL INFORMATION:

To be fixed to the socket of the orthopaedic attachment EO-01

Made of stainless steel with matt finish and leather strap / polyurethane foam



EO-05 Heel holder

TECHNICAL INFORMATION:

To be fixed to orthopaedic attachment EO-01 instead of plate supports

Made of stainless steel with matt finish



EO-06 foot support

TECHNICAL INFORMATION:

To be fixed to the orthopaedic attachment EO-01 instead of plate supports

Made of stainless steel with matt finish and leather straps



EO-07 Clamp for orthopaedic attachment supports

TECHNICAL INFORMATION:

Used to fix the following accessories: EO-02, EO-03, EO-08, EO-11, to the orthopaedic attachment EO-01

Made of stainless steel with matt finish



EO-08 Knee operation attachment for orthopaedic attachment

TECHNICAL INFORMATION:

Without extension device

To be fixed to the arms of the orthopaedic attachment EO-01 with EO-07 clamp Height adjustment: 200mm

Adjustment of distance between support roll and extension device: 800mm

Angle adjustment against tabletop

Made of stainless steel with matt finish and polyurethane foam



EO-09 Hip support for lateral decubitus position

TECHNICAL INFORMATION:

To be fixed to the socket of the orthopaedic attachment EO-01

Adjustment left/right

Adjustment of support roll rotation

Made of stainless steel with matt finish and polyurethane foam

Orthopaedics Traumatology Accessories



EO-10 Support for orthopedic attachment arms

TECHNICAL INFORMATION:

To be fixed to the arms of the orthopedic attachment EO-01

Height adjustment: 400 mm

Made of stainless steel with matt finish



EO-11 Knee support for side positions

TECHNICAL INFORMATION:

To be fixed to the arms of the orthopedic attachment EO-01 with EO-07 clamp

Made of stainless steel with matt finish and polyurethane foam



EO-12 Trolley for installation of orthopedic attachment

TECHNICAL INFORMATION:

Used to transport and assembly the orthopedic attachment EO-01 to the operating table

Non-marking castors with individual brakes

Basket for accessories in the base

Made of stainless steel with matt finish



EO-13 Mobile stand for additional equipment of orthopedic attachment

TECHNICAL INFORMATION:

Non-marking castors with individual brakes

Hooks and rails for storage of orthopaedic accessories

Basket in the basi

Made of stainless steel with matt finish and HPL



EO-14 Leather shoes for orthopedic attachment

TECHNICAL INFORMATION:

To be fixed to the orthopedic attachment EO-01 instead of plate supports

Made of stainless steel with matt finish and leather



EO-20 Attachment for hand operating

TECHNICAL INFORMATION:

To be fixed with 2 pcs of clamp EB-01

Height adjustment: 200mm

Adjustment of extension device length: 350mm

Adjustment of tilt and rotation of hand fixing

Made of stainless steel with matt finish and polyurethane foam



EO-30 Attachement for shoulder operations head rest EN-02

TECHNICAL INFORMATION:

To be fixed to legrests sockets

Includes EN-02 head rest

Removable right and left shoulder sections

Made of stainless steel with matt finish, polyurethane foam and HPL

Angiography table



VIEW FROM THE SIDE, WITH MAX LONGITUDINAL SLIDE



VIEW FROM THE BACKSIDE, WITH MAX LATERAL SLIDE



ER-01.0

TECHNICAL INFORMATION:

To be fixed on carbo fibre tabletop

Allows to fix heavier additional accesories on the side rails

Made of stainless steel with matt finish.



ER-01.1

TECHNICAL INFORMATION:

To be fixed on carbo fibre tabletop

Allows to fix lighter additional accesories on the side rails

Made of stainless steel with matt finish.



ER-02.0

TECHNICAL INFORMATION:

To be fixed on carbo fibre tabletop

Allows to fix heavier additional accesories on the side rails

X-ray permeable

Made of carbon fibre and stainless steel with matt finish.



ER-02.1

TECHNICAL INFORMATION:

To be fixed on carbo fibre tabletop

llows to fix lighter additional accesories on the side rails

X-ray permeable

Made of carbon fibre and stainless steel with matt finish.

Positioning pads

EM-01 Mattress for spine surgeries

TECHNICAL INFORMATION:

For positioning the patient, especially during surgical procedures on the spine

Made of polyurethane foam with artificial letter



EM-02 Mattress for sitting position

TECHNICAL INFORMATION:

For positioning the patient, especially during procedures requiring sitting position

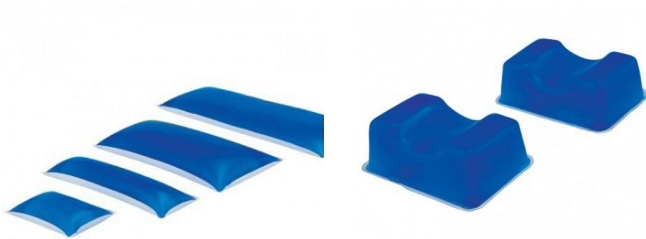
Made of polyurethane foam with artificial letter



Gel patient body positioners

TECHNICAL INFORMATION:

Thick layered gel patient body positioners for patient on operation table: arm, chest, heel, head positioners and table pads





**European
Funds**
Smart Growth



Polska

European Union
European Regional
Development Fund



For special requirement of the customer it is possible to produce the product with changed technical parameters which do not diminish its safety.

The details given in this catalogue are correct at the time of going to press. Infimed Sp. z o.o., however, reserves the right to improve shown equipment.

adres INFIMED Sp. z o.o.
ul. Kabaty 1,
34-300 Żywiec,
Polska
tel/fax +48 33 861 40 96
email office@infimed.pl
www www.infimed.pl

NIP 553-251-29-67
REGON 243274947
KRS 0000463933

Sąd Rejonowy w Bielsku-Białej, VIII Wydział
Gospodarczy Krajowego Rejestru Sądowego.
Wysokość Kapitału Zakładowego: 500 000 PLN

bank Bank Spółdzielczy
w Węgierskiej Górcie
SWIFT POLUPLPR

78 8131 0005 0016 2492 2000 0010 PLN
PL02 8131 0005 0016 2492 2000 0020 EUR
PL23 8131 0005 0016 2492 2000 0030 USD



www.infimed.pl

Certificate

Quality Management System EN ISO 13485:2016

Registration No.: SX 1436359-1

Organization: INFIMED Sp. z o.o.
ul. Kabaty 1
34-300 Żywiec
Poland

Scope: Design and development, production, distribution, installation and servicing of surgical and treatment luminaires, luminaires for diagnosis, devices for patient positioning and transport with related equipment, medical furniture, modular room systems for operating theatre as well as software working in combination with related infrastructure for managing and integration of equipment and medical devices in operating room.

The Certification Body of TÜV Rheinland LGA Products GmbH certifies that the organization has established and applies a quality management system for medical devices. Proof has been furnished that the requirements specified in the abovementioned standard are fulfilled. The quality management system is subject to yearly surveillance.

Report No.: 84956996-20
Effective date: 2022-02-18
Expiry date: 2025-01-30
Issue date: 2022-02-18



Jarosław Pyclik
TÜV Rheinland LGA Products GmbH
Tillystraße 2 · 90431 Nürnberg · Germany

Declaration of conformityCompany: **INFIMED Spółka z ograniczoną odpowiedzialnością**

34-300 Żywiec, ul. Kabaty 1, Polska,

Tel/fax +48 33 861 40 96

e-mail: office@infimed.pl

SRN: PL-MF-000015633

We hereby declare for our own responsibility, that

Medical device: Operating table

Name: VIVAX

Type: OT-02

Class: I, according to rule 13 in conformity with annex VIII of the EU Regulation 2017/745

Serial number:

covered by Technical file no 1.1, date 08.2021r.

Inspection documentation of device: Report of final inspection no 17.3.1.02

fulfills all the requirements of Regulation (EU) 2017/745 of the European Parliament and the Council that applies to this device.

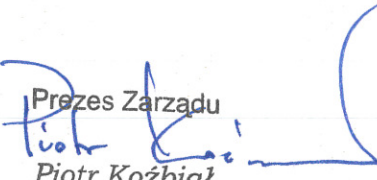
List of all harmonized standards is indicated in Technical File.

Procedure of conformity assessment:

Annex VIII Of the EU Regulation 2017/745



INFIMED Sp. z o.o.
34-300 Żywiec, ul. Kabaty 1
tel./fax 33 861 40 96
NIP: 5532512967 REGON: 243274947
(4)

Prezes Zarządu

Piotr Koźbiał

Place and date: Żywiec

Name and surname:

Basic UDI-DI-PI Code



adres INFIMED Sp. z o.o.
ul. Kabaty 1,
34-300 Żywiec, Polska

tel/fax +48 33 861 40 96
email office@infimed.pl
www www.infimed.pl

NIP 553-251-29-67
REGON 243274947
KRS 0000463933

Sąd Rejonowy w Bielsku-Białej, VIII Wydział
Gospodarczy Krajowego Rejestru Sądowego.
Wysokość Kapitału Zakładowego: 500 000 PLN

bank Bank Spółdzielczy
w Węgierskiej Górze
SWIFT POLUPLPR

78 8131 0005 0016 2492 2000 0010 PLN
PL02 8131 0005 0016 2492 2000 0020 EUR
PL23 8131 0005 0016 2492 2000 0030 USD

Certyfikat

Standard odniesienia **ISO 9001:2015**

Numer rejestracyjny 0198 100 13761

Posiadacz certyfikatu: **INFIMED Sp. z o.o.**
Kabaty 1
34-300 Żywiec
Polska

Zakres certyfikacji: Projektowanie i rozwój, produkcja, dystrybucja, instalowanie i serwisowanie opraw chirurgicznych i zabiegowych oraz opraw do diagnostyki, urządzeń do pozycjonowania i transportu pacjenta wraz z wyposażeniem, mebli medycznych, wyrobów wykonanych z metalu, modułowych systemów zabudowy sal operacyjnych, systemów sterowania wyposażeniem sal operacyjnych.

Na podstawie audytu potwierdza się spełnienie wymagań normy ISO 9001:2015.

Okres ważności: Certyfikat jest ważny od 20.10.2022 do 19.10.2025.

11.10.2022

Grzegorz Guabka

TÜV Rheinland Polska Sp. z o.o.
ul. Wolności 347, 41-800 Zabrze

Certificate

Standard **ISO 9001:2015**

Certificate Registr. No. 0198 100 13761

Certificate Holder: **INFIMED Sp. z o.o.**
Kabaty 1
34-300 Żywiec
Poland

Scope: Design and development, production, distribution, installation and servicing of surgical and treatment luminaires, luminaires for diagnosis, devices for patient positioning and transport with related equipment, medical furniture and metal products, modular rooms systems for operating theatre, control systems of operating theatre equipment

Proof has been furnished by means of an audit that the requirements of ISO 9001:2015 are met.

Validity: The certificate is valid from 2022-10-20 until 2025-10-19.

2022-10-11

Grzegorz Guabka

TÜV Rheinland Polska Sp. z o.o.
ul. Wolności 347, 41-800 Zabrze

Zertifikat

Prüfungsnorm **ISO 9001:2015**

Zertifikat-Registrier-Nr. 0198 100 13761

Unternehmen: **INFIMED Sp. z o.o.**
Kabaty 1
34-300 Żywiec
Polen

Geltungsbereich: Projektierung und Entwicklung, Herstellung, Vertrieb, Installierung und Service von Operations- und Behandlungsleuchten sowie Diagnostikleuchten, Geräten zur Patientenpositionierung und Patiententransport mit zugehöriger Ausrüstung, medizinischen Möbeln und Produkten aus Metall, modularen Raumsystemen für den Aufbau von Operationssälen, Steuerungssystemen für die Ausrüstung von Operationsräumen

Durch ein Audit wurde der Nachweis erbracht, dass die Forderungen der ISO 9001:2015 erfüllt sind.

Gültigkeit: Dieses Zertifikat ist gültig vom 20.10.2022 bis 19.10.2025.

11.10.2022

Grzegorz Guabka

TÜV Rheinland Polska Sp. z o.o.
ul. Wolności 347, 41-800 Zabrze