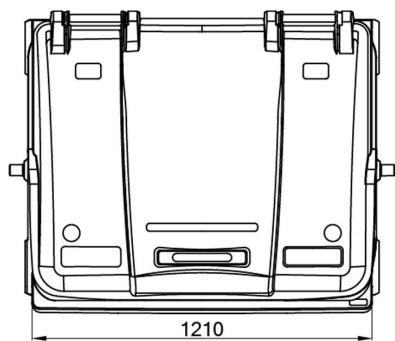
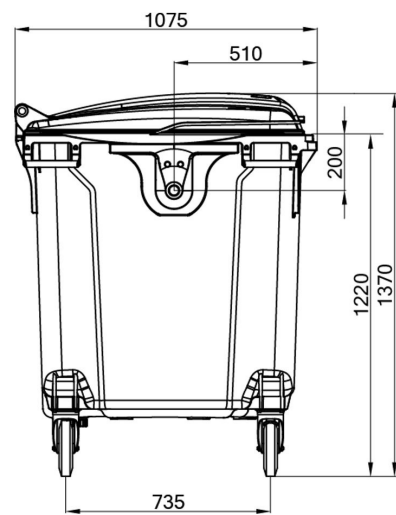
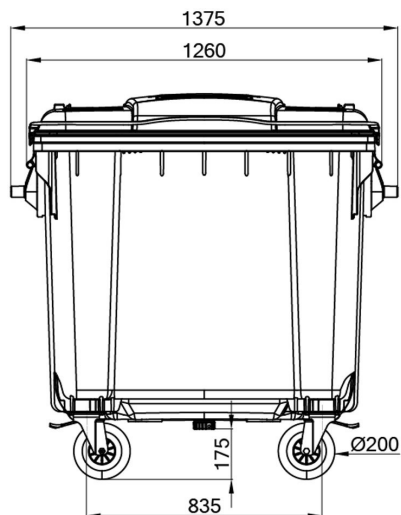


**MGB 1100 SL FLAT LID DIN VERSION  
WITH TRUNNIONS**



**TECHNICAL DATA**

Volume (L):	1,100.00
Curb weight approx. (kg):	50.00
Permissible total weight max. (kg):	510.00
Material:	HDPE, UV-stabilized
Wheels:	4 rubber wheels Ø 200 mm 2 with wheel stop
Trunnions:	with steel reinforcement tubes
Lid / Container:	4 hinge pins, lid with lip handle 4 side handles; Ø 25 mm (replaceable)
Certification:	EN 840, RAL GZ 951/1

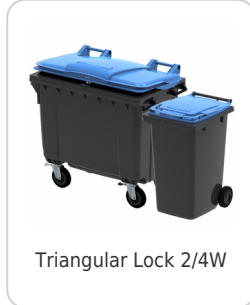
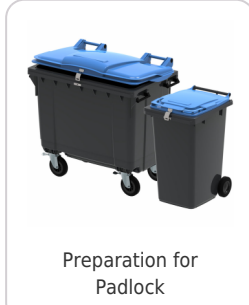
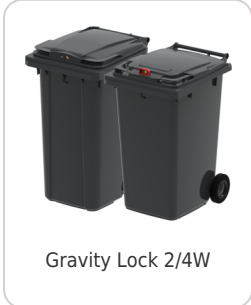
**OPTIONS**

- Locking versions
- Lid apertures
- Hood apertures
- Lid variants
- Markings / Identification
- Alternative swivel castors
- Braking systems
- Noise reduction
- Lifting systems
- Special features / Accessories

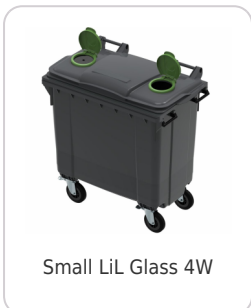
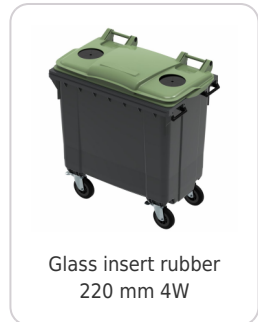
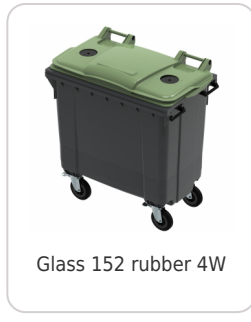
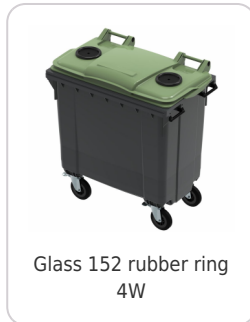
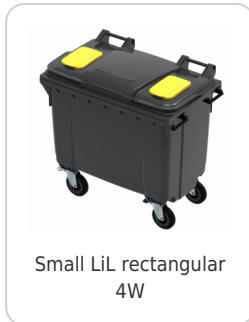
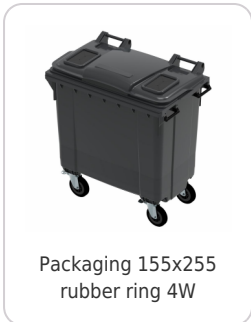
The products do not contain any substances on the SVHC list of the European Chemicals Agency (ECHA).

## Options

### Locking versions



### Lid apertures



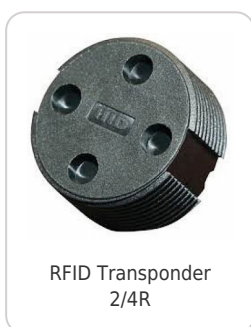
### Hood apertures



### Lid variants



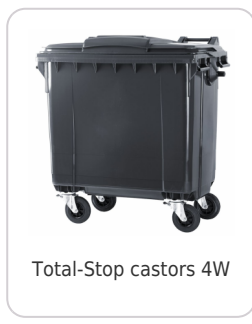
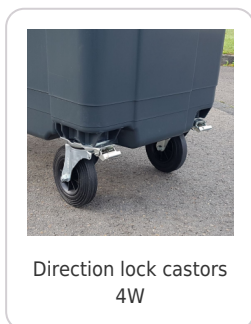
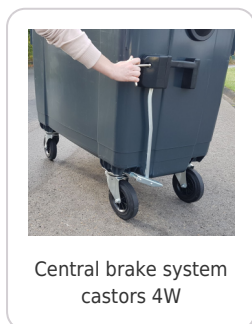
### Markings / Identification



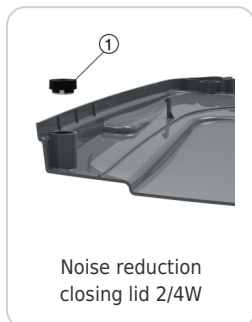
### Alternative swivel castors



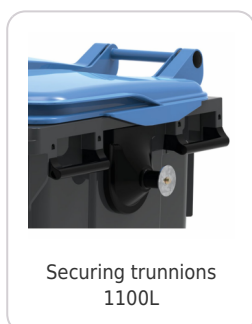
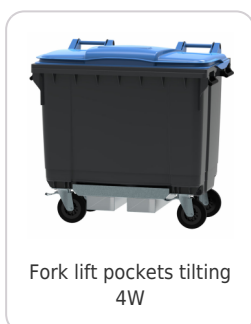
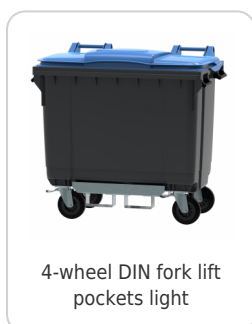
### Braking systems



### Noise reduction



### Lifting systems



### Special features / Accessories

