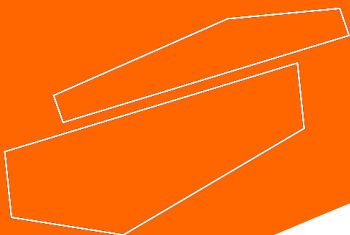




Please read the User Manual carefully before use, and follow all operating and safety instructions!



user manual

english, español, français, italiano

User Manual



LBX OVF Force Air Drying Oven

Preface

Users should read this Manual carefully, follow the instructions and procedures, and beware of all the cautions when using this instrument.

Service

If help is needed, you can always contact your dealer or Labbox via www.labbox.com (declare an incidence)

Please, provide the customer service representative with the following information:











- Serial number (on the back side)
- Description of the problem
- Your contact information

Warranty

This instrument is guaranteed to be free from defects in materials and workmanship under normal use and service, for a period of 24 months from the date of invoice. The warranty is extended only to the original purchaser. It shall not apply to any product or parts which have been damaged on account of improper installation, improper connections, misuse, accident or abnormal conditions of operation.

For claim under the warranty, please contact your supplier.

1. Safety Instructions

	Connect the device to an earthed power supply to ensure the safety of the machine and the experiment; connect the power as the machine requires it.
	The use of this instrument in inflammable, explosive, poisonous, or highly corrosive experiments is forbidden.
	Place the air drying oven on a horizontal, flat, stable table leaving 30 free cm on each side.
	This item must only be used by previously qualified staff that has read the instructions manual and knows how to operate it.
	Do not place the device near any heat source.
	During its functioning, dangerous materials such as flammable or pathological substances must be out of the device's safety area.
	An overfilling of the oven could cause some working parts to overheat, which could start a fire.
	While the machine is working, do not touch the device's surface; as well as the observation window in order to avoid burns.
	Non-professionals are not allowed to disassemble and repair this machine.
	Read the instructions manual before using this device.

- When working, wear the necessary personal protective equipment to avoid the risk of:
 - Burns caused by contact with hot surfaces or materials
 - Burns caused by splashing and evaporation of liquids
 - Intoxication caused by release of toxic or flammable gases
- Set up the instrument on a spacious, stable, clean, non-slippery, dry, and fireproof surface that can support the equipment's weight. Do not operate the instrument in explosive atmospheres or with hazardous substances.

- Beware of hazards due to:
 - Flammable materials or media with a low boiling temperature.
 - Oven overfilling
- The device and accessories shall be checked before handling prior to each use. Do not use damaged components.
- Pay attention to the setting temperature when dealing with inflammable matters.
- The instrument can only be disconnected from the main power supply by pulling the plug, not the wire.
- The voltage must correspond to the main power supply.
- Ensure that the main wire does not contact the surface. Do not cover the device.
- Keep away from high magnetic fields.

2. Instructions for use

The instrument has been designed for heating in schools, laboratories, industries and for research purposes. It is not suitable for domestic use or for use in environments that can be hazardous for either the user or the instrument.

3. Inspection

3.1 Unpacking

Unpack the equipment carefully and check for any damages that may have arisen during transportation. If necessary, contact your supplier for technical support.



Note:

If there is any apparent damage on the equipment, please do not plug it into the power line.

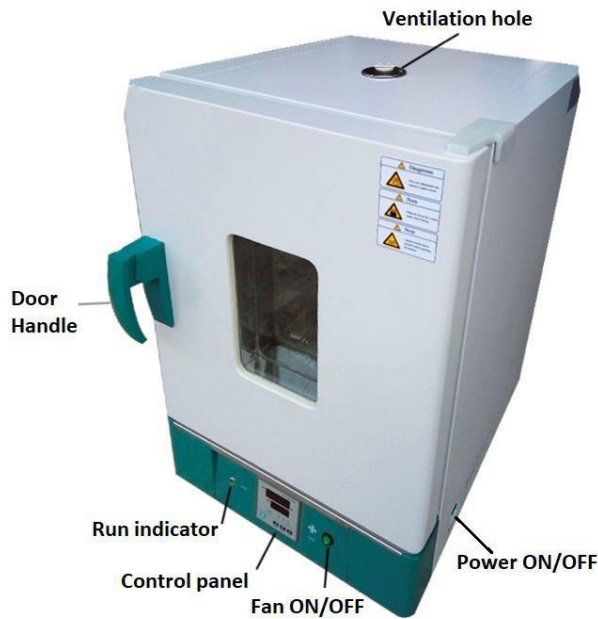
3.2 Items list

The package includes the following pieces:

Content	Quantity
Principal unit	1
Power cable	1
Tray	2
User manual	1

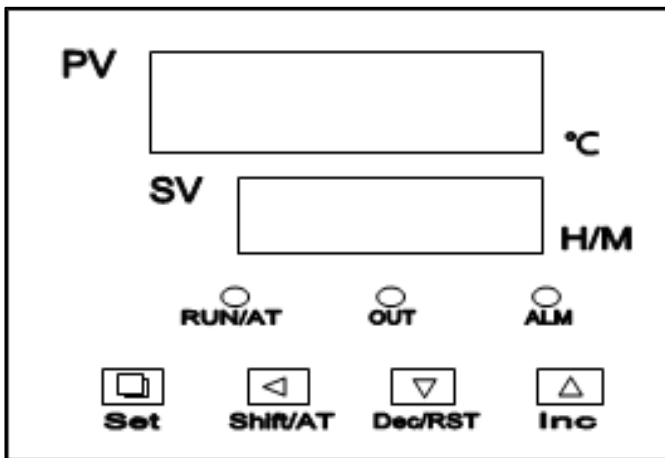
4. Control elements

4.1 LBX OVF Force Air Drying Oven



Note: The plug-in is in the back of the device.

4.2 Control panel



1. **PV screen:** current measurement value
2. **SV screen:** set parameter value
3. **RUN/AT:** work indicator
4. **OUT:** heat indicator
5. **ALM:** alarm indicator
6. **Set:** parameters confirmation
7. "◀" **Shift/AT:** shift to next digit
8. "▼" **Dec/RST:** decrease parameter value
9. "▲" **Inc:** increase parameter value

- The **PV screen** will display the real temperature of the working room while the **SV screen** displays the previously set temperature.
- **RUN/AT** indicator: This indicator lights when the controller is running, when the runtime is over, this indicator is not lighted.
- **OUT** indicator: This indicator lights if the heater is running; else, this indicator is not lighted.
- **ALM** indicator: When the over-temperature alarm occurs, this indicator lights.

5. Trial run

- Unwrap the equipment and, without connecting the equipment to the net, make sure that it does not present any damage. In case the equipment presents any damage, communicate it immediately your transport agent or dealer.
- Place the equipment on a flat, stable surface that can support the weight of the device leaving 30 free cm on each side.
- Make sure the required operating voltage and the power supply's voltage match.
- Make sure the socket is earthed.
- Switch the power button ON.
- The PV screen will display the real temperature of the working room. The SV screen will display the previously set temperature.
- Press the SET button and set a higher temperature (as shown in 6.1). If the temperature increases, the equipment is working properly.
- Switch the power button OFF to turn off the oven.

6. Operating

- Place the equipment on a flat, stable surface that can support the weight of the device leaving 30 free cm on each side.
- Place the sample in the container (advice: the size of the sample should not be over 2/3 of the shelf); then close the container door.
- Turn the power button ON and then turn the fan button ON.
- The PV screen will display the real temperature of the working room while the SV screen displays the previously set temperature.
- After usage, turn off the equipment by pressing the Power ON/OFF switch and unplug it.

6.1 Set the working temperature

The max working temperature is 300°C, set the temperature this way:

- Press the SET button. The controller will run into temperature setting state.
- In the temperature setting state, use the "▼" and "▲" buttons to select the desired temperature value. Use the "◀" button to go from one digit to the next. Press the SET button again twice, it will quit the setting state and the settings will be saved automatically.
- Temperature will start to rise until the working room reaches the desired temperature value.
- The PV screen will display the real temperature of the working room while the SV screen displays the previously set temperature.

Note: don't close the fan when the temperature is rising, or else it will accelerate the ageing of the heater.

6.2 Timer setting

By default, this feature will be OFF. Therefore, the equipment will keep working until it is manually switched OFF.

- Press the SET button. The controller will run into temperature setting state. Press the SET button again, the controller will run into time setting state.
- In the time setting state, use the "▼" and "▲" buttons to select the desired time value (1-9999 min). Use the "◀" button to go from one digit to the next. Press the SET button again, it will quit the setting state and the settings will be saved automatically.
- When the temperature reaches the value set at 6.1, the timer will start. When the run time is over, the SV window will display "End", the buzzer will make a sound for 30 seconds and the heating will be disconnected.
- In order to stop the buzzer sound, you can press any button from the controller.
- In order to switch OFF this feature, you can set the desired time value to 0000 min.

6.3 Temperature alarm

- The alarm is set by default at 5°C.
- This means that when the working temperature is 5°C higher than the desired temperature, the alarm will activate.
- When the temperature alarm activates, the buzzer sounds and "ALM" lights. To stop the sound, you can press any button.
- If a 5°C over-temperature is reached by changing manually the temperature value (6.1), "ALM" lights but the buzzer does not sound.

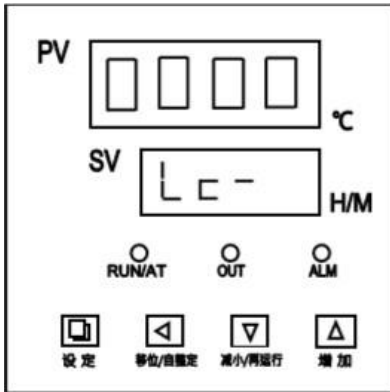
6.4 Other concerns

- In the setting state, the controller will return to run status if no key is pressed in one minute.
- If the display window shows "----", it indicates the fault of temperature.

6.5 Advanced settings

Internal parameters settings

- In order to change any of the internal parameters press the SET button for 3 seconds. The SV screen will display “Lc-”, which will require a password in the PV screen in order to change the internal parameters.



- Adjust the password at the PV screen to the required value (0003 to change values from Parameter list-1 or 0009 to change values from Parameter list-2, the lists are below).
- Once you change the password in the PV screen, press the SET button again, it will run into the internal parameter setting state.
- To switch between parameters in the list, press the SET button, it will go one by one through all the parameters in the table.
- If the SET button is pressed for another 3 seconds, it will return to the running state.

Parameter list-1:

Parameter indicator	Name	Instruction of the Parameter's function	(Setting range) default set value
Lc-	Password	When Lc=0003 ,then we can see and modify parameters	0000
AL-	Alarming setting	When temperature is beyond “Temp+AL”, the Alarm indicator turns on. The buzzer sounds and the heater output turns off.	(0~100°C) 5
T-	Control cycle	The heat control cycle of temperature	(1~60S)
P-	Proportional band	Adjustment of proportional parameter.	(1.0~rH) 30
I-	Integration time	Adjustment of integration parameter.	(1~1000S) 400
d-	Differential time	Adjustment of differential parameter.	(0~1000S) 200
Pb-	Zero point adjust	Adjustment of zero point parameter.	(-50~50°C) 0
PK-	Full point adjust	Adjustment of full point parameter.	(-999~999) 0
Et-	Timing function	When ET = 0, The timing function is removed When ET = 1, The timing function starts without the need of reaching the set temperature value When ET = 2, The timing function starts when the set temperature value is reached	(0~2) 2

Parameters Indicating	SP	St	Lc	AL	Γ	P	I	d
English Name	SP	St	Lc	AL	T	P	■	d
Parameters Indicating	Pb	PE	Co	Hn	oP	rH	En	Lt
English Name	Pb	Pk	Co	Hn	oP	rH	En	Lt

Parameter list-2:

Parameter indicator	Name	Instruction of the Parameter's function	(Setting range) default set value
Lc-	Password	When Lc=0009, then we can see and modify parameters	0
Co-	Turn off the heat output deviation	When "PV ≥ SP + Co", Turn off the heating output	(0.0 ~ 50.0°C) 5.0
Hn-	Constant temperature time mode	0 : minutes time ; 1 : hours time	(0 ~ 1) 0
En-	End of operation temperature	When EN = 0, when the run time is over, the SV window will display "End", the buzzer will make a sound for 30 seconds and the heater is disconnected When EN = 1, when the run time is over, the SV window does not show "End", the buzzer will make a sound for 30 seconds and the heater will continue at constant temperature	(0 ~ 1) 0
Lt-	Maximum power output	The heating output maximum power percentage	(0 ~ 100) 100
oP-	Gate-control function	0: shut-off function of opening door to judge, 1: unlock function of opening door to judge	(0 ~ 1) 1

7. Fault resolution

- The equipment cannot be turned ON
 - Make sure the cable is rightly connected.
- The temperature cannot reach the set point
 - Check if the temperature is set too low and readjust it.
 - Check for apparent damages that may have arisen during transportation.
 - The heater and/or the electric system may be damaged.

If these faults are not resolved, contact your manufacturer/supplier

8. Maintenance

- Proper maintenance can keep instruments working properly and lengthen its lifetime.
- Do not spray cleanser into the instrument when cleaning. Avoid cleaning it with chemical solutions to prevent reaction damage.
- Unplug the power line while cleaning.
- Wear the proper protective gloves during cleaning procedures.
- The device needs to be cleaned and decontaminated before sending to repair.
- Must be sent with the original packing.
- Make sure the device is used on a clean and dry surface and that the ambient temperature is steady.

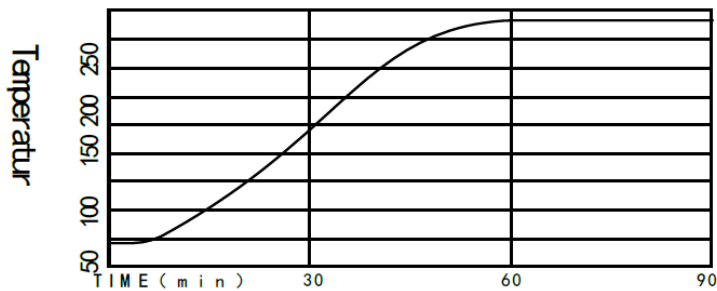
9. Transport and storage

- Keep the device on a dry and clean place with good airing and free of corrosive gases and flammable or corrosive atmospheres.
- Ensure that the device does not get wet or hit during transport.

10. Technical features

Model	DOVF-030-001	DOVF-045-001	DOVF-065-001	DOVF-125-001
voltage	AC220V 50-60Hz			
power(w)	800W	1200W	1600W	2300W
Tem. range	RT+10~300°C			
Tem. fluctuation	±1.0°C			
Inner Chamber size W*L*H(mm)	310×310×310	350*×350×350	400×360×460	500×450×550
Exterior size W*L*H (mm)	450x500x690	490x540x730	590x625x885	640x630x930
Shelf load	15kg			
Weight (kg)	39	42	47	56
Capacity (L)	30	45	65	125
Shelf Qty.	2			

Temperature profile



Note: The warm-up time is different according to each model type.

11. Working conditions

The drying oven works under the following conditions:

1. Ambient temperature ranges between 5~40°C
2. Relative humidity lower than 85% RH
3. Power: voltage 220v, frequency 50-60Hz
4. No succession and corrosive gas surrounding the oven.

Manual de Usuario



Estufa de circulación forzada LBX OVF

Introducción

Los usuarios deben leer este manual cuidadosamente, seguir las instrucciones y los procedimientos, con el fin de estar informados de todas las precauciones antes de usar el equipo, así como con el fin de obtener las máximas prestaciones y una mayor duración del equipo.

Servicio

Cuando necesite ayuda, puede contactar con su proveedor o con Labbox a través de: www.labbox.com (formulario de gestión de incidencias)

Por favor proporcione al personal de Atención al Cliente la siguiente información:

- Número de serie del equipo (en el panel trasero)
- Descripción del problema detectado
- Sus datos de contacto

Garantía

Este instrumento dispone de una garantía de 24 meses desde la fecha de factura para defectos de material y fabricación en caso de un uso normal descrito en este manual. La garantía se extiende solamente al comprador original. Esta garantía no se aplica al equipo o a cualquier pieza dañada como consecuencia de una mala instalación, malas conexiones, mal uso, un accidente o condiciones anormales de uso.

Para las reclamaciones bajo garantía, por favor póngase en contacto con su proveedor.

1. Instrucciones de seguridad

	Conecte el equipo a una fuente de alimentación provista de toma a tierra para garantizar la seguridad del instrumento y del experimento; conectar la alimentación cuando el equipo lo requiera.
	Se prohíbe el uso de este equipo en experimentos inflamables y explosivos, tóxicos o altamente corrosivos.
	Coloque la estufa de circulación forzada sobre una mesa horizontal, plana y estable, creando un espacio libre de 30 cm por cada lado.
	Este instrumento solo debe ser utilizado por personal cualificado previamente, que conozca el equipo y su manejo mediante el manual de uso.
	No coloque el instrumento en zonas próximas a fuentes de calor.
	Durante su funcionamiento, materiales peligrosos tales como sustancias inflamables o patológicas deben estar fuera del área de seguridad del instrumento.
	Un sobrellenado de la estufa podría causar que algunas partes se sobrecalienten, lo cual podría iniciar un incendio.
	Cuando la estufa esté en funcionamiento, para evitar quemaduras, no toque la superficie de trabajo ni la ventana de observación.
	El personal no cualificado no puede desmontar ni reparar el instrumento.
	Lea el manual de instrucciones antes de usar este instrumento.

- Durante el uso del equipo, usar protección de seguridad personal (EPI) evitará riesgos de posibles daños como:
 - Quemaduras causadas por el contacto con superficies o materiales calientes
 - Quemaduras por salpicaduras y evaporación de líquidos.
 - Intoxicación por emisión de gases tóxicos o combustibles.

- Coloque el equipo en una superficie plana, estable, limpia, antideslizante y a prueba de fuego que pueda soportar el peso del equipo. No utilice el equipo en atmósferas explosivas o con materiales peligrosos.

- Cuidado con los peligros causados por:
 - Materiales o medios inflamables con una temperatura de ebullición baja.
 - Sobrellenado del equipo
- Compruebe el equipo y los accesorios antes de cada uso. No utilice componentes en mal estado.
- Preste atención a la temperatura configurada al tratar con material inflamable.
- El equipo sólo se puede desconectar de la toma de corriente tirando de la base del enchufe, no del cable.
- El voltaje indicado en el equipo debe corresponder al de la red eléctrica utilizada.
- Asegúrese que el cable de alimentación principal no esté en contacto con la superficie calefactora. No cubra el equipo.
- Mantenga el equipo alejado de elevados campos magnéticos.

2. Normas de uso

Este equipo está diseñado especialmente para propósitos educacionales, industriales o de investigación. Este aparato no es adecuado para uso doméstico o en ambientes que pudieran ser peligrosos para el usuario o el equipo.

3. Inspección

3.1 Recepción

Desempaque cuidadosamente el instrumento y compruebe que el equipo y/o los accesorios hayan llegado sin daños aparentes. En caso necesario póngase en contacto con el proveedor que le suministró el equipo para solicitar ayuda técnica.



Nota:

Si el equipo está dañado, no debe conectarse a la red eléctrica

3.2 Lista de piezas

El paquete incluye las siguientes piezas

Contenido	Cantidad
Unidad principal	1
Cableado	1
Bandeja	2
Manual de usuario	1

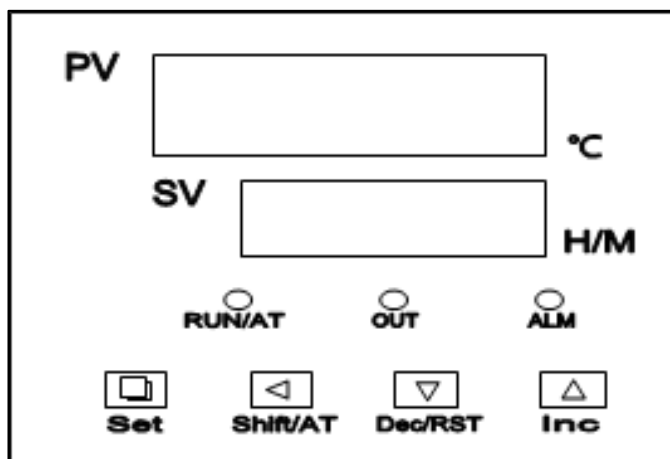
4. Elementos de control

4.1 Estufa de circulación forzada LBX OVF



Nota: El enchufe se encuentra en la parte trasera del equipo.

4.2 Panel de control



1. **Pantalla PV:** valor de medida actual
2. **pantalla SV:** valor de medida configurado
3. **RUN/AT:** indicador de trabajo
4. **OUT:** indicador de calor
5. **ALM:** indicador de alarma
6. **Set:** confirmación de parámetros
7. **"◀" Shift/AT:** cambio de dígito
8. **"▼" Dec/RST:** disminuye valor parámetro
9. **"▲" Inc:** aumenta valor parámetro

- La **pantalla PV** mostrará la temperatura real del área de trabajo mientras que la **pantalla SV** muestra la temperatura previamente configurada.
- Indicador **RUN/AT:** Este indicador se enciende cuando el controlador está en marcha, cuando el tiempo de ejecución finaliza, este indicador no está encendido.
- Indicador **OUT:** Este indicador se enciende cuando el calefactor está en marcha, en caso contrario, este indicador no está encendido.
- Indicador **ALM:** Cuando la alarma de sobre-temperatura ocurre, este indicador se enciende.

5. Test de funcionamiento

- Desenvuelva el equipo y, sin conectar el equipo a la red, asegúrese de que no presenta ningún daño. En caso de que el equipo presente algún daño, comuníquelo inmediatamente a su agente de transporte o distribuidor.
- Coloque el equipo en una superficie llana y estable que pueda soportar el peso del dispositivo y deje 30 cm libres en cada lado.
- Asegúrese de que el voltaje de operación requerido y el voltaje de la fuente de alimentación coinciden.
- Asegúrese de que el enchufe está conectado a tierra.
- Encienda el botón de encendido.
- La pantalla PV mostrará la temperatura real de la sala de trabajo. La pantalla SV mostrará la temperatura previamente configurada.
- Presione el botón SET y configure una temperatura más alta (como se muestra en 6.1). Si la temperatura aumenta, el equipo está funcionando correctamente.
- Apague el botón de encendido para apagar el horno.

6. Manejo

- Coloque el equipo en una superficie llana y estable que pueda soportar el peso del dispositivo y deje 30 cm libres en cada lado.
- Coloque la muestra en el recipiente (consejo: el tamaño de la muestra no debe ser de más de 2/3 del estante); luego cierre la puerta del contenedor.
- Encienda el botón de encendido y luego encienda el botón del ventilador. La pantalla PV mostrará la temperatura real del cuarto de trabajo mientras que la pantalla SV muestra la temperatura previamente ajustada.
- Después del uso, apague el equipo presionando el interruptor ON/OFF y desenchúfelo.

6.1 Ajuste de la temperatura de trabajo

La temperatura de trabajo máxima es 300°C, configure la temperatura de la siguiente forma:

- Presione el botón SET. El controlador se ejecutará en el estado de ajuste de temperatura.
- En el estado de ajuste de temperatura, use los botones "▼" y "▲" para seleccionar el valor de temperatura deseado. Use el botón "◀" para pasar de un dígito al siguiente. Presione dos veces el botón SET, saldrá del estado de configuración y la configuración se guardará automáticamente.
- La temperatura comenzará a subir hasta que la sala de trabajo alcance el valor de temperatura deseado.
- La pantalla PV mostrará la temperatura real del cuarto de trabajo mientras que la pantalla SV muestra la temperatura previamente ajustada.

Nota: No apague el ventilador mientras la temperatura está subiendo ya que eso podría acelerar el envejecimiento del calentador

6.2 Ajuste del temporizador

Por defecto, esta característica estará desconectada. Por lo tanto, el equipo seguirá trabajando hasta que se apague manualmente.

- Pulse el botón SET. El controlador se ejecutará en el estado de ajuste de temperatura. Pulse el botón SET otra vez, el controlador se ejecutará en estado de ajuste del temporizador.
- En el estado de ajuste del temporizador, use los botones "▼" y "▲" para seleccionar el valor de tiempo deseado (1-9999 min). Use el botón "◀" para pasar de un dígito al siguiente. Presione el botón SET, saldrá del estado de configuración y la configuración se guardará automáticamente.
- Cuando la temperatura llegue al valor configurado en 6.1, el temporizador comenzará. Cuando el tiempo de ejecución finalice, la pantalla SV señalará "End", la bocina sonará durante 30 segundos y el calentador se desconectará.
- Para parar el sonido de la alarma, pulse cualquier tecla del controlador.
- Para desconectar esta característica, puede configurar el tiempo deseado a 0000 min.

6.3 Alarma de temperatura

- La alarma está configurada por defecto a 5°C.
- Esto significa que cuando la temperatura de trabajo sea 5°C superior a la temperatura deseada, la alarma se activará.
- Cuando la alarma de temperatura se active, la bocina sonará y "ALM" se iluminará. Para parar el sonido, puede pulsar cualquier botón.
- Si una sobre-temperatura de 5°C es alcanzada cambiando manualmente el valor de la temperatura (6.1), "ALM" se iluminará, pero la bocina no sonará.

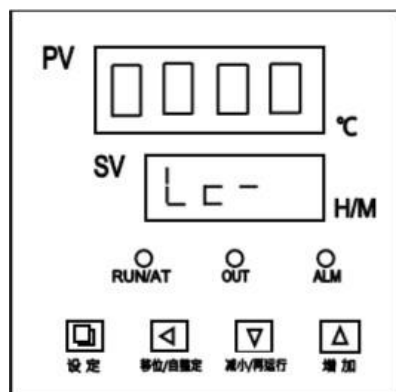
6.4 Otros

- En el estado de ajuste, el controlador volverá al estado de ejecución si ninguna tecla es pulsada durante un minuto.
- Si la ventana de visualización muestra "----" indica un error de temperatura.

6.5 Configuración avanzada

Configuración de parámetros internos.

- Para editar cualquiera de los parámetros internos, mantenga pulsado el botón SET durante 3 segundos. La pantalla SV mostrará "Lc-", lo cual requerirá una contraseña en la pantalla PV para editar los parámetros internos.



- Ajuste la contraseña en la pantalla PV al valor requerido (0003 para editar valores de la lista de parámetros-1 o 0009 para editar valores de la lista de parámetros-2, las listas se encuentran debajo).
- Una vez introduzca la contraseña en la pantalla PV, pulse el botón SET, ejecutará el ajuste de parámetros internos.
- Para cambiar de parámetro, pulse el botón SET, podrá ir uno por uno por todos los parámetros de la lista.
- Si pulsa el botón SET durante otros 3 segundos, volverá al estado de ejecución.

Lista de parámetros-1:

Indicador de parámetro	Nombre	Instrucción de funcionamiento del parámetro	(Rango de ajuste) Valor de fábrica
Lc-	Contraseña	Cuando Lc = 3, entonces podemos ver y modificar los parámetros	0
AL-	Configuración de alarma	Cuando la temperatura está más allá de "Temp + AL", el indicador de alarma se enciende. La bocina suena y la calefacción se apaga.	(0~100°C) 5
T-	Ciclo de control	El ciclo de control de temperatura	(1~60S)
P-	Banda proporcional	Ajuste del parámetro proporcional	(1.0~rH) 30
I-	Tiempo de integración	Ajuste del parámetro de integración	(1~1000S) 400
d-	Tiempo diferencial	Ajuste del parámetro diferencial	(0~1000S) 200
Pb-	Ajuste de punto cero	Ajuste del parámetro de punto cero	(-50~50°C) 0
PK-	Ajuste de punto completo	Ajuste del parámetro de punto completo	(-999~999) 0
Et-	Función de temporización	Cuando ET = 0, Se desactiva la función de temporización Cuando ET = 1, La función de temporización empieza sin la necesidad de alcanzar la temperatura configurada Cuando ET = 2, La función de temporización empieza al alcanzar la temperatura configurada	(0~2) 2

Parameters Indicating	SP	St	Lc	AL	T	P	I	d
English Name	SP	St	Lc	AL	T	P	■	d
Parameters Indicating	Pb	Pk	Co	Hn	oP	rH	En	Lt
English Name	Pb	Pk	Co	Hn	oP	rH	En	Lt

Lista de parámetros-2:

Indicador de parámetro	Nombre	Instrucción de funcionamiento del parámetro	(Rango de ajuste) Valor de fábrica
Lc-	Contraseña	Cuando Lc = 9, entonces podemos ver y modificar los parámetros	0
Co-	Desactive la desviación de calor	Cuando "PV ≥ SP + Co", apaga la calefacción.	(0.0 ~ 50.0°C) 5.0
Hn-	Modo de tiempo de temperatura constante.	0 : tiempo minutos ; 1 : tiempo horas	(0 ~ 1) 0
En-	Temperatura de fin de operación	Cuando EN = 0, cuando el tiempo de ejecución finaliza, la pantalla SV mostrará "End", la bocina sonará durante 30 segundos y el calentador se desconectará. Cuando EN = 1, cuando el tiempo de ejecución finaliza, la pantalla SV no mostrará "End", la bocina sonará durante 30 segundos y el calentador continuará a temperatura constante	(0 ~ 1) 0
Lt-	Potencia de salida máxima	El porcentaje de potencia máxima de calefacción	(0 ~ 100) 100
oP-	Función de control de puerta	0: apagado de la función de abrir la puerta para visionar la muestra, 1: encendido de la función de abrir la puerta para visionar la muestra	(0 ~ 1) 1

7. Resolución de fallos

- El equipo no se puede encender
 - Compruebe que el cable está correctamente conectado.
- La temperatura no llega al valor configurado
 - Compruebe si ha configurado la temperatura demasiado baja y reajústela.
 - Examine si hay daños aparentes que puedan haber surgido durante el transporte.
 - El calentador y/o el sistema eléctrico puede estar dañado.

Si estos fallos no se resuelven, contacte a su proveedor.

8. Mantenimiento

- Un mantenimiento adecuado puede mantener los instrumentos funcionando correctamente y alargar su vida útil.
- No rocíe limpiador en el instrumento durante la limpieza. Evite limpiar el equipo con soluciones químicas para evitar daño por reacciones.
- Desenchufe la línea de alimentación mientras limpia.
- Use los guantes de protección adecuados durante los procedimientos de limpieza.
- El dispositivo debe limpiarse y descontaminarse antes de enviarlo a reparar.
- Debe ser enviado con el embalaje original.
- Asegúrese de que el dispositivo se usa en una superficie limpia y seca y que la temperatura ambiente sea estable.

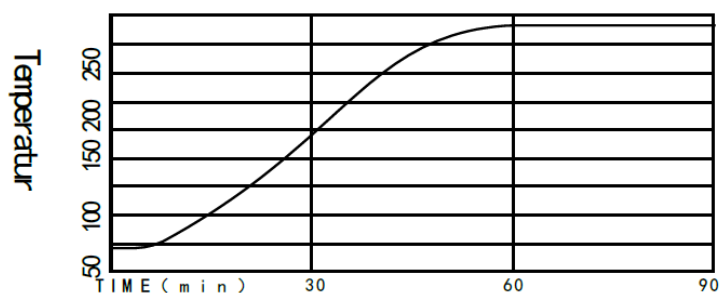
9. Transporte y almacenamiento

- Mantenga el dispositivo en un lugar seco y limpio con buena ventilación y libre de gases corrosivos y atmósferas inflamables o corrosivas.
- Asegúrese de que el dispositivo no se moja ni se golpea durante el transporte.

10. Características técnicas

Modelo	DOVF-030-001	DOVF-045-001	DOVF-065-001	DOVF-125-001
Voltaje	AC220V 50-60Hz			
Potencia(w)	800W	1200W	1600W	2300W
Rango de temperatura	RT+10~300°C			
Fluctuación de temperatura	±1.0°C			
Tamaño de la cámara interna A*L*H (mm)	310×310×310	350*×350×350	400×360×460	500×450×550
Tamaño exterior A*L*H (mm)	450x500x690	490x540x730	590x625x885	640x630x930
Carga de la estantería	15 kg			
Peso (kg)	39	42	47	56
Cantidad de estanterías	2			

Perfil de temperatura



11. Condiciones de trabajo

La estufa funciona bajo las siguientes condiciones:

1. Rangos de temperatura entre 5~40°C;
2. Humedad relativa inferior a 85% HR;
3. Potencia: voltaje 110v, frecuencia 50-60Hz;
4. Ausencia de gas corrosivo rodeando la estufa

Mode d'emploi



LBX OVF Etuve de séchage à circulation d'air forcée

Préface

Tout utilisateur de l'appareil LBX Instruments doit lire attentivement ce mode d'emploi, suivre les instructions et procédures et respecter toutes les règles de sécurité.

Service clients

En cas de problème ou pour toute information technique, vous pouvez contacter votre fournisseur ou Labbox, à travers la page Web : www.labbox.com (rubrique : Gestion des non-Conformités)

Merci de préciser les informations suivantes:


- Numéro de série (indiqué sur le dessous ou sur le panneau arrière de l'appareil)
- Description du problème
- Vos informations de contact (nom de l'entreprise, nom du contact, téléphone, email)

Garantie

Cet instrument est garanti contre tout défaut de fabrication ou de matériaux, dans les conditions normales d'utilisation, pour une période de 24 mois à partir de la date apparaissant sur la facture. Cette garantie ne s'applique uniquement qu'à l'acheteur d'origine. Elle ne s'applique pas sur les produits ou pièces qui auraient été abimé(e)s en raison d'une installation incorrecte, de connexions incorrectes, de mauvaise utilisation, d'accident ou de conditions anormales d'utilisation.

Pour toute réclamation durant la période de garantie, contacter votre fournisseur.

1. Règles de sécurité

	Toujours brancher l'appareil à une source d'alimentation avec prise terre pour garantir la sécurité de l'instrument et fournissant la puissance adéquate.
	Ne pas utiliser cet instrument dans un environnement inflammable, explosif, toxique ou fortement corrosif.
	Toujours positionner l'appareil sur une surface horizontale parfaitement plane et stable, en laissant un espace libre de 30 cm de chaque côté.
	Cet équipement ne doit être utilisé que par du personnel qualifié, ayant lu le manuel d'instructions et sachant le faire fonctionner correctement.
	Ne pas placer l'appareil près d'une source de chaleur.
	Durant le fonctionnement, les produits dangereux comme les substances inflammables ou pathologiques doivent rester éloignés de la zone de travail.
	Un remplissage excessif pourrait entraîner la surchauffe de certaines pièces, ce qui pourrait provoquer un incendie.
	Pendant que l'équipement fonctionne, ne pas toucher la surface de l'appareil et la fenêtre d'observation afin d'éviter les brûlures.
	Les non-professionnels ne sont pas autorisés à démonter et réparer cet équipement, la maintenance ou réparation de cet appareil ne pourra se faire que par des techniciens professionnels formés et autorisés.
	Lire le manuel d'instructions avant utilisation.

- Lors de l'utilisation de cet appareil, porter les équipements de protection adéquates pour éviter les risques de :
 - Brûlures causées par les éclaboussures et évaporation des liquides
 - Brûlures causées par le contact avec des surfaces ou matériaux chauds
 - Intoxications causées par des rejets de gaz ou combustibles toxiques
- Positionner l'instrument sur une grande surface stable, propre, anti-dérapant, sèche et non-inflammable ; ne pas utiliser l'appareil dans un environnement explosif, avec des substances dangereuses ou sous l'eau.

- Faire particulièrement attention aux dangers causés par :
 - Des matériaux inflammables ou aux produits ayant une faible température d'ébullition
 - Remplissage excessif
- Avant chaque utilisation, vérifier le bon état de l'appareil et de ses accessoires. Ne pas utiliser de composants endommagés. L'utilisation en toute sécurité n'est garantie uniquement qu'avec les accessoires inclus.
- Faire attention aux températures paramétrées quand des produits inflammables sont utilisés.
- L'appareil ne peut seulement être déconnecté de l'alimentation principale qu'en retirant le câble d'alimentation de la prise de courant.
- Faire correspondre le voltage précisé sur la plaquette de votre appareil à celui fourni par l'alimentation principale.
- S'assurer que le câble d'alimentation ne soit pas en contact avec la surface de l'étuve. Ne pas couvrir l'appareil.
- Tenir l'appareil éloigné de tout champ magnétique élevé

2. Utilisation Générale

Cet appareil est conçu spécialement pour chauffer des liquides dans les laboratoires des écoles, universités et entreprises de chimie présentant tous les critères de sécurité présentés dans le chapitre 1. Il n'a pas été conçu pour une utilisation hors de ce cadre, en particulier dans les zones résidentielles.

3. Inspection

3.1. Lors du déballage

Déballer l'équipement avec précaution et vérifier s'il n'y a aucun dommage résultant du transport. En cas de problème, refuser la livraison ou émettre une réserve et contacter rapidement votre fournisseur.



Remarque :

S'il l'appareil présente un dommage apparent, ne pas le brancher à une source de courant.

3.2. Liste des articles livrés

Votre appareil est livré avec les articles suivants :

Articles	Qté
Unité principale	1
Câble d'alimentation	1
Étagères	2
Mode d'emploi	1

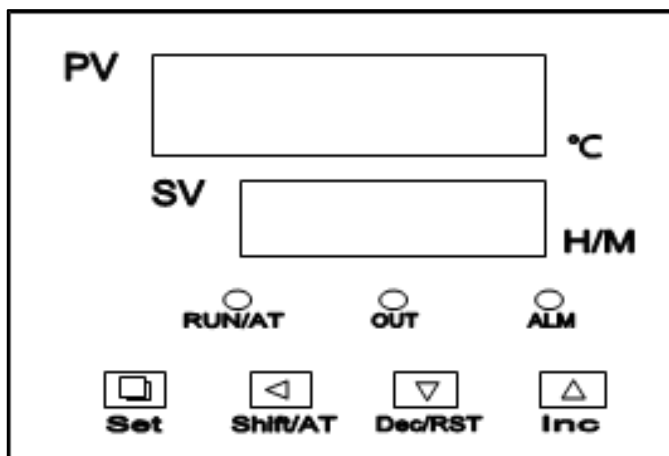
4. Description de l'appareil

4.1 Etuve de séchage à circulation d'air forcée LBX OVF



Remarque : La connexion pour la prise est située à l'arrière de l'appareil.

4.2 Ecran de contrôle



1. **Ecran PV** : valeur de mesure actuelle
2. **Ecran SV** : valeur de mesure paramétrée
3. **RUN/AT** : indicateur de travail
4. **OUT** : indicateur de chauffe
5. **ALM** : indicateur d'alarme
6. **Set** : validation des paramètres
7. "◀" **Shift/AT** : passer au chiffre suivant
8. "▼" **Dec/RST** : diminuer valeur paramètre
9. "▲" **Inc** : augmenter valeur paramètre

- L'écran **PV** affichera la température réelle de l'enceinte de travail tandis que l'écran **SV** indique la température précédemment paramétrée.
- Indicateur **RUN/AT** : Cet indicateur s'allume lorsque le contrôleur est en marche ; lorsque le temps de fonctionnement est terminé, cet indicateur n'est pas allumé.
- Indicateur **OUT** : Cet indicateur s'allume lorsque le chauffage fonctionne, sinon, cet indicateur n'est pas allumé.
- Indicateur **ALM** : Lorsque l'alarme de surchauffe s'enclenche, cet indicateur s'allume.

5. Première utilisation

- Déballer l'équipement et, sans connecter l'équipement au secteur électrique, vérifier qu'il ne présente aucun dommage. Si l'équipement présente des dommages, contacter immédiatement le fournisseur.
- Placer l'appareil sur une surface plane et stable pouvant supporter le poids de l'appareil en laissant 30 cm de côté de chaque côté.
- Vérifier que la tension de fonctionnement requise et la tension d'alimentation correspondent.
- Vérifier que la prise soit bien reliée à la terre.
- Allumer le bouton d'alimentation.
- L'écran PV affichera la température réelle de l'enceinte de travail. L'écran SV affichera la température précédemment paramétrée.
- Appuyer sur le bouton SET et régler une température plus élevée (comme indiqué en 6.1). Si la température augmente, l'équipement fonctionne correctement.
- Éteindre le bouton d'alimentation pour éteindre l'étuve.

6. Utilisation

- Placer l'appareil sur une surface plane et stable pouvant supporter le poids de l'appareil en laissant 30 cm de côté de chaque côté.
- Placer l'échantillon dans le récipient (conseil : la taille de l'échantillon ne doit pas dépasser les 2/3 de l'étagère) puis fermer la porte de l'étuve.
- Allumer le bouton d'alimentation puis tourner le bouton du ventilateur sur ON.
- L'écran PV affichera la température réelle de l'enceinte de travail. L'écran SV affichera la température précédemment paramétrée.
- Après utilisation, éteindre l'équipement en appuyant sur le bouton d'alimentation et le débrancher.

6.1 Réglage de la température de travail

La température de travail maximale est de 300°C. Pour régler la température :

- Appuyer sur le bouton SET. Le contrôleur passera en mode de « réglage de la température ».
- Dans le mode « réglage de température », utiliser les boutons "▼" et "▲" pour sélectionner la valeur de température souhaitée. Utiliser le bouton "◀" pour passer d'un chiffre à l'autre. Appuyer à nouveau deux fois sur le bouton SET pour quitter le mode « réglage de température » et les valeurs seront automatiquement enregistrées.
- La température commencera à augmenter jusqu'à ce que l'enceinte de travail atteigne la valeur de température souhaitée.
- L'écran PV affichera la température réelle de l'enceinte de travail. L'écran SV affichera la température précédemment paramétrée.

Remarque : Ne pas fermer le ventilateur lorsque la température augmente sinon cela pourrait accélérer le vieillissement de l'appareil.

6.2 Réglage de la minuterie

Par défaut, cette fonction sera désactivée. Par conséquent, l'équipement continuera à fonctionner jusqu'à ce qu'il soit éteint manuellement.

- Appuyer sur le bouton SET. Le contrôleur passera en mode de « réglage de la température ». Appuyer à nouveau sur le bouton SET, le contrôleur passera en mode de « réglage de la minuterie ».
- En mode « réglage de la minuterie », utiliser les boutons "▼" et "▲" pour sélectionner la valeur de temps souhaitée (1-9999 min). Utiliser le bouton "◀" pour passer d'un chiffre à l'autre. Appuyer à nouveau sur le bouton SET pour quitter le mode « réglage de la minuterie » et les valeurs seront automatiquement enregistrées.
- Lorsque la température atteint la valeur définie à 6,1, la minuterie démarre. Lorsque le temps est écoulé, l'écran SV affiche "End", l'avertisseur émet un son pendant 30 secondes et le chauffage est déconnecté.
- Pour arrêter le signal sonore, appuyer sur n'importe quelle touche de l'écran de contrôle.
- Pour désactiver cette fonction, régler la valeur de la minuterie sur 0000 min.

6.3 Alarme de surchauffe

- L'alarme est réglée par défaut à 5°C. Cela signifie que lorsque la température de travail est supérieure de 5°C à la température souhaitée, l'alarme s'active.
- Lorsque l'alarme de surchauffe s'active, l'avertisseur sonore retentit et "ALM" s'allume. Pour arrêter l'alarme, appuyer sur n'importe quelle touche de l'écran de contrôle.
- Si une température excédante de 5°C est atteinte en changeant manuellement la valeur de la température (6.1), "ALM" s'allumera mais l'avertisseur sonore ne retentira pas.

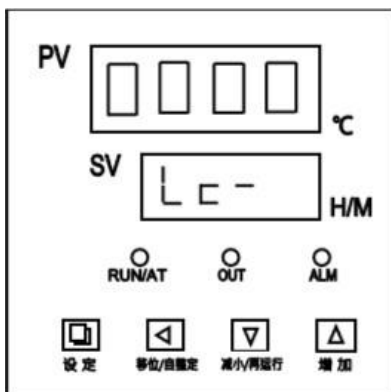
6.4 Autres

- En mode de réglage, le contrôleur retournera à l'état RUN si aucune touche n'est pressée dans la minute.
- Si la fenêtre d'affichage affiche "----", cela indique le défaut de température.

6.5 Paramètres avancés

Réglage des paramètres internes

- Pour modifier l'un des paramètres internes, appuyer sur le bouton SET pendant 3 secondes. L'écran SV affichera "Lc-", qui nécessitera un mot de passe dans l'écran PV afin de modifier les paramètres internes.



- Régler le mot de passe sur l'écran PV selon la valeur requise (0003 pour modifier les valeurs des paramètres de la liste 1 ou 0009 pour modifier les valeurs des paramètres de la liste 2, voir listes ci-dessous).
- Une fois modifié le mot de passe sur l'écran PV, appuyer à nouveau sur le bouton SET, il passera en mode de « réglage de paramètres internes ».
- Pour naviguer entre les paramètres de la liste, appuyer sur le bouton SET.
- En appuyant sur le bouton SET pendant 3 secondes supplémentaires, l'appareil reviendra en mode RUN.

Paramètres liste 1 :

Indicateur de paramètres	Nom	Instruction de la fonction Paramètre	(Plage de réglage) Valeur par défaut
Lc-	Mot de Passe	Quand Lc=0003, il est possible de visualiser et modifier les paramètres	0000
AL-	Réglage alarme	Lorsque la température est supérieure à «Temp + AL», l'indicateur d'alarme s'allume. La sonnerie retentit et le chauffage s'arrête.	(0~100°C) 5
T-	Cycle de contrôle	Le cycle de contrôle thermique de la température	(1~60S)
P-	Bande proportionnelle	Réglage du paramètre proportionnel.	(1.0~rH) 30
I-	Temps d'intégration	Réglage du paramètre d'intégration.	(1~1000S) 400
d-	Temps différentiel	Réglage du paramètre différentiel	(0~1000S) 200
Pb-	Réglage du point zéro	Réglage du paramètre du point zéro	(-50~50°C) 0
PK-	Réglage du point complet	Réglage du paramètre du point complet	(-999~999) 0
Et-	Fonction minuterie	Lorsque ET = 0, la fonction de minuterie est désactivée. Lorsque ET = 1, la fonction de minuterie démarre sans qu'il soit nécessaire d'atteindre la valeur de température paramétrée. Lorsque ET = 2, la fonction de minuterie démarre lorsque la valeur de température paramétrée est atteinte.	(0~2) 2

Parameters Indicating	SP	St	Lc	AL	T	P	I	d
English Name	SP	St	Lc	AL	T	P	■	d
Parameters Indicating	Pb	Pk	Co	Hn	oP	rH	En	Lt
English Name	Pb	Pk	Co	Hn	oP	rH	En	Lt

Paramètres liste 2 :

Indicateur de paramètres	Nom	Instruction de la fonction Paramètre	(Plage de réglage) Valeur par défaut
Lc-	Mot de Passe	Quand Lc=0009, il est possible de visualiser et modifier les paramètres	0
Co-	Désactiver la déviation de chauffage	Quand "PV \geq SP+Co", cela éteint le chauffage	(0.0~50.0°C) 5.0
Hn-	Mode de temps de température constante	0 : temps minutes ; 1 : temps heures	(0~1) 0
En-	Température de fin d'opération	Lorsque EN = 0, quand la durée de fonctionnement est écoulée, l'écran SV affiche « End », le signal sonore retentit pendant 30 secondes et le chauffage est déconnecté. Lorsque EN = 1, quand la durée de fonctionnement est écoulée, l'écran SV ne montre pas « End », le signal sonore retentit pendant 30 secondes et le chauffage continue à température constante.	(0~1) 0
Lt-	Puissance de sortie maximale	Le pourcentage de puissance maximale de chauffage	(0~100)100
oP-	Fonction de contrôle de porte	0 : blocage de la porte ; 1 : déverrouillage de la porte	(0~1) 1

7. Résolution d'incidence

- L'appareil ne peut pas s'allumer
 - Vérifier que le câble d'alimentation soit correctement branché
- La température n'atteint pas l'intensité désirée
 - Vérifiez si la température paramétrée ne soit pas trop basse et l'ajuster le cas échéant
 - Vérifier qu'il n'y ait pas de dommages apparents qui auraient pu survenir pendant le transport
 - Le chauffage et/ou le système électrique peuvent être endommagés.

Si la panne persiste, merci de contacter votre fournisseur.

8. Maintenance

- Un entretien adéquat peut permettre à votre appareil de fonctionner correctement plus longtemps et d'allonger sa durée de vie.
- Ne pas pulvériser de produit nettoyant sur l'appareil lors du nettoyage. Eviter de nettoyer l'équipement avec des solutions chimiques pour éviter les dommages causés par les réactions.
- Débrancher le câble d'alimentation lors du nettoyage.
- Porter des gants de protection pour le nettoyage.
- L'équipement doit être nettoyé et décontaminé avant de l'envoyer pour réparation.
- L'équipement doit être expédié dans son emballage d'origine.
- L'équipement doit toujours être utilisé sur une surface propre et sèche et la température ambiante doit être stable.

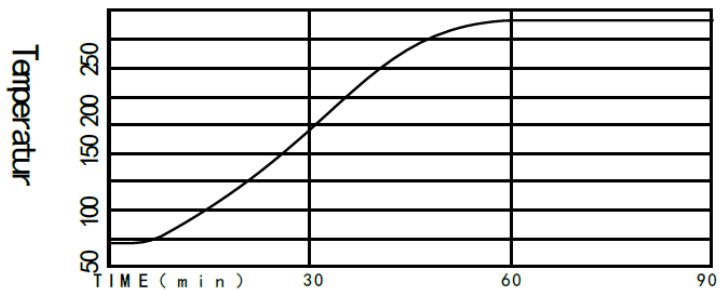
9. Stockage et transport

- Garder l'appareil dans un endroit sec et propre, ayant une bonne ventilation, sans gaz corrosifs et atmosphères inflammables ou corrosives
- Eviter que l'appareil ne se mouille et les chocs lors des transports

10. Caractéristiques techniques

Modèle	DOVF-030-001	DOVF-045-001	DOVF-065-001	DOVF-125-001
Voltage	AC220V 50-60Hz			
Puissance (W)	800W	1200W	1600W	2300W
Echelle de température	RT+10~300°C			
Fluctuation de la Température	±1.0°C			
Dimensions enceinte interne L*I*h (mm)	310×310×310	350*×350×350	400×360×460	500×450×550
Dimensions extérieures L*I*h (mm)	450x500x690	490x540x730	590x625x885	640x630x930
Charge étagère	15 kg			
Poids (kg)	39	42	47	56
Nombre d'étagères	2			

Courbe de température



Remarque : Le temps de préchauffage est différent selon modèle.

11. Conditions de travail

L'équipement fonctionne dans les conditions suivantes :

1. Echelle de température : 5~40°C
2. Humidité relative : < 85% HR
3. Voltage : 110V ; Fréquence : 50-60Hz
4. Absence de gaz corrosif autour de l'équipement



Stufa a circolazione forzata LBX OVF

Introduzione

Gli utenti devono leggere attentamente questo manuale, seguire le istruzioni e le procedure, al fine di essere informati di tutte le precauzioni prima di utilizzare l'apparecchiatura, nonché per ottenere le massime prestazioni e maggiore durata dell'apparecchiatura.

Servizio

In caso bisogno, può contattare il suo rivenditore o Labbox tramite: www.labbox.com (modulo di gestione dei reclami)

Si prega di fornire al personale del servizio clienti le seguenti informazioni:

- Numero di serie dell'apparecchiatura (sul pannello posteriore)
- Descrizione del problema rilevato
- I suoi dati di contatto

Garanzia

Quest'apparecchiatura ha una garanzia di 24 mesi dalla data di fatturazione per i difetti dei materiali e di fabbricazione in caso di normale utilizzo descritto in questo manuale. La garanzia si estende solo all'acquirente originale. Questa garanzia non si applica ad apparecchiature o parti danneggiate a causa di una cattiva installazione, collegamenti scadenti, uso improprio, incidenti o condizioni di utilizzo anormali.

Per richieste di garanzia, contattare il proprio fornitore.

1. Istruzioni di sicurezza

	Collegare l'apparecchiatura a una fonte di alimentazione con messa a terra per garantire la sicurezza dello strumento e dell'esperimento; collegare l'alimentazione quando l'apparecchiatura lo richiede.
	È vietato l'uso di questa apparecchiatura in esperimenti infiammabili ed esplosivi, tossici o altamente corrosivi.
	Posizionare la stufa a circolazione forzata su un tavolo orizzontale, piano e stabile, creando uno spazio libero di 30 cm per lato.
	Quest'apparecchiatura deve essere utilizzata solo da personale preventivamente qualificato, che conosce l'apparecchiatura e il suo utilizzo attraverso il manuale utente.
	Non posizionare l'apparecchiatura in aree vicino a fonti di calore.
	Durante il funzionamento, materiali pericolosi come sostanze infiammabili o patologiche devono trovarsi al di fuori dell'area.
	Un riempimento eccessivo della stufa potrebbe causare il surriscaldamento di alcune parti, il che potrebbe provocare un incendio.
	Quando la stufa è in funzione, per evitare scottature, non toccare il piano di lavoro o la finestra di osservazione.
	Il personale non qualificato non può smontare o riparare lo strumento.
	Leggere il manuale di istruzioni prima di utilizzare quest'apparecchiatura.

- Durante l'uso dell'apparecchiatura, indossare dispositivi di protezione individuale (DPI) eviterà rischi di possibili danni come:
 - Ustioni causate dal contatto con superfici o materiali caldi
 - Ustioni da schizzi ed evaporazione di liquidi.
 - Intossicazione da emissione di gas tossici o combustibili.
- Posizionare l'apparecchiatura su una superficie piana, stabile, pulita, antiscivolo e ignifuga che possa sostenere il peso dell'apparecchiatura. Non utilizzare l'apparecchiatura in atmosfere esplosive o con materiali pericolosi.

- **Attenzione ai pericoli causati da:**
 - Materiali o mezzi infiammabili con una temperatura di ebollizione bassa.
 - Sovraccarico dell'apparecchiatura
- Controllare l'apparecchiatura e gli accessori prima di ogni utilizzo. Non utilizzare componenti in cattive condizioni.
- Prestare attenzione alla temperatura impostata quando si tratta di materiale infiammabile.
- L'apparecchiatura può essere scollegata dalla presa di corrente solo tirando la base della spina, non il cavo.
- La tensione indicata sull'apparecchiatura deve corrispondere a quella della rete elettrica utilizzata.
- Assicurarsi che il cavo di alimentazione principale non sia a contatto con la superficie riscaldante. Non coprire l'apparecchiatura.
- Tenere l'apparecchiatura lontana da campi magnetici elevati.

2. Norme di utilizzo

Questa apparecchiatura è appositamente progettata per scopi educativi, industriali o di ricerca. Questa apparecchiatura non è adatta per uso domestico o in ambienti che potrebbero essere pericolosi per l'utente o l'apparecchiatura.

3. Ispezione

3.1 Ricezione

Disimballare con cura lo strumento e controllare che l'apparecchiatura e / o gli accessori siano arrivati senza danni apparenti. Se necessario, contattare il fornitore che le ha fornito l'apparecchiatura per richiedere assistenza tecnica.



Nota:

Se l'apparecchiatura è danneggiata, non deve essere collegata alla corrente.

3.2 Lista imballaggio

Il pacchetto include le seguenti parti

Contenuto	Quantità
Unità principale	1
Cablaggio	1
Vassoio	2
Manuale d'uso	1

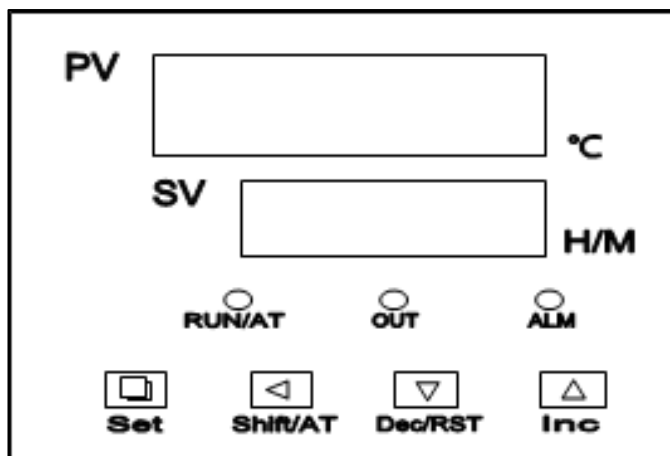
4. Elementi di controllo

4.1 Stufa a circolazione forzata LBX OVF



Nota: la spina si trova nella parte posteriore dell'apparecchiatura.

4.2 Pannello di controllo



1. **Display PV**: valore della misura attuale
2. **Display SV**: imposta il valore della misura
3. **RUN/AT**: indicatore di lavoro
4. **OUT**: indicatore di calore
5. **ALM**: indicatore di allarme
6. **Set**: conferma dei parametri
7. "**◀**" **Shift/AT**: cambio di cifra
8. "**▼**" **Dec / RST**: decrementa il valore del parametro
9. "**▲**" **Inc**: aumenta il valore del parametro

- Il **display PV** mostrerà la temperatura effettiva dell'area di lavoro mentre il **display SV** mostrerà la temperatura impostata in precedenza.
- Indicatore **RUN/AT**: questo indicatore si accende quando il controller è in esecuzione, quando l'esecuzione termina, questo indicatore non sarà acceso.
- Indicatore **OUT**: questo indicatore si accende quando la stufa è in funzione, in caso contrario l'indicatore non è acceso.
- Indicatore **ALM**: in caso di all'allarme di sovratemperatura, questo indicatore si accende.

5. Test di funzionamento

- Disimballare l'apparecchiatura e, senza collegare l'apparecchiatura alla corrente, assicurarsi che non sia danneggiata. In caso di danni all'apparecchiatura, avvisare immediatamente il proprio spedizioniere o fornitore.
- Posizionare l'apparecchiatura su una superficie piana e stabile in grado di supportare il peso dell'apparecchiatura, creando uno spazio di almeno 30 cm su ogni lato.
- Assicurarsi che la tensione di esercizio richiesta e la tensione di alimentazione corrispondano.
- Assicurarsi che la presa sia collegata a terra.
- Accendere il pulsante di accensione.
- Il display PV mostrerà la temperatura effettiva del laboratorio. Il display SV mostrerà la temperatura precedentemente impostata.
- Premere il pulsante SET e impostare una temperatura più alta (come mostrato in 6.1). Se la temperatura aumenta, l'apparecchiatura funziona correttamente.
- Spegnerne il pulsante di accensione per spegnere la stufa.

6. Utilizzo

- Posizionare l'apparecchiatura su una superficie piana e stabile in grado di supportare il peso del dispositivo e consentire 30cm liberi su ogni lato.
- Posizionare il campione nel contenitore (suggerimento: la dimensione del campione non deve essere superiore a 2/3 del ripiano); quindi chiudere la porta del contenitore.
- Accendere il pulsante di accensione e quindi accendere il pulsante del ventilatore. Il display PV mostrerà la temperatura effettiva del laboratorio mentre il display SV mostra la temperatura impostata in precedenza.
- Dopo l'uso, spegnere l'apparecchiatura premendo l'interruttore ON / OFF e scollegarla.

6.1 Impostazione della temperatura di lavoro

La temperatura massima di esercizio è di 300°C, impostare la temperatura come segue:

- Premere il pulsante SET. Il controller funzionerà nello stato di impostazione della temperatura.
- Nello stato di impostazione della temperatura, utilizzare i pulsanti "▼" e "▲" per selezionare il valore di temperatura desiderato. Utilizzare il pulsante "◀" per passare da una cifra a quella successiva. Premere due volte il pulsante SET, uscirà dallo stato di impostazione e l'impostazione verrà salvata automaticamente.
- La temperatura inizierà a salire fino a quando non avrà raggiunto l'impostazione di temperatura desiderata.
- Il display PV mostrerà la temperatura effettiva del laboratorio mentre il display SV mostra la temperatura impostata in precedenza.

Nota: non spegnere il ventilatore mentre la temperatura aumenta poiché ciò potrebbe diminuire la vita utile della stufa.

6.2 Impostazione del timer

Per impostazione predefinita, questa funzione sarà disattivata. Pertanto, l'apparecchiatura continuerà a lavorare fino a spegnersi manualmente.

- Premere il pulsante SET. Il controller funzionerà nello stato di impostazione della temperatura. Premere nuovamente il pulsante SET, il controller entrerà nello stato di impostazione del timer.
- Nello stato di impostazione del timer, utilizzare i pulsanti "▼" e "▲" per selezionare il valore di tempo desiderato (1-9999 min). Utilizzare il pulsante "◀" per passare da una cifra a quella successiva. Premere il pulsante SET, per uscire dallo stato di configurazione e la configurazione verrà salvata automaticamente.
- Quando la temperatura raggiunge il valore impostato in 6.1, parte il timer. Quando il tempo di esecuzione termina, il display SV indicherà "End", l'avvisatore acustico suonerà per 30 secondi e la stufa si spegnerà.
- Per interrompere il suono dell'allarme, premere un tasto qualsiasi sul controller.
- Per disattivare questa funzione, è possibile impostare il tempo desiderato su 0000 min.

6.3 Allarme temperatura

- L'allarme è impostato di default a 5°C.
- Ciò significa che quando la temperatura di lavoro è di 5°C superiore alla temperatura desiderata, l'allarme verrà attivato.
- Quando l'allarme di temperatura è attivato, l'avvisatore acustico suona e "ALM" si illumina. Per fermare il suono premere qualsiasi pulsante.
- Se si raggiunge una sovratemperatura di 5°C modificando manualmente il valore della temperatura (6.1), "ALM" si accende, ma l'avvisatore acustico non suona.

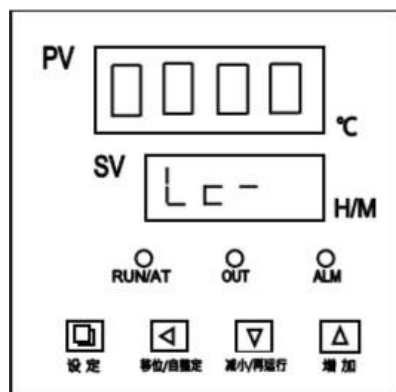
6.4 Altri

- Nello stato di impostazione, il controller tornerà allo stato di funzionamento se non viene premuto alcun tasto durante un minuto.
- Se la finestra di visualizzazione mostra "----" indica un errore di temperatura.

6.5 Configurazione avanzata

Configurazione dei parametri interni.

- Per modificare qualsiasi parametro interno, premere e tenere premuto il pulsante SET per 3 secondi. Il display SV mostrerà "Lc-", e verrà richiesta una password sul display PV per modificare i parametri interni.



- Impostare la password sulla schermata PV sul valore richiesto (0003 per modificare i valori dell'elenco dei parametri 1 o 0009 per modificare i valori dell'elenco dei parametri 2, gli elenchi sono di seguito).
- Una volta inserita la password nella schermata PV, premere il pulsante SET, verrà eseguita l'impostazione dei parametri interni.
- Per cambiare parametro, premere il pulsante SET, è possibile scorrere uno per uno tutti i parametri nell'elenco.
- Se si preme il pulsante SET per altri 3 secondi, tornerà allo stato di funzionamento.

Elenco parametri-1:

Indicatore dei parametri	Nome	Istruzioni per il funzionamento dei parametri	(Range di impostazione) Valore di fabbrica
Lc-	Password	Quando Lc = 3, possiamo vedere e modificare i parametri	0
AL-	Impostazione allarme	Quando la temperatura è oltre "Temp + AL", l'indicatore di allarme si accende. L'avvisatore acustico suona e il riscaldamento viene spento.	(0~100°C) 5
T-	Ciclo di controllo	Il ciclo di controllo della temperatura	(1~60S)
P-	Banda proporzionale	Impostazione proporzionale dei parametri	(1.0~rH) 30
IO-	Tempo di integrazione	Impostazione dei parametri di integrazione	(1~1000S) 400
d-	Tempo differenziale	Impostazione dei parametri differenziali	(0~1000S) 200
Pb-	Regolazione del punto zero	Impostazione dei parametri del punto zero	(-50~50°C) 0
PK-	Regolazione del punto pieno	Impostazione del parametro a punto pieno	(-999~999) 0
Et-	Funzione di temporizzazione	Quando ET = 0, La funzione di temporizzazione è disattivata Quando ET = 1, si avvia la funzione di temporizzazione senza la necessità di raggiungere la temperatura impostata Quando ET = 2, la funzione di temporizzazione inizia a raggiungere la temperatura impostata	(0~2) 2

Parameters Indicating	SP	St	Lc	AL	T	P	I	d
English Name	SP	St	Lc	AL	T	P	■	d
Parameters Indicating	Pb	Pk	Co	Hn	oP	rH	En	Lt
English Name	Pb	Pk	Co	Hn	oP	rH	En	Lt

Elenco parametri-2:

Indicatore dei parametri	Nome	Istruzioni per l'uso dei parametri	(Intervallo di impostazione) Valore di fabbrica
Lc-	Password	Quando Lc = 9, possiamo vedere e modificare il file parametri	0
Co-	Disabilita la deviazione del calore	Quando "PV ≥ SP + Co", spegnere il riscaldamento.	(0,0~50.0°C) 5.0
Hn-	Modalità di tempo della temperatura costante.	0 : minuti di tempo ; 1 : tempo ore	(0~1) 0
In-	Temperatura finale di funzionamento	Quando EN = 0, quando il tempo di esecuzione termina, il display SV mostrerà "End", l'avvisatore acustico suonerà per 30 secondi e il riscaldatore si spegnerà. Quando EN = 1, quando il tempo di funzionamento finisce, il display SV non mostrerà "End", l'avvisatore acustico suonerà per 30 secondi e il riscaldatore continuerà a funzionare a temperatura costante	(0~1) 0
Lt-	Potenza di uscita massima	La percentuale della potenza di riscaldamento massima	(0~100) 100
operazione-	Funzione di controllo porta	0: spegnimento della funzione "porta aperta" per visualizzare il campione, 1: attivare la funzione di apertura per visualizzare il campione	(0~undici)

12. Risoluzione dei problemi

- L'apparecchiatura non si accende
 - Verificare che il cavo sia collegato correttamente.
- La temperatura non raggiunge il valore impostato
 - Controllare se la temperatura è stata impostata su un valore troppo basso e regolarla nuovamente.
 - Esaminare eventuali danni apparenti che potrebbero essersi verificati durante il trasporto.
 - Il riscaldatore e / o l'impianto elettrico potrebbero essere danneggiati.

Se questi errori non vengono risolti, contattare il fornitore.

8. Manutenzione

- Una corretta manutenzione può mantenere gli strumenti funzionanti e allungarne la vita utile.
- Non spruzzare detergente sullo strumento durante la pulizia. Evitare di pulire l'attrezzatura con soluzioni chimiche per evitare danni da reazione.
- Scollegare la linea di alimentazione durante la pulizia.
- Indossare guanti protettivi adeguati durante le procedure di pulizia.
- Il dispositivo deve essere pulito e decontaminato prima di essere inviato per la riparazione.
- Deve essere spedito con l'imballo originale.
- Assicurarsi che il dispositivo venga utilizzato su una superficie pulita e asciutta e che la temperatura ambiente sia stabile.

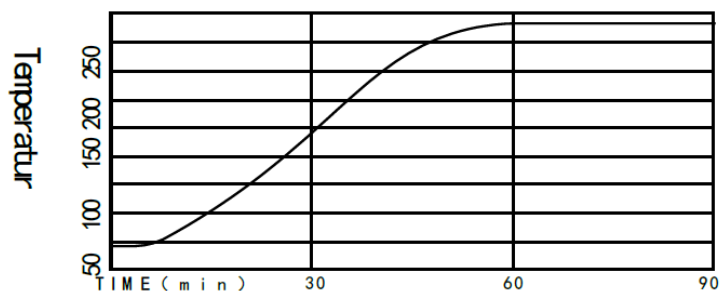
9. Trasporto e stoccaggio

- Conservare il dispositivo in un luogo asciutto e pulito con una buona ventilazione e privo di gas corrosivi e atmosfere infiammabili o corrosive.
- Assicurarsi che il dispositivo non si bagni o non subisca colpi durante il trasporto.

10. Caratteristiche tecniche

Modello	DOVF-030-001	DOVF-045-001	DOVF-065-001	DOVF-125-001
Voltaggio	AC220V 50-60 Hz			
Potenza (w)	800W	1200W	1600W	2300W
Range di temperatura	RT + 10 ~ 300°C			
Fluttuazione della temperatura	± 1.0°C			
Dimensioni camera interna A * L * H (mm)	310 × 310 × 310	350 * × 350 × 350	400 × 360 × 460	500 × 450 × 550
Dimensione esterna A * L * H (mm)	450x500x690	490x540x730	590x625x885	640x630x930
Caricamento del ripiano	15 kg			
Peso (kg)	39	42	47	56
Numero di ripiani	2			

Profilo di temperatura



11. Condizioni di lavoro

La stufa funziona nelle seguenti condizioni:

5. Range di temperatura tra 5 ~ 40°C;
6. Umidità relativa inferiore all'85%;
7. Potenza: tensione 110 V, frequenza 50-60 Hz;
8. Assenza di gas corrosivi attorno alla stufa

Nota importante para los aparatos electrónicos vendidos en España
Important note for electronic devices sold in Spain
Remarque importante pour les appareils électroniques vendus en Espagne

Instrucciones sobre la protección del medio ambiente y la eliminación de aparatos electrónicos:



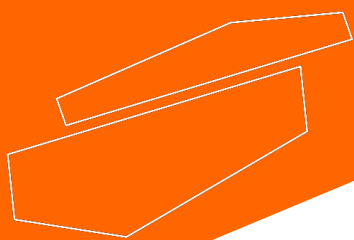
Los aparatos eléctricos y electrónicos marcados con este símbolo no pueden desecharse en vertederos.
De conformidad con la Directiva 2002/96/ CE, los usuarios de la Unión Europea de aparatos eléctricos y electrónicos, tienen la oportunidad de retornar el instrumento para su eliminación al distribuidor o fabricante del equipo después de la compra de uno nuevo. La eliminación ilegal de aparatos eléctricos y electrónicos es castigada con multa administrativa.

Nota importante para los aparatos electrónicos vendidos en Francia
Important note for electronic devices sold in France
Remarque importante pour les appareils électroniques vendus en France

Informations sur la protection du milieu environnemental et élimination des déchets électroniques :



Les appareils électriques et électroniques portant ce symbole ne peuvent pas être jetés dans les décharges.
En réponse à la réglementation, Labbox remplit ses obligations relatives à la fin de vie des équipements électriques de laboratoire qu'il met sur le marché en finançant la filière de recyclage de Récyllum dédiée aux DEEE Pro qui les reprend gratuitement (plus d'informations sur www.recyclum.com).
L'élimination illégale d'appareils électriques et électroniques est punie d'amende administrative.



www.labbox.com