

**tuncmatik**  
**DIGITECH PRO**  
**650/850/1000/1600/2200 VA**  
**LINE-INTERACTIVE UPS**



Audible alarms that are activated when line-interactive UPSs are in battery mode can be silenced with the smart button of the Digitech Pro.

**Modern and elegant look**

Today's computer users not only want a working UPS, but also a device that looks pretty cool. The indicator of the Digitech Pro is unique because of its upward facing design. If you think that 90% of the UPSs are on the ground or under the table, Digitech Pro users can see the indicator without leaning to the ground.

**Multi-functional LCD display**

Digitech Pro by its distinctive LCD display provides the user with; visually presents information such as input/output voltage, load level, battery level and overload.

**Secure CPU control**

To perform all its functions accurately and on time, Digitech Pro is equipped with a high-speed CPU. High speed CPU, safe operation of UPS; manages overload, under voltage and over voltage protections. It also provides protection against low and high voltage.

**Overload, low/high voltage and short circuit protection**

Thanks to the many electronic protection features of Digitech Pro, its useful life is extended. For instance; If you accidentally overload your Digitech Pro, it will automatically detect the load and protect itself by turning itself off without causing any damage to the UPS. It also provides protection against low and high voltage.

**Automatic Voltage Regulation function (AVR)**

Digitech Pro also acts as a voltage regulator thanks to its wide voltage range transformer. If the voltage from the mains is too high or low, it brings the voltage to the optimum level and provides the most suitable voltage for the loads it is connected to.

**Ability to charge when closed**

To charge the batteries, simply plug the Digitech Pro into the socket.

**Auto restart when mains return**

When the power is cut, if the Digitech Pro shuts down by depleting its battery, when the power comes back on, it automatically restarts and starts charging its batteries.

**Cold Start feature**

Digitech Pro can be operated directly from batteries even when there is no mains electricity.

**Simulated sine output**

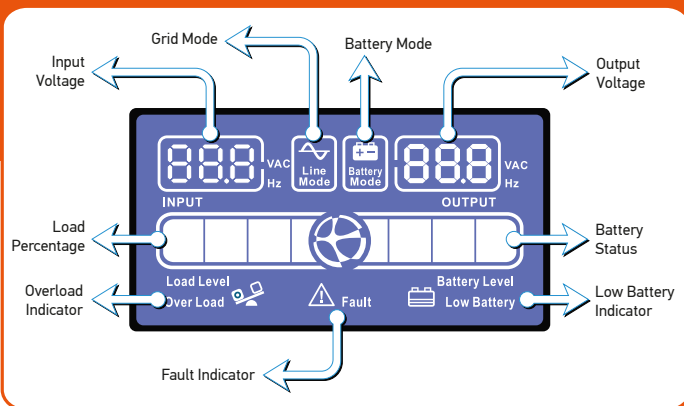
Digitech Pro generates simulated sine, suitable for computers and electronic devices.

**Fast charger that shortens charging time by 50%**

While many UPS can charge their batteries in only 8-10 hours, Digitech Pro fills its batteries in about 4 hours, providing safe use in areas where power cuts are common.

**USB communication port and software (1000 VA)**

You can connect to Digitech Pro via your computer via the USB port with the help of software(download from [www.tuncmatik.com](http://www.tuncmatik.com)) and USB cable, get information about its current status and program how it will behave in case of electricity cut off. According to this program, when the mains power is cut off, according to your choice Digitech Pro sequentially first turns off your computer and then itself.



**Digitech Pro LCD Display**

Digitech Pro immediately attracts attention with its elegant design and user-friendly advanced LCD display. Thanks to the multi-functional easy-to-read LCD display; warnings such as input/output voltage value, battery capacity and load level can be easily monitored.



# tuncmatik DIGITECH PRO

650/850/1000/  
1600/2200 VA

LINE-INTERACTIVE UPS



CAPACITY	650 VA 360 W	850 VA 480 W	1000 VA 600 W	1600 VA 960 W	2200 VA 1320 W
<b>INPUT</b>					
Input Voltage	220 / 230 / 240 VAC				
Input Voltage Range	162-265 VAC				
Frequency	50 / 60 Hz ± %10				
<b>OUTPUT</b>					
Output Voltage	220 VAC				
Output Voltage Range	± %10				
Frequency Range (Synchronous mode)	50 / 60 Hz ± %4				
Frequency Range (Battery mode)	50 ± 0.25 Hz - 60 ± 0.3 Hz				
Transfer time	2 - 6 msn, 10 msn maxs.				
Waveform	Simulated sine				
<b>BATTERY</b>					
Type & quantity	12V 7Ah x 1	12V 9Ah x 1	12V 7Ah x 2	12V 9Ah x 2	
Charge time	%90 up to capacity 4-6 hours				
Charge voltage	14.0 VDC		27.0 VDC		
Charge current	1.0 A				
<b>INDICATORS</b>					
LED Display	Mains operation, Battery operation, Error status				
Alarm	Battery mode, Low Battery, Overload, Error				
<b>DIMENSIONS &amp; WEIGHT</b>					
D x W x H (mm)	321 x 123.5 x 163.5		392 x 177 x 211		
Weight (kg)	4.4	5.1	8.4	10.7	11.45
<b>ENVIRONMENTAL</b>					
Working temperature	0-40 °C				
Humidity	%20-90 relative humidity (non-condensing)				
Noise level	< 40 dBA				
<b>SOFTWARE &amp; MANAGEMENT</b>					
USB communication port	Windows® 98/2000/2003/XP/Vista/2008, Windows® 7/8, Linux, MAC				
RJ45 protection port	(RJ11) Phone protection		(RJ45) Network - Modem protection		

**DIGITECH PRO  
650 VA**

KAPASİTE / CAPACITY

**1**  
PC

**10**  
dk/min  
yaklaşık / appr.

**DIGITECH PRO  
850 VA**

KAPASİTE / CAPACITY

**1** **1**  
PC PRINTER

**10**  
dk/min  
yaklaşık / appr.

**DIGITECH PRO  
1000 VA**

KAPASİTE / CAPACITY

**2**  
PC

**15**  
dk/min  
yaklaşık / appr.

**DIGITECH PRO  
1600 VA**

KAPASİTE / CAPACITY

**3** **1**  
PC PRINTER

**10**  
dk/min  
yaklaşık / appr.

**DIGITECH PRO  
2200 VA**

KAPASİTE / CAPACITY

**4** **1**  
PC PRINTER

**7**  
dk/min  
yaklaşık / appr.

DIGITECH PRO 650: 1 x 12V/7Ah battery  
DIGITECH PRO 850: 1 x 12V/9Ah battery  
2 grounded socket outlet  
Auto insurance

2 x 12V/7Ah battery  
4 grounded socket outlet  
Auto insurance

2 x 12V/7Ah battery  
4 grounded socket outlet  
Auto insurance

