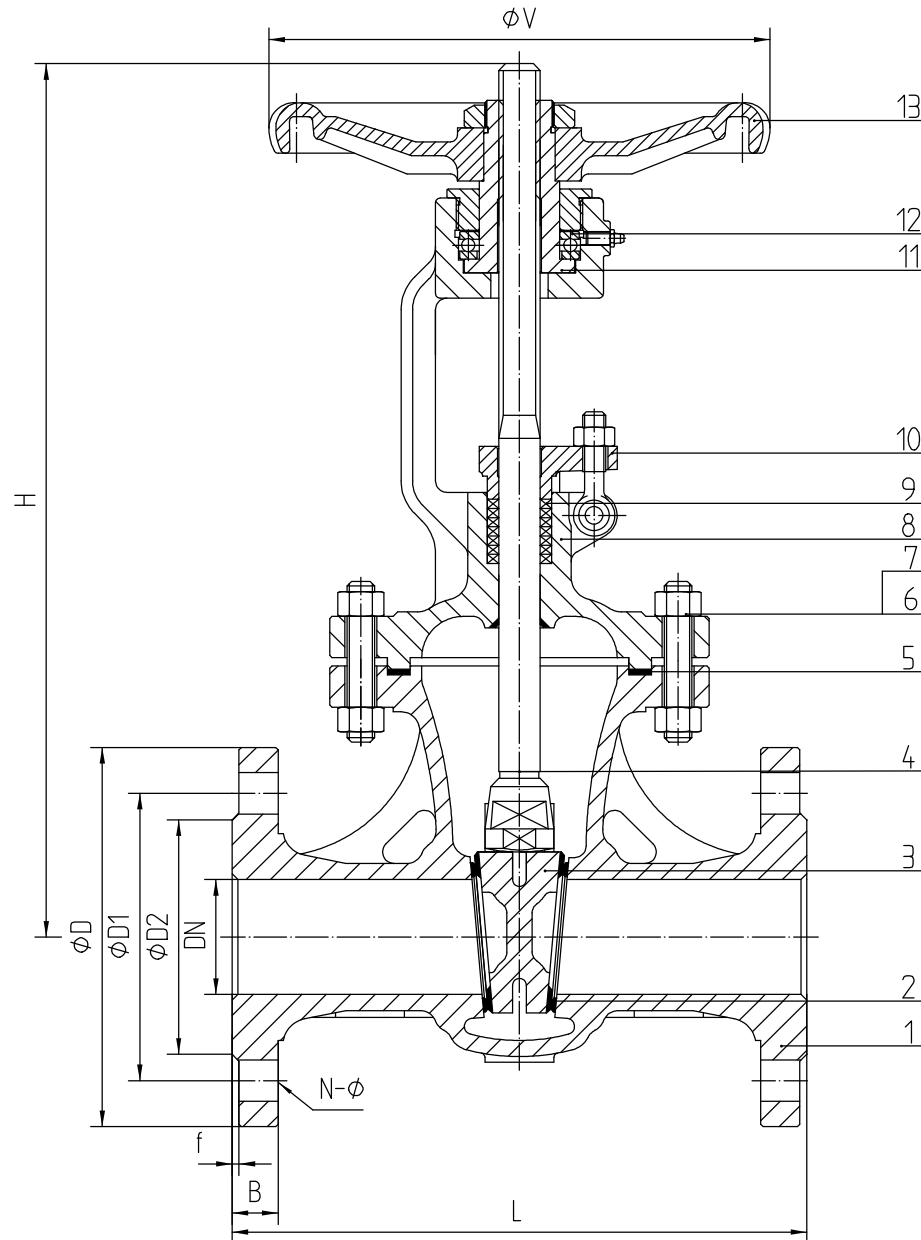


Pressure-Temperature Ratings

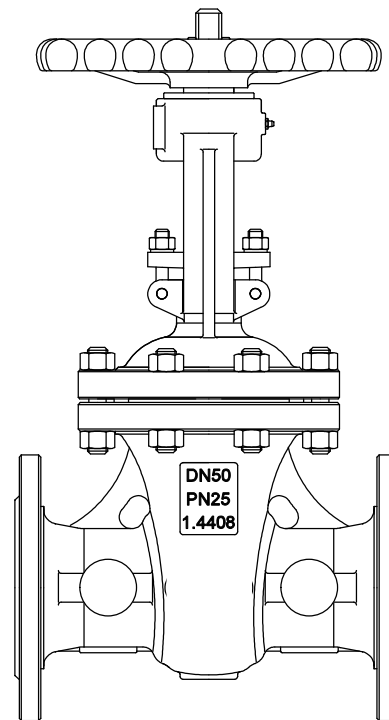
Nom Pressure PN	Material	Working Pressure At Temperatures °C								
		100°C	150°C	200°C	250°C	300°C	350°C	400°C	450°C	500°C
PN25	1.4408	25.0 Bar	22.7 Bar	21.0 Bar	19.8 Bar	18.5 Bar	17.8 Bar	17.1 Bar	16.8 Bar	16.5 Bar



Application

- » Hot-water heating systems DIN 4751
- » High temperature hot-water heating systems DIN 4752
- » Heat transfer systems DIN 4754
- » Other fluids on request

DN	L	PN25 Main Dimension <mm>								
		D	D1	D2	B	f	N-φ	H	φV	
50	250	165	125	102	20	3	4x18	385	200	



13	Handwheel	EN 1563 EN GJS 400-18	
12	Bearing	Alloy Steel	
11	Stem Nut	Cu-Alloy	
10	Gland	EN 10213 14308	
9	Packing	Graphite	
8	Bonnet	EN 10213 14408	
7	Bolts	ASTM A193 B8	
6	Hexagon Nut	ASTM A194 8	
5	Gasket	SS316+Graphite	
4	Stem	EN 10088-3 1.4401	
3	Wedge+Seat Surface	EN 10213 14408	
2	Seat Surface	Integral 14408	
1	Body	EN 10213 14408	
NO	PART NAME	MATERIAL	REMARKS

DIN & EN Rising Stem Gate Valves PN25

Design and Manufacture	BS EN 1984
Face to Face Dimensions	BS EN 558-1 Series 15
Flange Ends Dimensions	BS EN 1092-B1
Pressure Test	BS EN 12266