



Digital Micrometer IP65

Item number: 293-250-30

Images



Dust- and
Water-
Protected

www.tuv.com
ID 0000040191

Description

This IP65 micrometer offers outstanding accuracy, with data output, is highly robust and offers the following benefits:

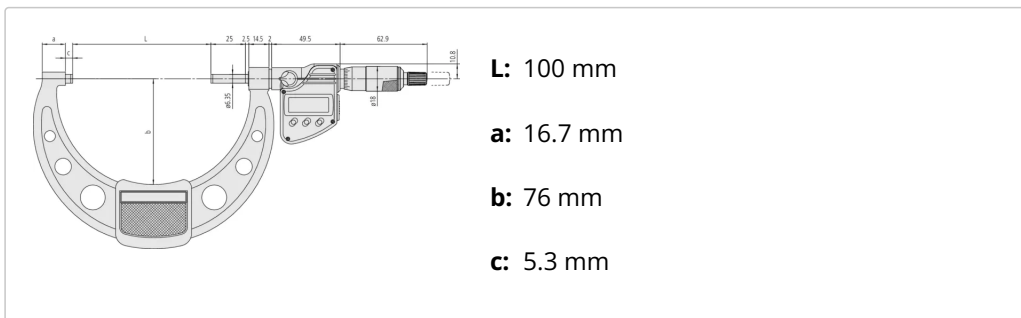
- Oil-resistant material used for all plastic parts
- Extraordinary battery life of 2,4 years
- Excellent resistance against water and dust enables this micrometer to be used in machining situations that include splashing coolant fluid.

Features

| | |
|--------------------------------------|---|
| Model: | MDC-125MX |
| Digital/Analog: | Digital |
| Delivered: | Including box, spanner, SR44 battery, setting standard |
| Inch-Metric: | Metric |
| Range: | 100 - 125 mm |
| Digital step: | 0.001 mm |
| Max. Permissible Error J MPE: | $\pm 2 \mu\text{m}$ |
| Flatness: | $0.3 \mu\text{m}$ |
| Parallelism: | $5 \mu\text{m}$ |
| Data output: | Yes |
| Display: | LCD, character height 7.5 mm |
| Measuring face: | Carbide-tipped, micro-lap finish |
| Measuring spindle: | With spindle lock, $\varnothing 6.35 \text{ mm}$, spindle pitch 0.5 mm |
| Scale: | Thimble and sleeve satin chrome finish, |

| | |
|--|--|
| | ø18 mm |
| Measuring force: | 5 - 10 N |
| Power supply: | 1 battery SR-44 |
| Battery life: | Approx. 2.4 years for models ≤100 mm 1.2 years for > 100 mm |
| ABS / INC (INC ZERO): | Yes |
| Auto Power OFF after 20 min. non use: | Yes |
| Low voltage alarm: | Yes |
| Function lock: | Yes |
| HOLD: | Yes |
| 2 x PRESET (over 100 mm): | Yes |
| Mass: | 600 g |

Dimensions



Accessories

Proposed additional product:



Digimatic Cable with Data Button IP Type

1m, Micrometer Type
Art No. 05CZA662
Suggested retail price: 105.00 €*



Digimatic Cable with Data Button IP Type

2m, Micrometer Type
Art No. 05CZA663
Suggested retail price: 107.00 €*



USB Input Tool Direct (Digimatic to USB)

2m Cable, Digimatic/Digimatic 2, with Data Button IP Micrometer Type
Art No. 06AFM380B
Suggested retail price: 141.00 €*



U-WAVE fit, IP67 Type

Wireless Transmitter for
Micrometer/Indicator

Art No. 264-622

Suggested retail price: 185.00 €*



U-WAVE fit, Buzzer Type

Wireless Transmitter for
Micrometer/Indicator

Art No. 264-623

Suggested retail price: 185.00 €*



Connection Unit for IP Caliper, Micrometer

with Data Button for U-WAVE fit, U-WAVE fit
Bluetooth

Art No. 02AZF310

Suggested retail price: 110.00 €*

Optional accessories:

**Digimatic Cable with Data Button IP Type**

1m, Micrometer Type
Art No. 05CZA662
Suggested retail price: 105.00 €*

**Digimatic Cable with Data Button IP Type**

2m, Micrometer Type
Art No. 05CZA663
Suggested retail price: 107.00 €*

**USB Input Tool Direct (Digimatic to USB)**

2m Cable, Digimatic/Digimatic 2, with Data Button IP Micrometer Type
Art No. 06AFM380B
Suggested retail price: 141.00 €*



U-WAVE fit, IP67 Type

Wireless Transmitter for
Micrometer/Indicator

Art No. 264-622

Suggested retail price: 185.00 €*



U-WAVE fit, Buzzer Type

Wireless Transmitter for
Micrometer/Indicator

Art No. 264-623

Suggested retail price: 185.00 €*



U-WAVE fit Bluetooth, IP67 Type

Wireless Transmitter for
Micrometer/Indicator

Art No. 264-626

Suggested retail price: 185.00 €*



U-WAVE fit Bluetooth, Buzzer Type

Wireless Transmitter for
Micrometer/Indicator

Art No. 264-627

Suggested retail price: **185.00 €***

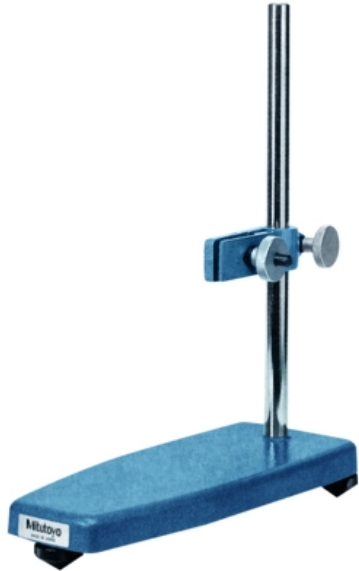


Connection Unit for IP Caliper, Micrometer

with Data Button for U-WAVE fit, U-WAVE fit
Bluetooth

Art No. 02AZF310

Suggested retail price: **110.00 €***



Micrometer Stand

for Micrometer 100-300mm/5-12"

Art No. 156-102

Suggested retail price: **632.00 €***

Standard accessories:



Micrometer Setting Standard

Length: 100mm

Art No. 167-104

Suggested retail price: **38.00 €***

Spare parts

Consumable spares:



Battery SR44 1,5 V

Art No. 938882

Suggested retail price: 10.00 €*
