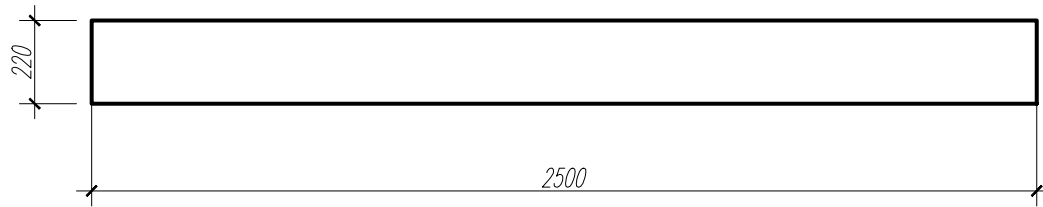
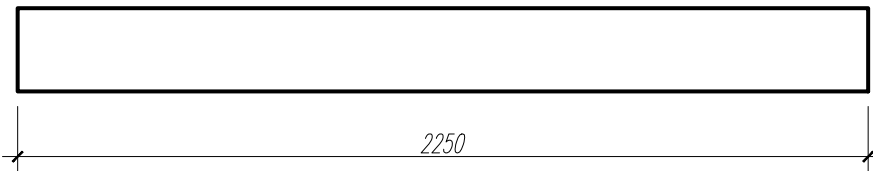


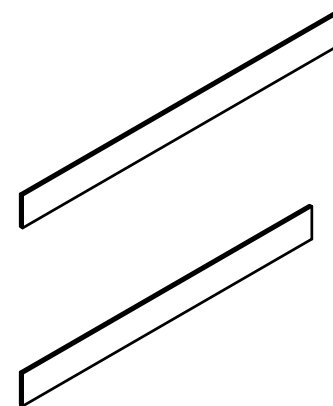
Client: USMF  
**BRIU**



2 buc.

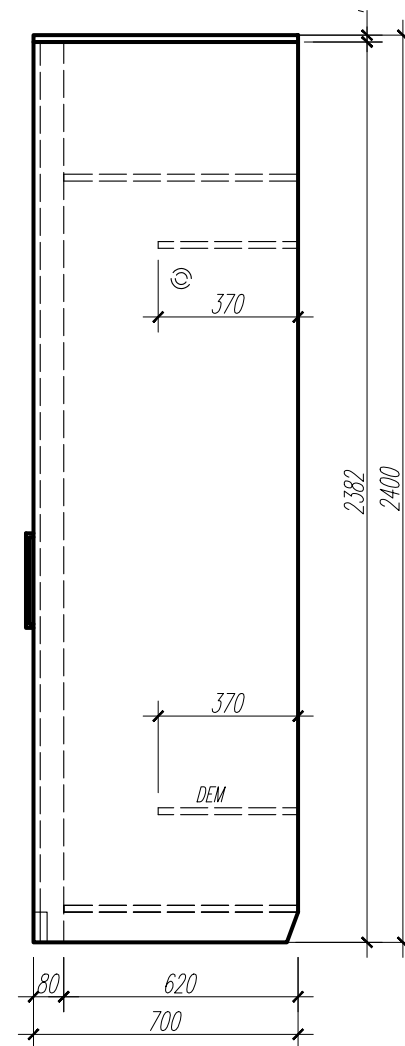
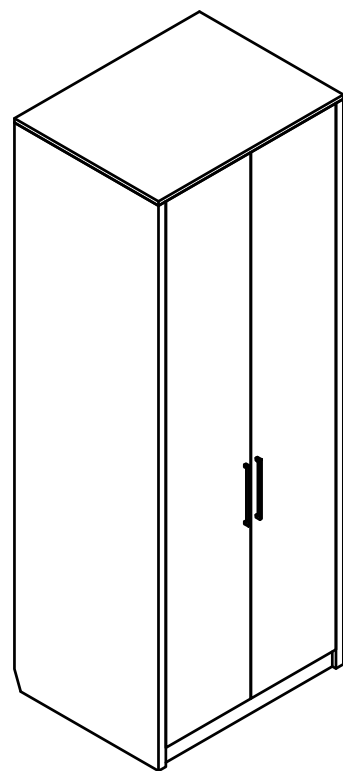
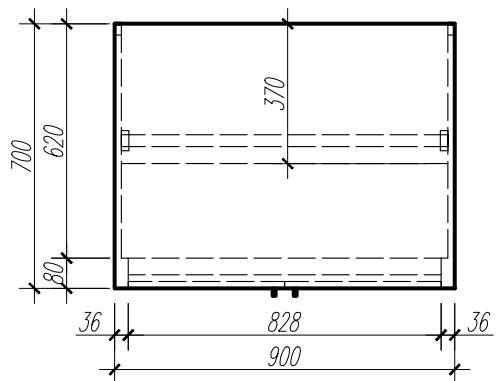
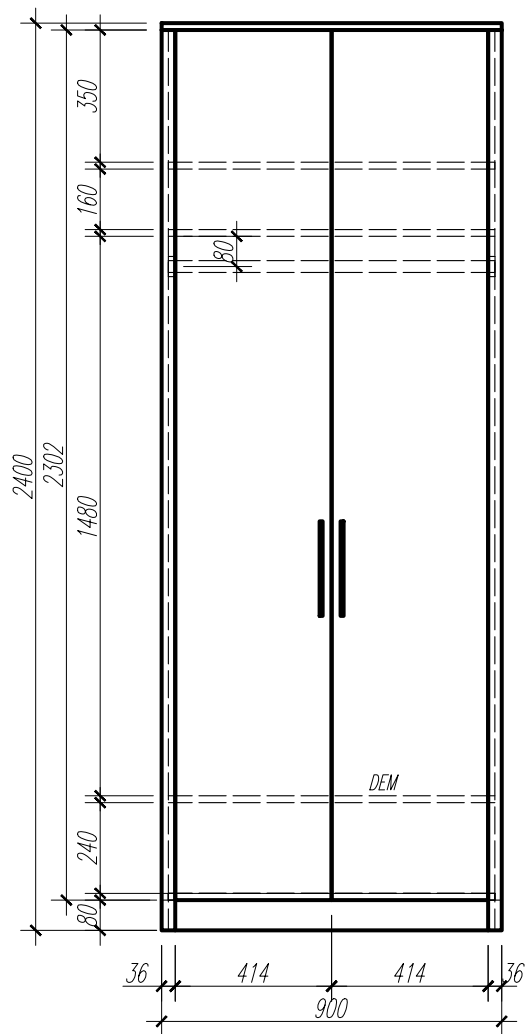


1 buc.

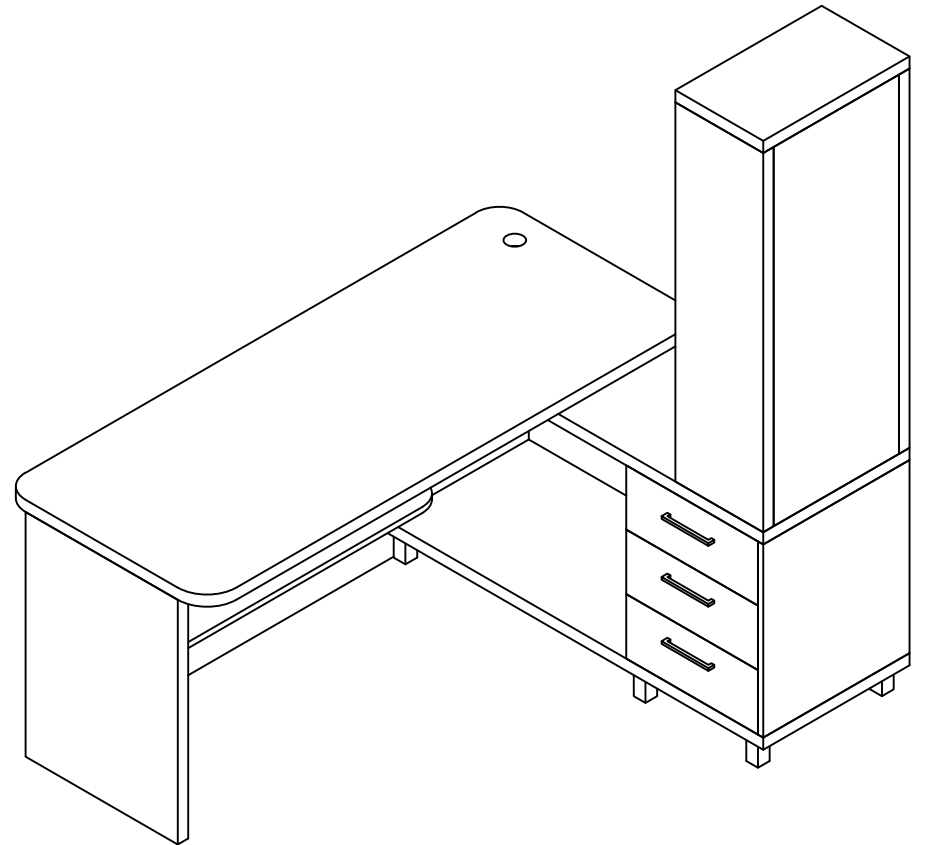
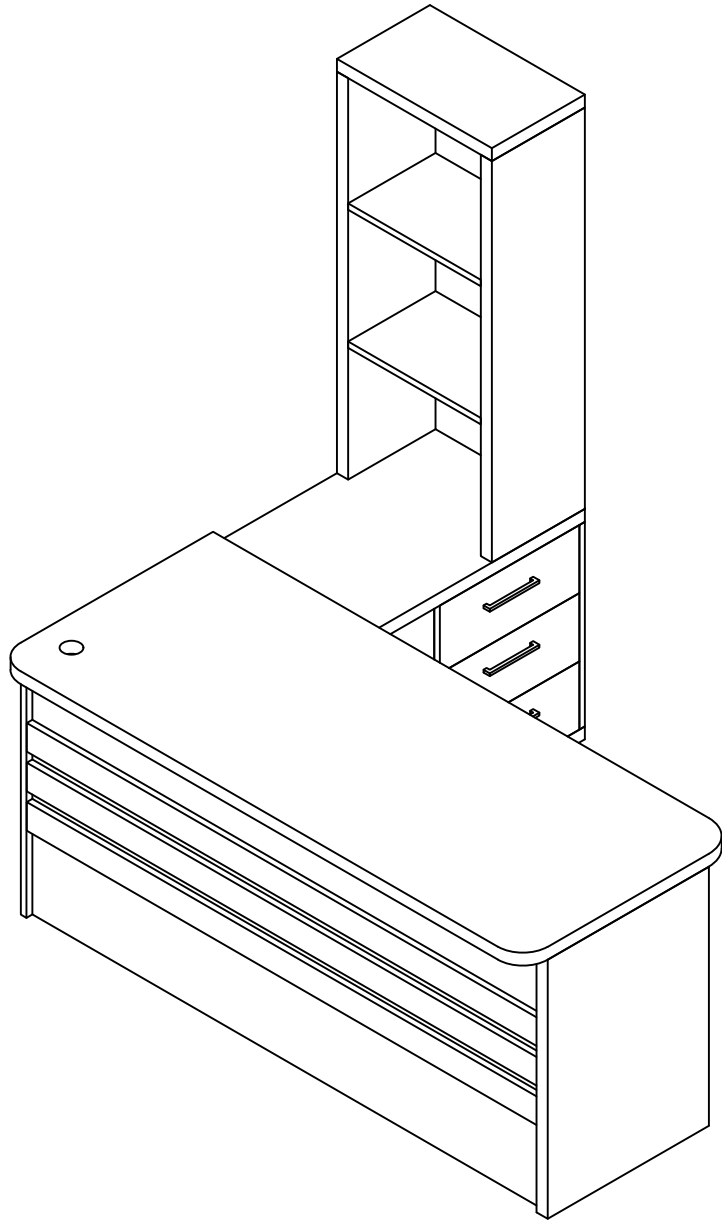




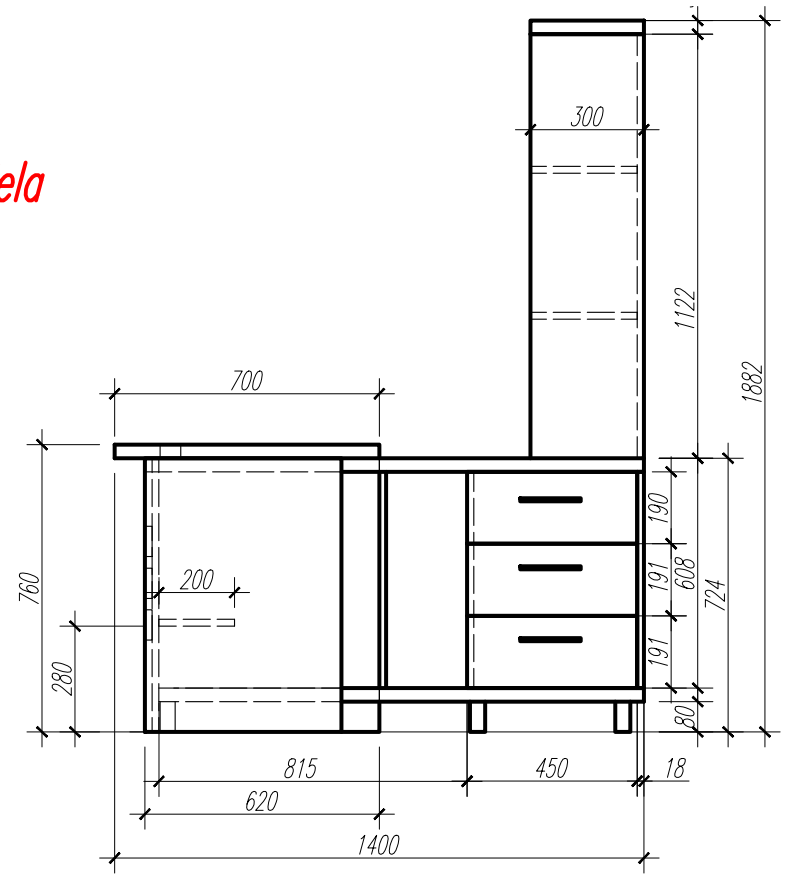
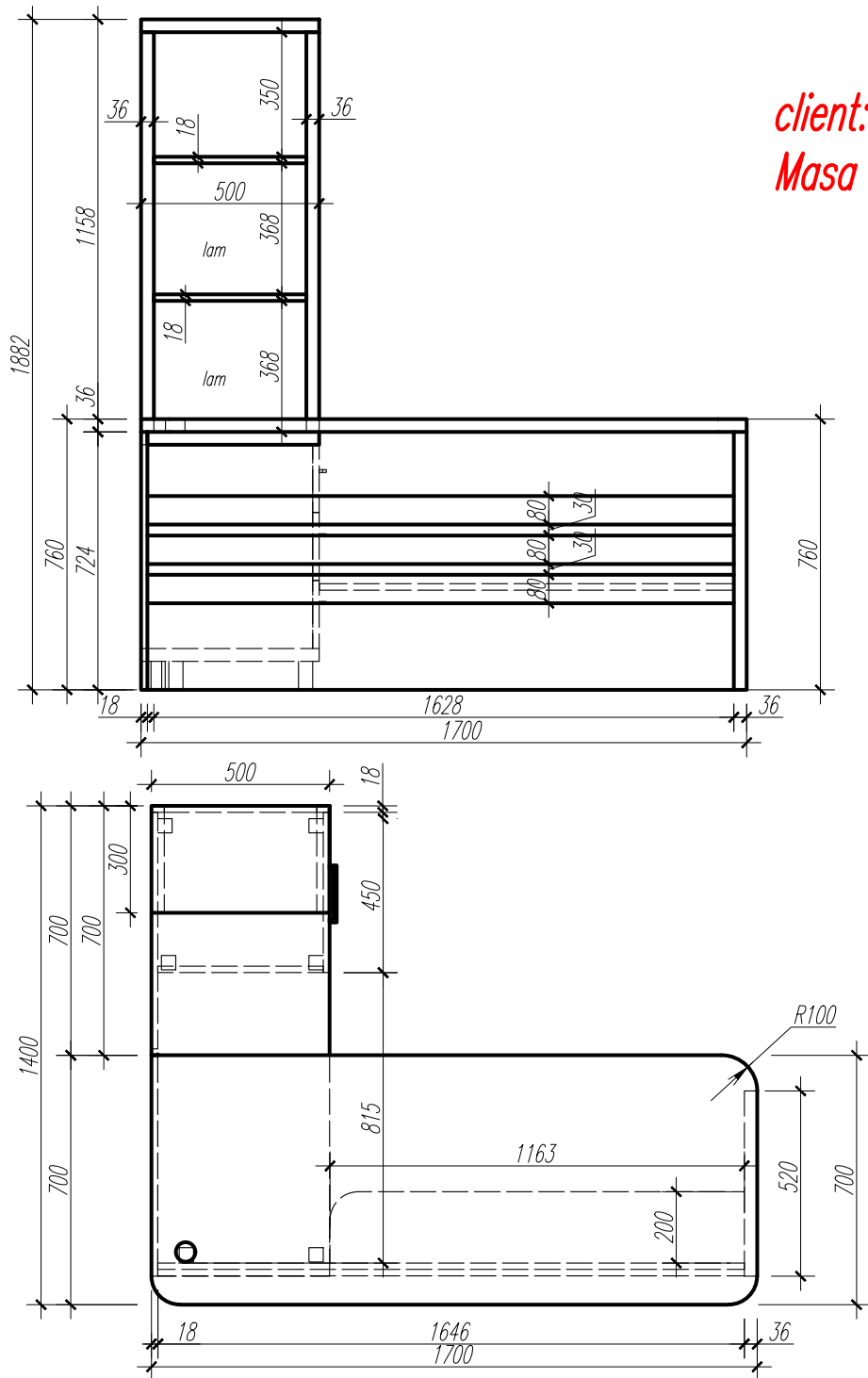
Client: USMF  
Dulap haine-mape



*client: USMF*  
*Masa de birou D.Daniela*

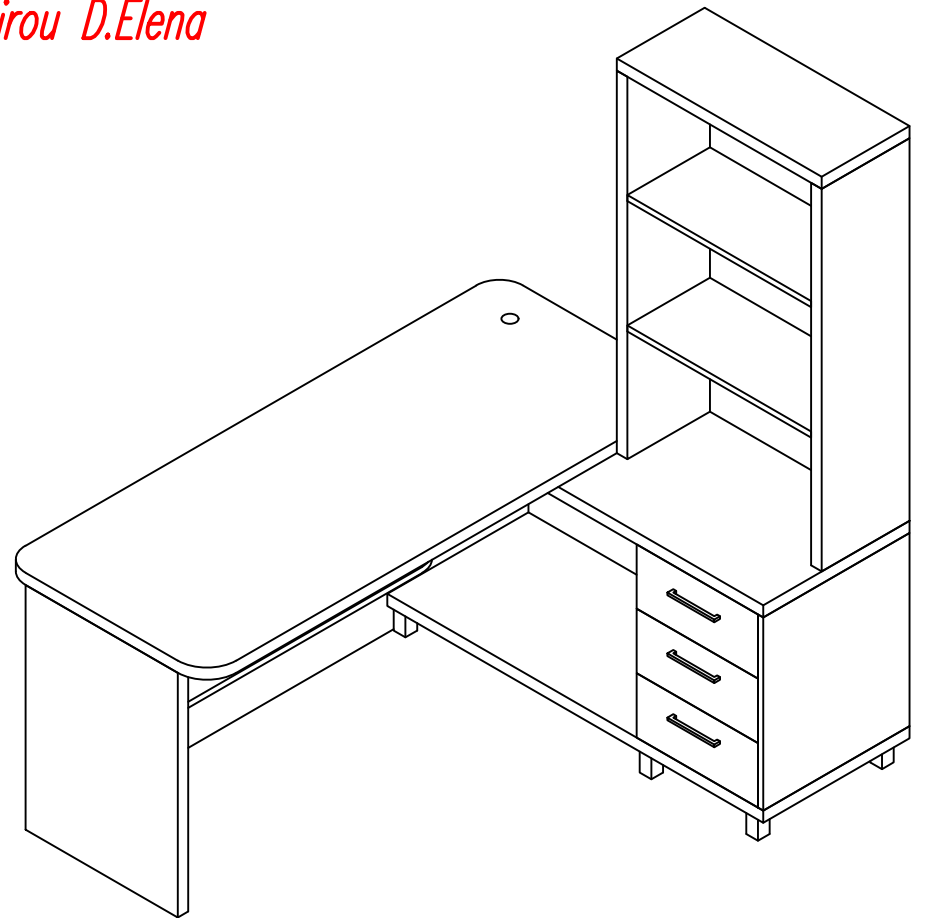
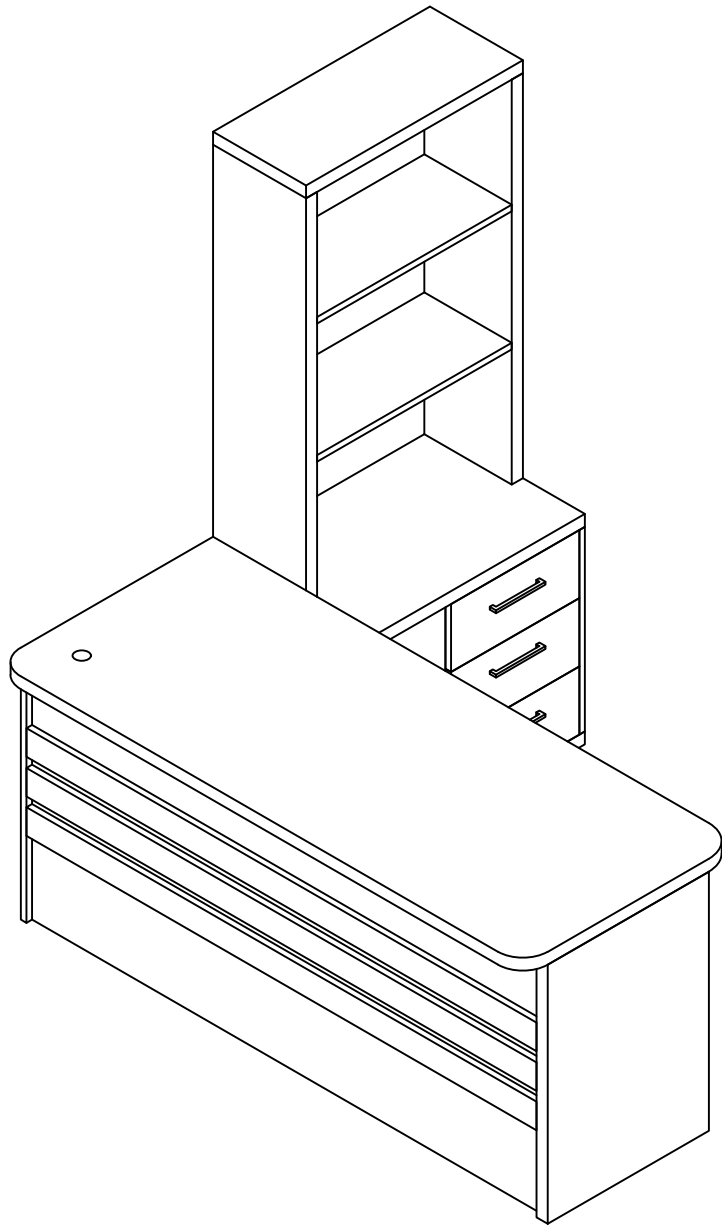


client: USMF  
Masa de birou D.Daniela

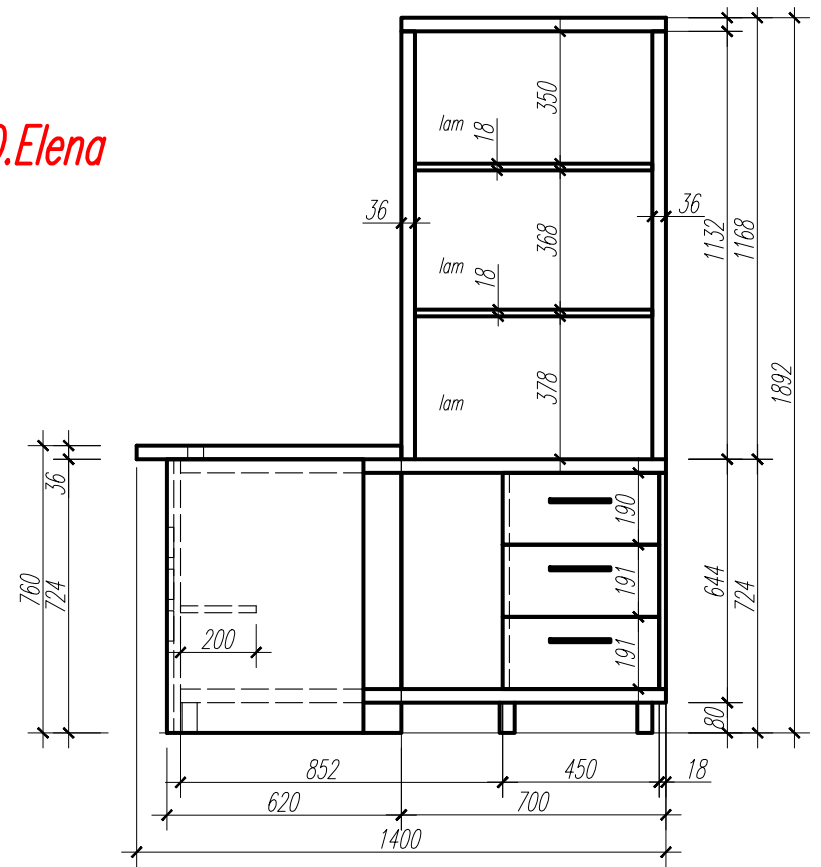
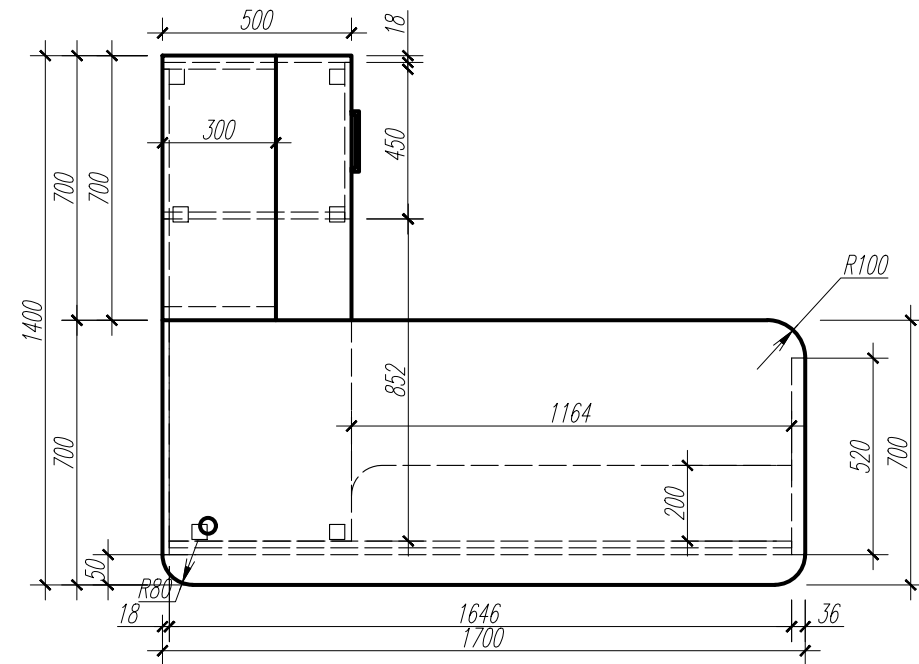
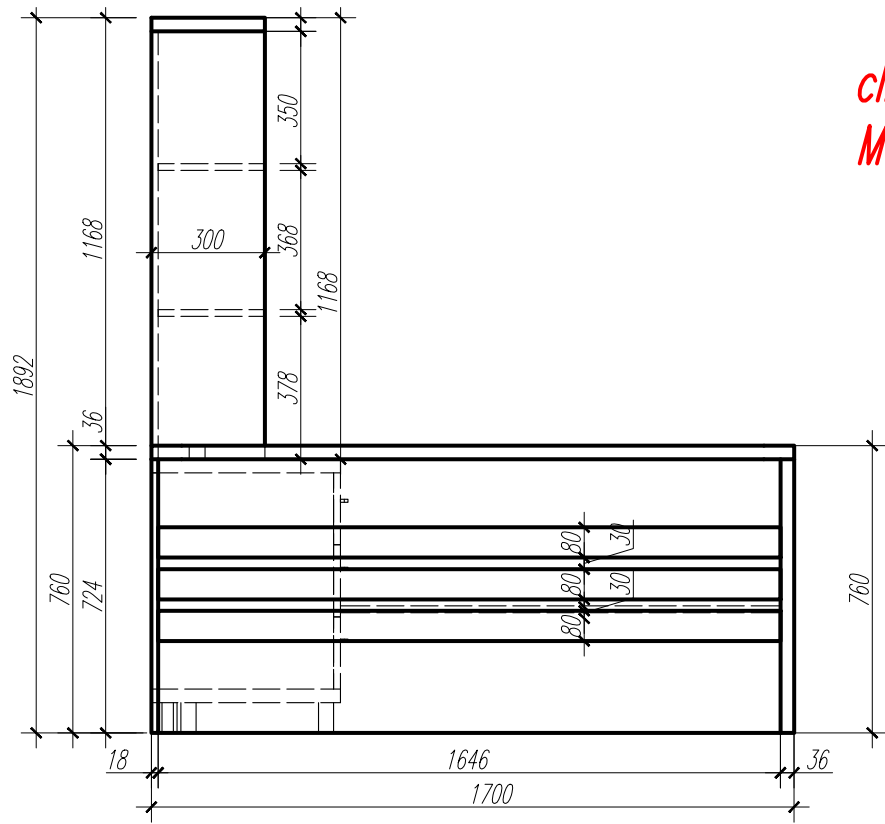


buc.1

*client: USMF*  
*Masa de birou D.Elena*



client: USMF  
Masa de birou D.Elena



buc.1

Client: USMF

Plan bir. d.Elena -d.Daniela

