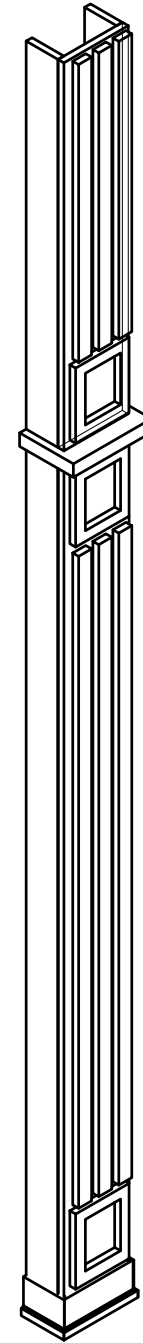
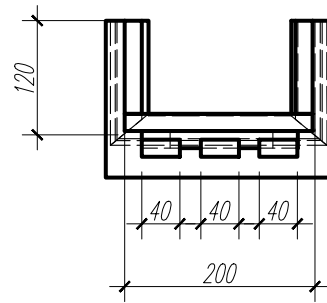
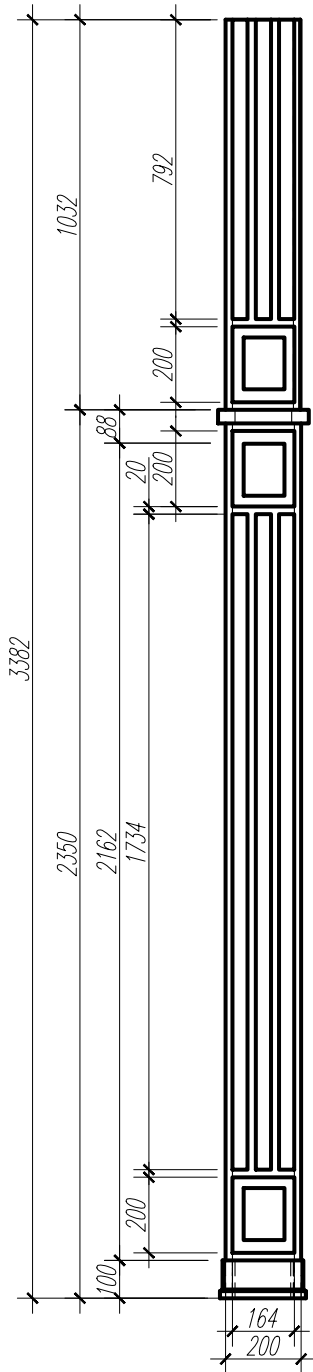
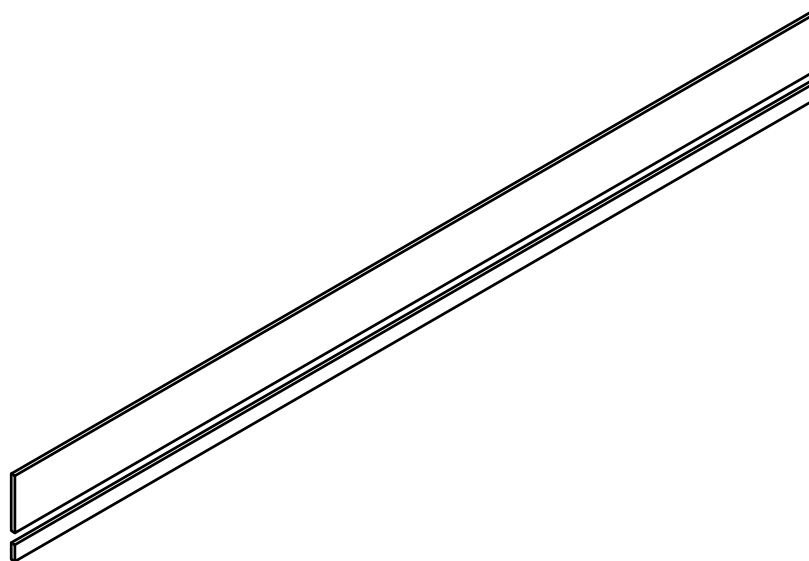
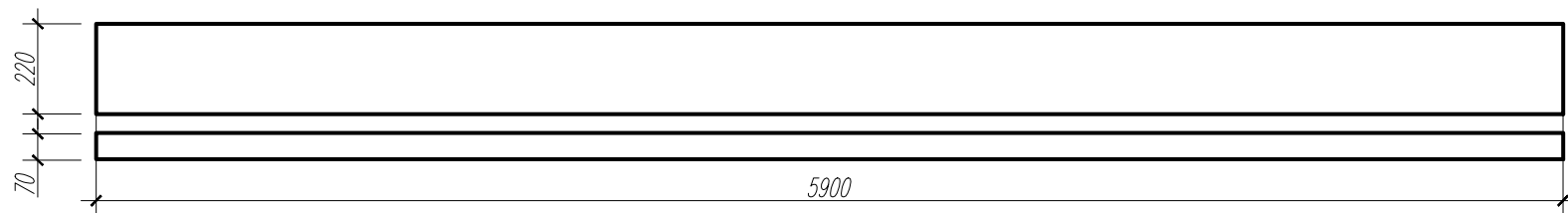


Client: USMF
Acoperire teava

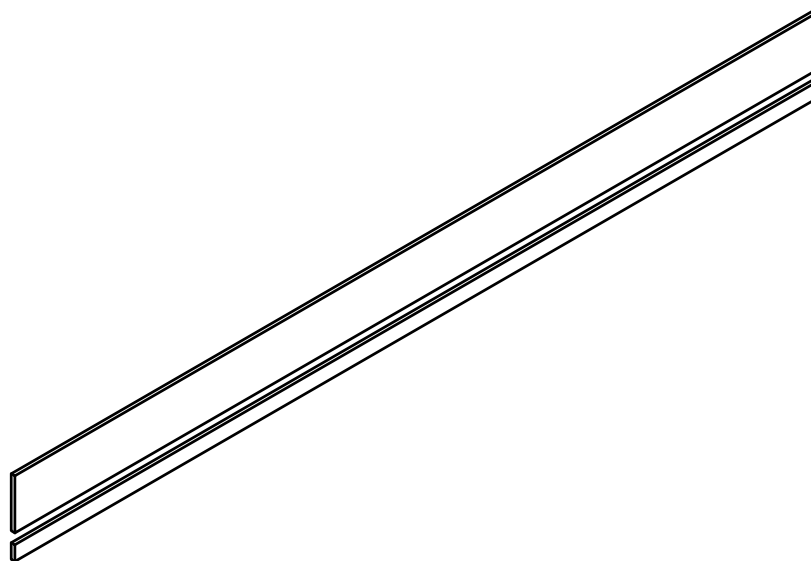
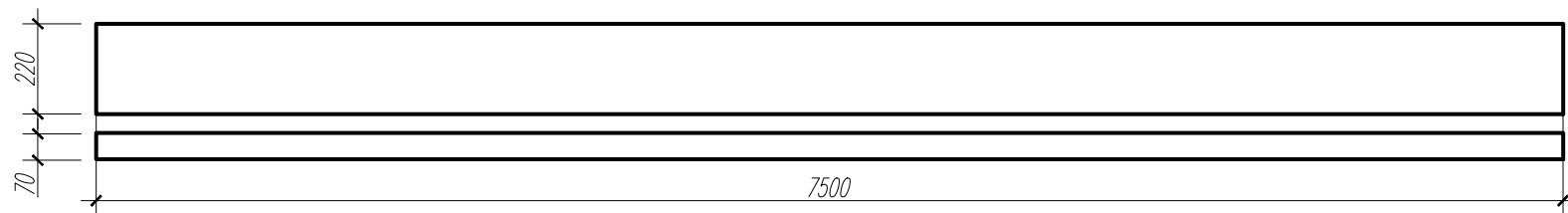


BRIU-1



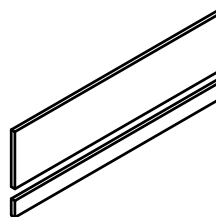
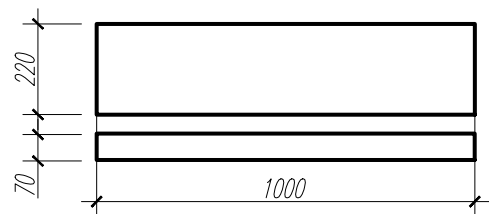
1 buc.

BRIU-2



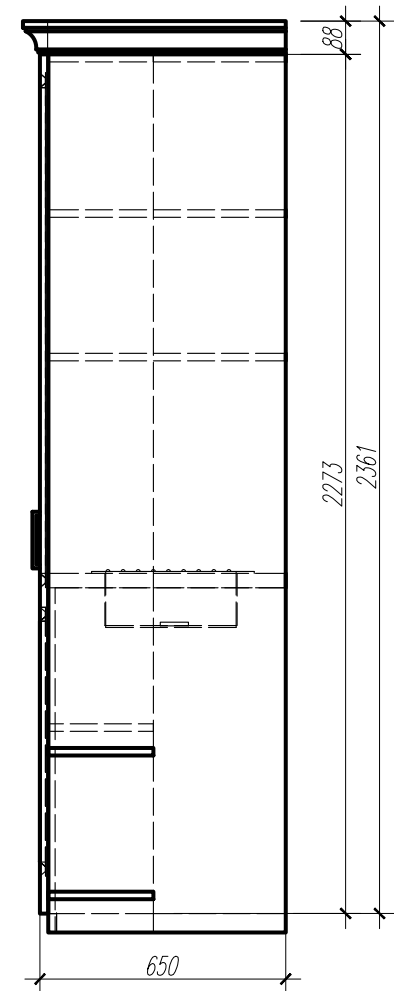
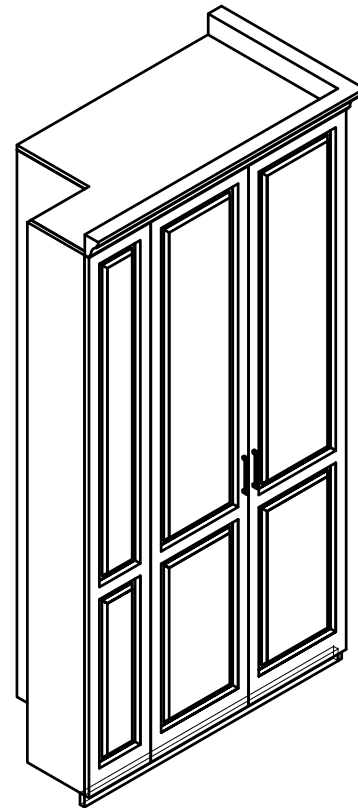
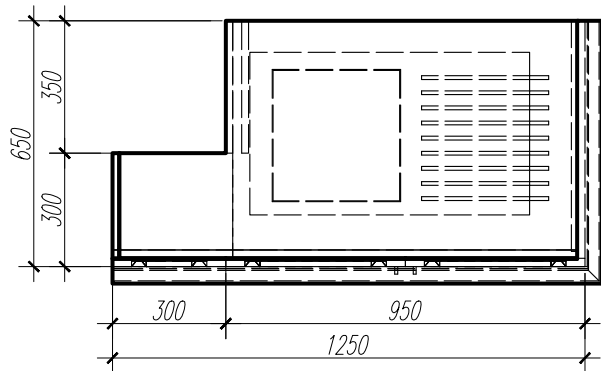
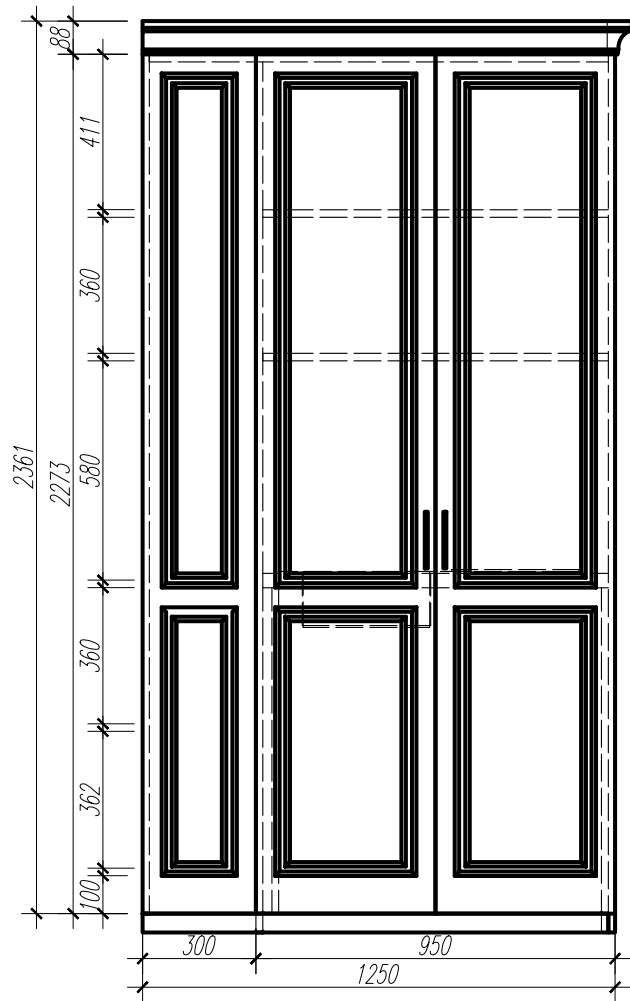
1 buc.

BRIU-3

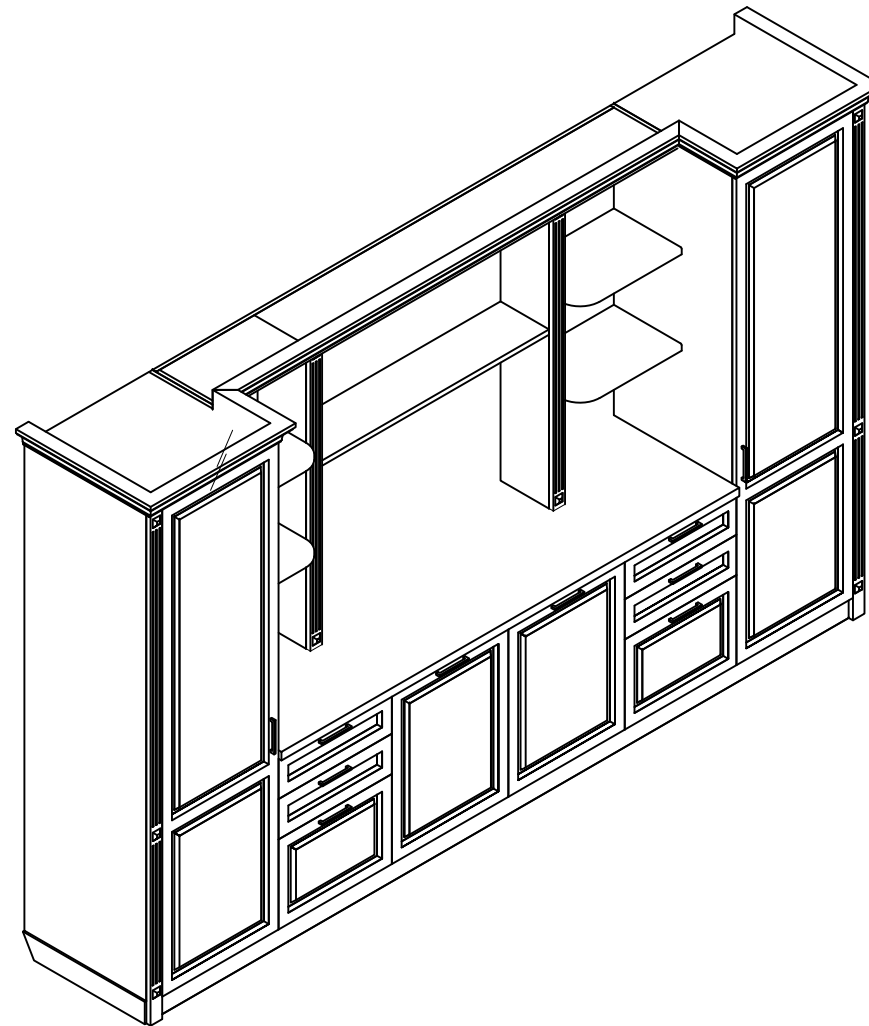


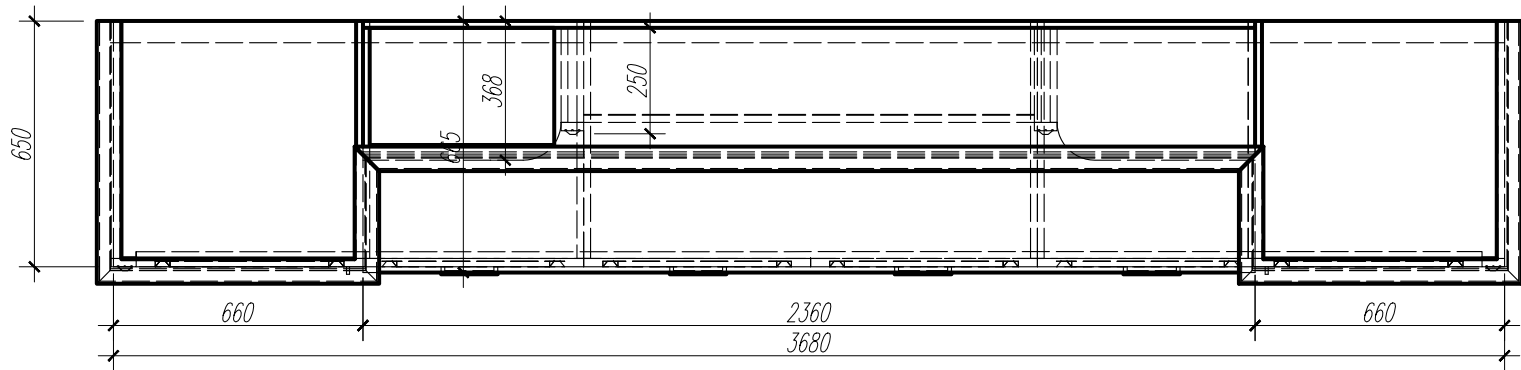
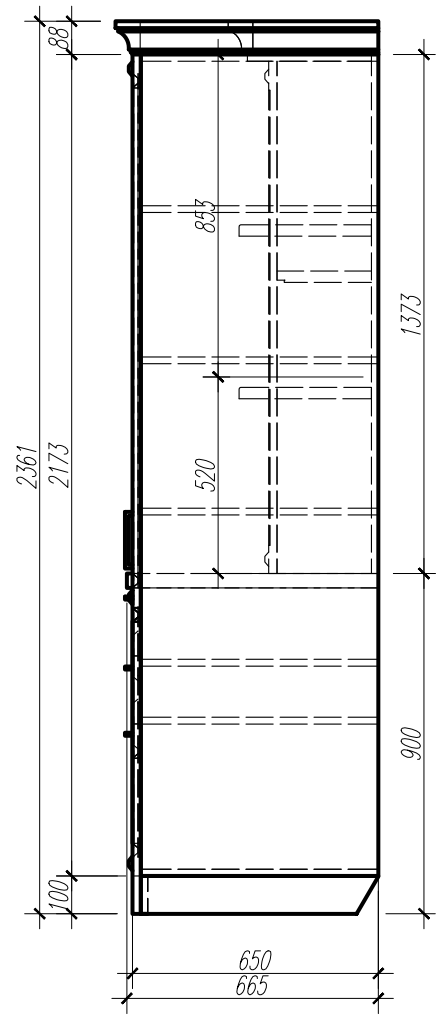
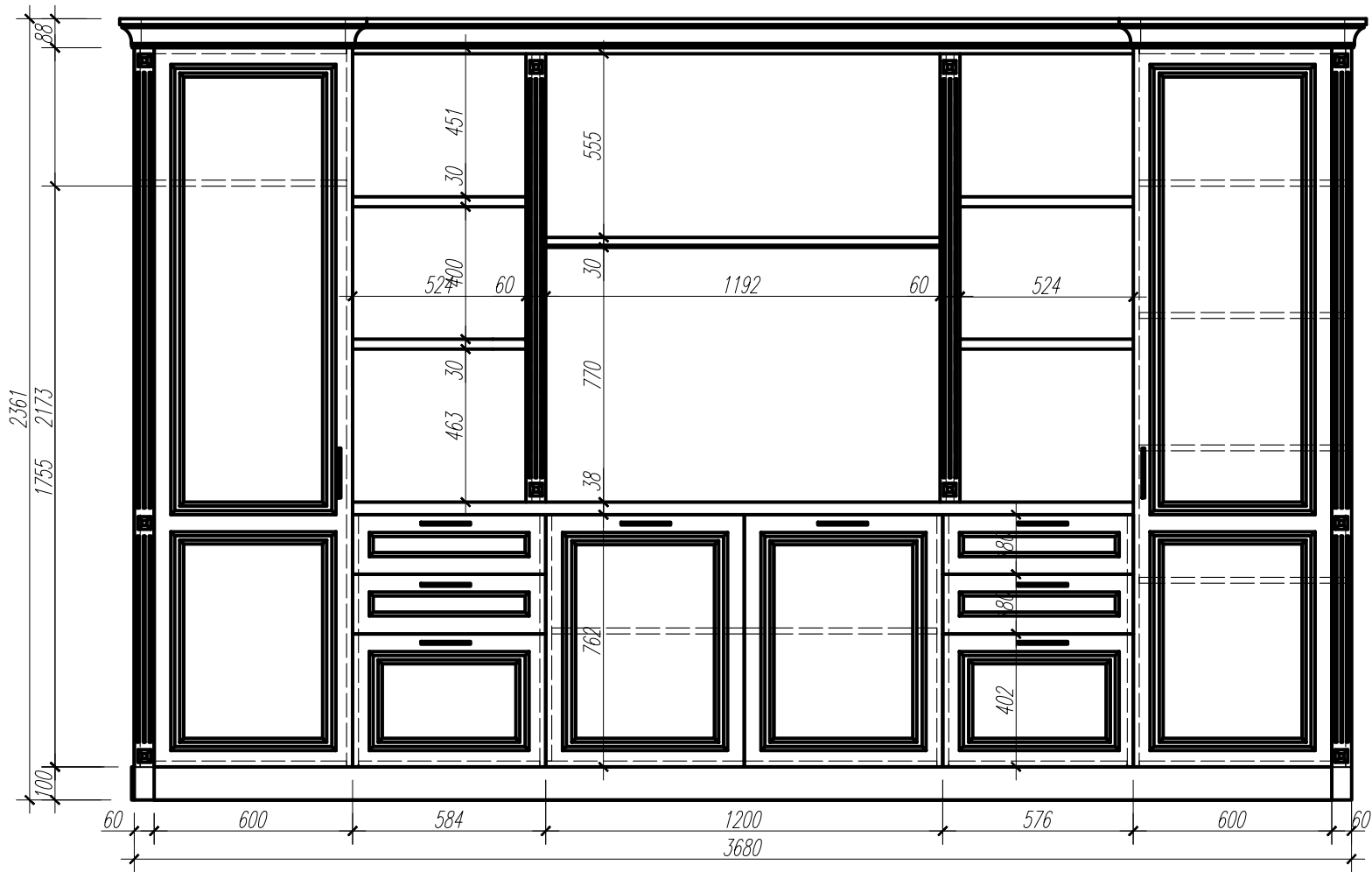
1 buc.

Client: USMF
DULAP



*Client: USMF
Garnitura*

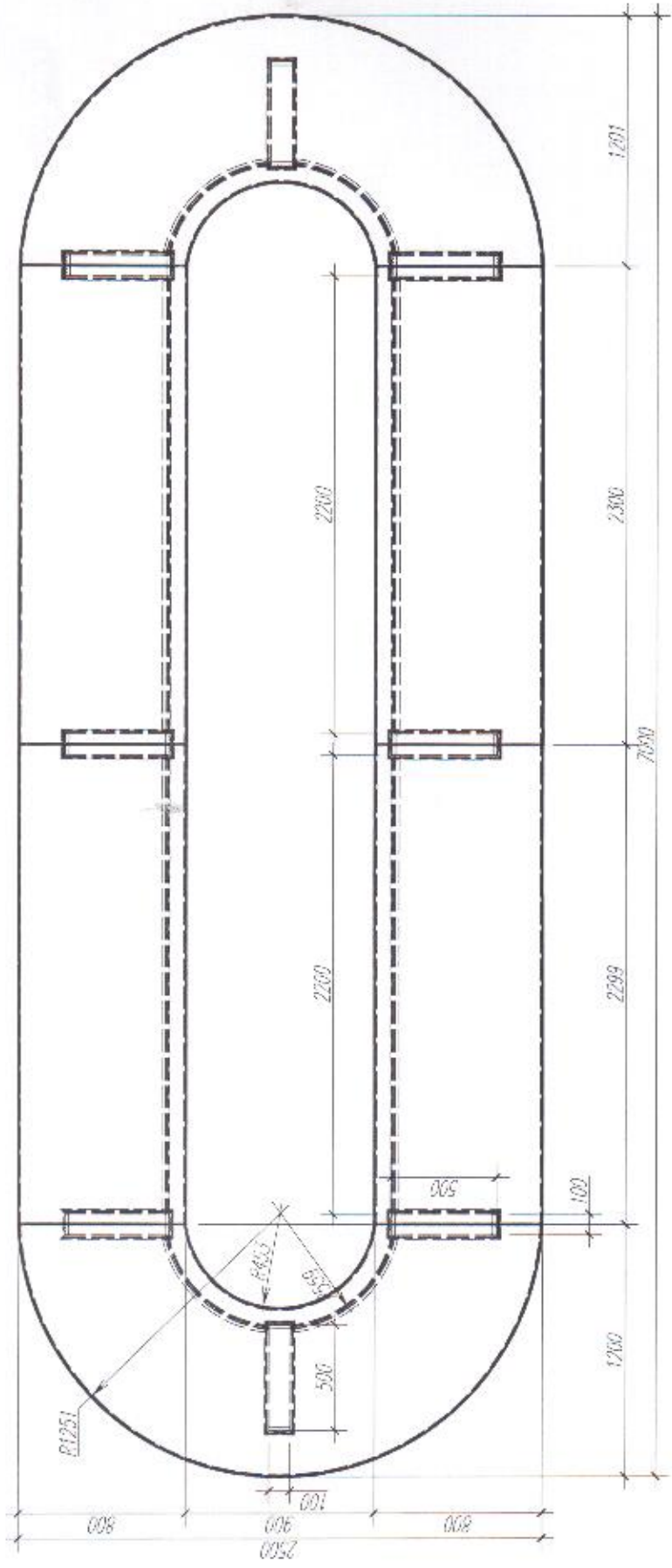
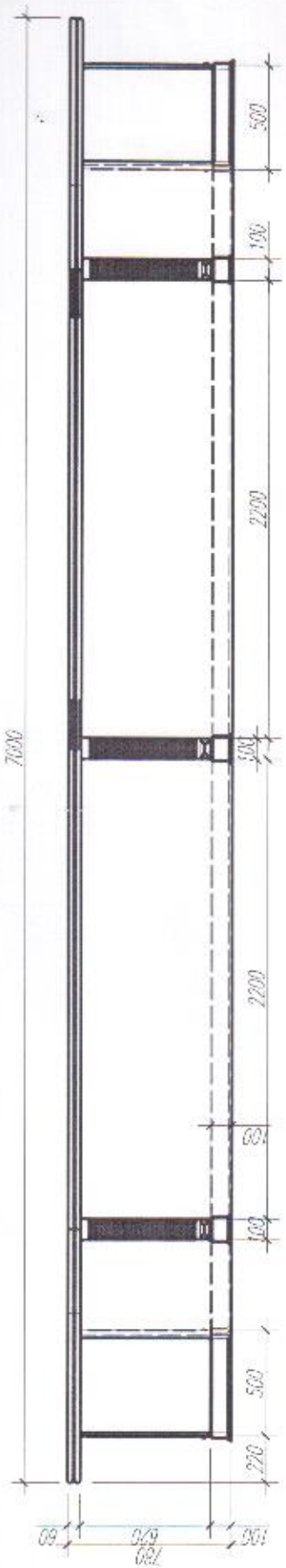




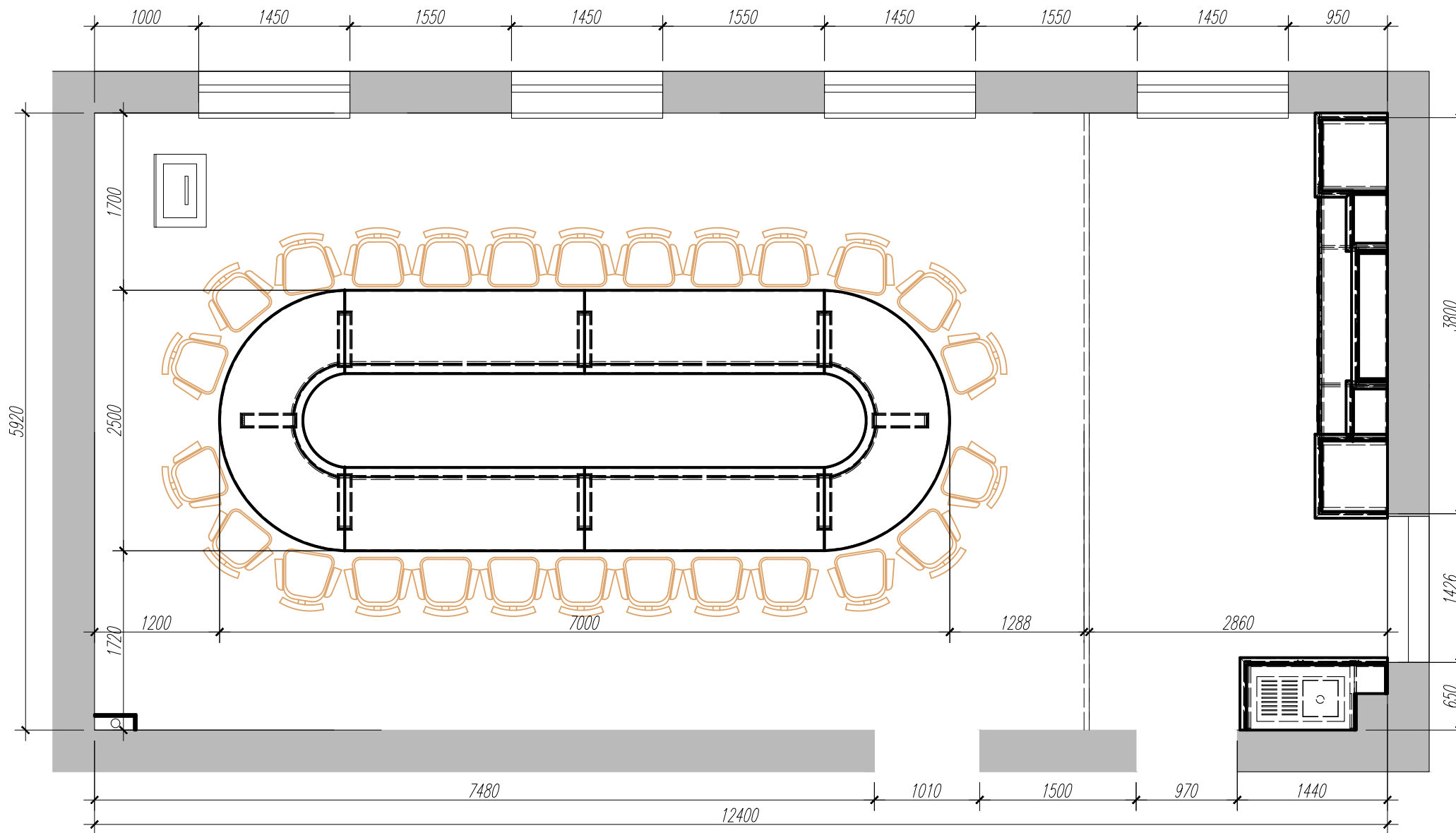
Client: USMF
Garnitura

Client: USMF
Masa conferinta

Handwritten signature



Client: USMF
Sala conferinte



Client: USMF
TRIBUNA

