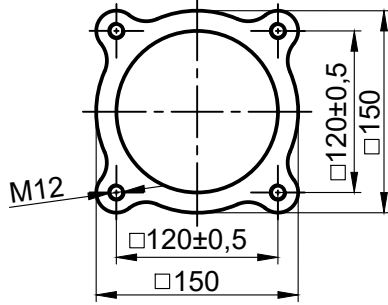
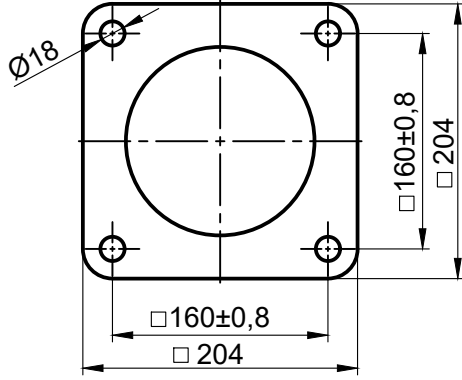


MARK VIEW

ANKARA
SERAMİK
IOS 110-400A-UHL1
MADE IN TÜRKİYE



'X' Bakışı
View 'X'



'Y' Bakışı
View 'Y'

----- Sırsız Yüzey (Unglazed Surface)

ELEKTRİKSEL PERFORMANS

ELECTRICAL PERFORMANCE

Anma ve En Yüksek Çalışma Gerilimi (Nominal-Highest System Voltage)(Un-Um)	110-123 kV
Yaşta Şebeke Frek. Dayanım Gerilimi (Power-Freq. Withstand Voltage, Wet)	230 kV
Yıldırım Darbe Dayanma Gerilimi (Lightning Impulse Withstand Voltage)	550 kV

MEKANİKSEL PERFORMANS

MECHANICAL PERFORMANCE

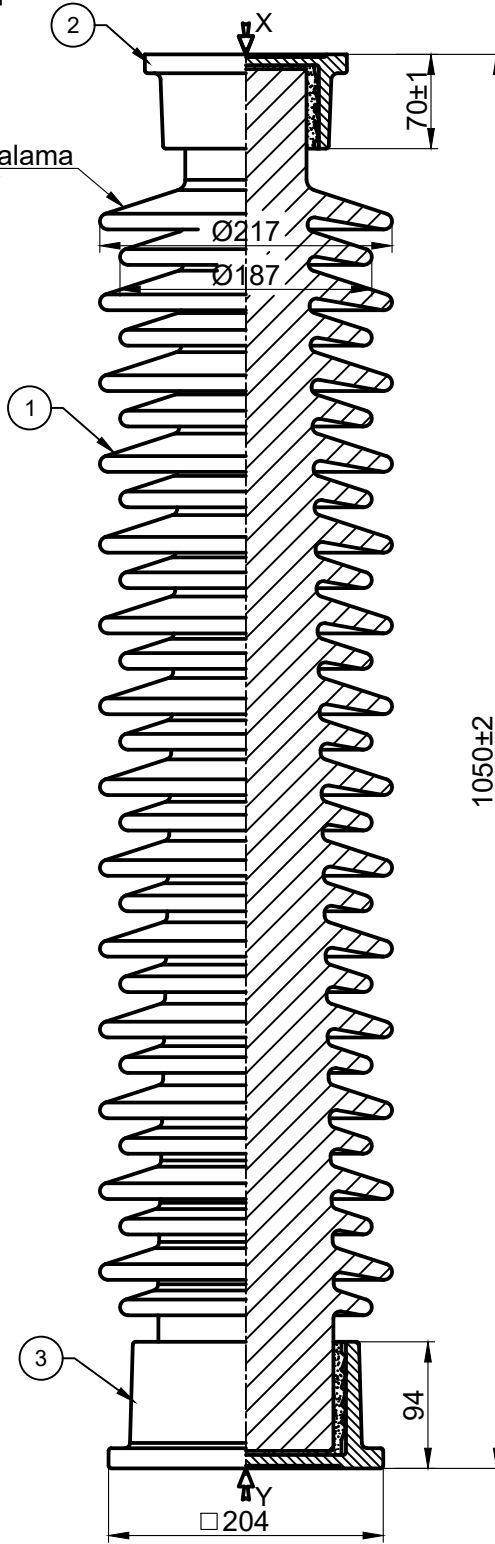
Eğilmede Minimum Kırılma Yüğü (Min. Bending Failing Load)	8 kN
--	------

DIELEKTRİK PARÇALAR

(DIELECTRIC PARTS)

Malzeme (Material) IEC 60672-3	Porselen (Porcelain)
Kaçak Mesafesi (Creepage Distance)	(Z-Z) min. 2900 mm
Sır Rengi (Glaze Color)	Kahverengi (Brown)
Tolerans (General Tolerance)	GOST 13872-68
Ağırlık (Weight)	~ 55 kg

Markalama
Mark



3	710000-940	160-4xØ18 (142x84) H.M. Alt Metal Kep (Bottom Metal Cap)	1	GGG-40 (EN-GJS-400-15) EN ISO 1461 HOT DIP. GALV. (90-100mic.)
2	380000-946	120x120-4xM12 (102x62) Üst Metal Kep (Top Metal Cap)	1	GGG-40 (EN-GJS-400-15) EN ISO 1461 HOT DIP. GALV. (90-100mic.)
1	9-711155-000	Seramik Gövde (Ceramic Body)	1	Porselen (Porcelain)
Poz. (Pos.)	Ürün No (Product No.)	Bileşen Parçaları (Components Parts)	Adet (Pcs.)	Malzeme (Material)

ALL DIMENSIONS ARE IN mm UNLESS OTHERWISE STATED

THIS DRAWING IS NOT TO BE COPIED OR THE INFORMATION HEREIN DIVULGED TO ANY THIRD PARTY OR USED FOR THE MAKING OF APPARATUS WITHOUT THE WRITTEN PERMISSION OF ANKARA SERAMİK A.Ş.



www.ankaseramik.com

PORSELEN SAN. ve TİC. A.Ş.
PORCELAIN INDUSTRY OF TURKEY
1.ORGANİZE SAN.BÖL.OSMANLI CAD.
NO:15 SİNCAN/ANKARA/TURKEY
TEL: (0312) 267 37 77 FAX: (0312) 267 27 77
info@ankaseramik.com

Yayın Tarihi
(Release Date)

08.10.2025

Onay
(Approved By)

İ.ŞAHİN

Kontrol
(Checked)

Ü.ÇAMSARI

Çizen
(Drawn By)

Ü.ÇAMSARI

Malzeme
(Material)

Porselen (Porcelain)-C 110

Std. No.

GOST 25073-81

Rev. No

Ürün no / Müşteri
(Product No / Customer)

9-711155-000

Ölçek
(Scale)

IOS 110-400 II-M UHL1
HARİCİ MESNET İZOLATÖRÜ
OUTDOOR POST INSULATOR