



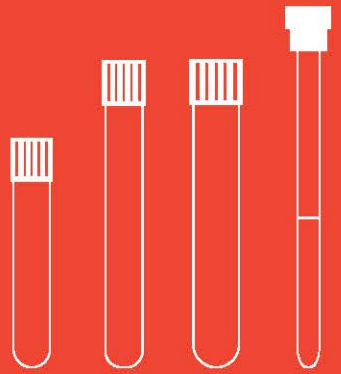
Vacuum • Non-Vacuum • Glass • Pet

BLOOD COLLECTION TUBE

CHANGSHA RENJI MEDICAL EQUIPMENT CO., LTD.

WWW.RENJIGROUP.COM

TABLE OF CONTENTS





K2EDTA

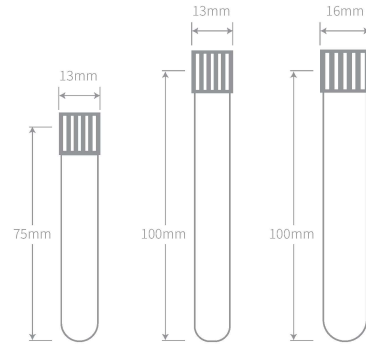
Intended to be used in hematology laboratory for withdrawing Whole blood or EDTA Plasma in order to examine various kinds of blood cells.

Tubes manufactured using transparent PET or Glass. Caps manufactured using polyethylene.

Specimen: whole blood.

After taking blood into the tube it should be mixed by turning 6-8 times. Lack of mixing can also cause platelet aggregation, coagulation or formation of micro clots.

■ In addition, we can provide EDTA blood collection tube with Na₂EDTA as additive. If you need to order, please contact our sales manager.



All tubes are with labels and push caps.

| REF Vacuum | REF Non-Vacuum | Additive | Cap Color | Tube Size (mm) | Draw Volume (ml) | Tube Material | Pack/Carton |
|------------|----------------|----------|-----------|----------------|------------------|---------------|-----------------|
| C102010 | C202010 | K2EDTA | Purple | 13×75 | 1 | PET | 100PCS/1200 PCS |
| C102020 | C202020 | | | | 2 | | |
| C102030 | C202030 | | | | 3 | | |
| C102040 | C202040 | | | | 4 | | |
| C102050 | C202050 | | | 13×100 | 5 | | |
| C102060 | C202060 | | | | 6 | | |
| C102070 | C202070 | | | | 7 | | |
| C102080 | C202080 | | | 16×100 | 8 | | |
| C102090 | C202090 | | | | 9 | | |
| C102100 | C202100 | | | | 10 | | |



K3EDTA

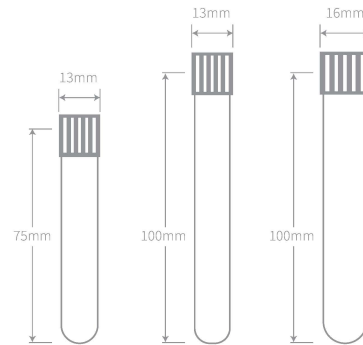
Intended to be used in hematology laboratory for withdrawing Whole blood or EDTA Plasma in order to examine various kinds of blood cells.

Tubes manufactured using transparent PET or Glass.Caps manufactured using polyethylene.

Specimen: whole blood.

After taking blood into the tube it should be mixed by turning 6-8 times. Lack of mixing can also cause platelet aggregation, coagulation or formation of micro clots.

■ In addition, we can provide EDTA blood collection tube with Na₂EDTA as additive. If you need to order, please contact our sales manager.



All tubes are with labels and push caps.

| REF Vacuum | REF Non-Vacuum | Additive | Cap Color | Tube Size (mm) | Draw Volume (ml) | Tube Material | Pack/Carton |
|------------|----------------|----------|-----------|----------------|------------------|---------------|-----------------|
| C103010 | C203010 | K3EDTA | Purple | 13×75 | 1 | PET | 100PCS/1200 PCS |
| C103020 | C203020 | | | | 2 | | |
| C103030 | C203030 | | | | 3 | | |
| C103040 | C203040 | | | | 4 | | |
| C103050 | C203050 | | | 13×100 | 5 | | |
| C103060 | C203060 | | | | 6 | | |
| C103070 | C203070 | | | | 7 | | |
| C103080 | C203080 | | | 16×100 | 8 | | |
| C103090 | C203090 | | | | 9 | | |
| C103100 | C203100 | | | | 10 | | |



Lithium Heparin

Heparin is a natural anticoagulant which presents in any healthy body. Heparin is used to take the plasma and in chemical researches.

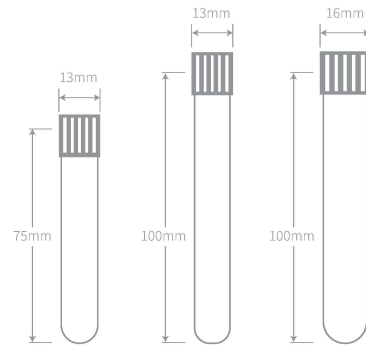
Heparin Blood Collection Tubes are intended to be used for analysis of blood withdrawn from patients under anticoagulant therapy.

The anticoagulant heparin activates antithrombin, thus blocking the coagulation cascade and producing a whole blood / plasma sample making it ideal for the analysis.

Tubes manufactured using transparent PET or Glass. Caps manufactured using polyethylene.

Specimen: heparin plasma.

Conditions of centrifugation: 1300 g for 10 minutes.



All tubes are with labels and push caps.

| REF Vacuum | REF Non-Vacuum | Additive | Cap Color | Tube Size (mm) | Draw Volume (ml) | Tube Material | Pack/Carton |
|------------|----------------|-----------------|-----------|----------------|------------------|---------------|-----------------|
| C106020 | C206020 | Lithium Heparin | Green | 13×75 | 2 | PET | 100PCS/1200 PCS |
| C106030 | C206030 | | | | 3 | | |
| C106040 | C206040 | | | | 4 | | |
| C106050 | C206050 | | | 5 | | | |
| C106060 | C206060 | | | 6 | | | |
| C106070 | C206070 | | | 7 | | | |
| C106080 | C206080 | | | 8 | | | |
| C106090 | C206090 | | | 9 | | | |
| C106100 | C206100 | | | 10 | | | |
| | | | | | | | |



Sodium Heparin

Heparin is a natural anticoagulant which presents in any healthy body. Heparin is used to take the plasma and in chemical researches.

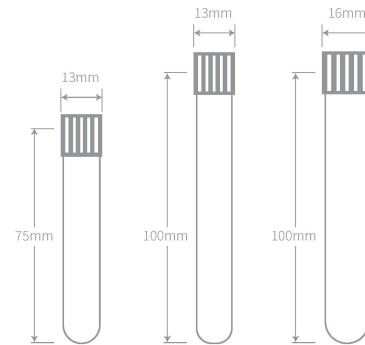
Heparin Blood Collection Tubes are intended to be used for analysis of blood withdrawn from patients under anticoagulant therapy.

The anticoagulant heparin activates antithrombin, thus blocking the coagulation cascade and producing a whole blood / plasma sample making it ideal for the analysis.

Tubes manufactured using transparent PET or Glass. Caps manufactured using polyethylene.

Specimen: heparin plasma.

Conditions of centrifugation: 1300 g for 10 minutes.



All tubes are with labels and push caps.

| REF Vacuum | REF Non-Vacuum | Additive | Cap Color | Tube Size (mm) | Draw Volume (ml) | Tube Material | Pack/Carton |
|------------|----------------|----------------|-----------|----------------|------------------|---------------|-----------------|
| C107020 | C207020 | Sodium Heparin | Green | 13×75 | 2 | PET | 100PCS/1200 PCS |
| C107030 | C207030 | | | | 3 | | |
| C107040 | C207040 | | | | 4 | | |
| C107050 | C207050 | | | 5 | | | |
| C107060 | C207060 | | | 6 | | | |
| C107070 | C207070 | | | 7 | | | |
| C107080 | C207080 | | | 8 | | | |
| C107090 | C207090 | | | 9 | | | |
| C107100 | C207100 | | | 10 | | | |
| | | | | | | | |
| | | | | 16×100 | | | |



EDTA & NaF

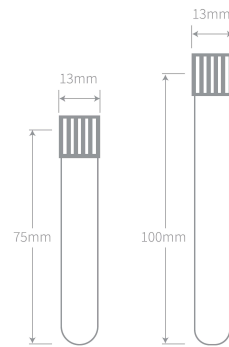
EDTA & NaF Blood Collection Tube is also called blood glucose tube or fluoride tube. EDTA & NaF Blood Collection Tube are intended to be used for specially glucose blood tests.

Tubes are recommended for glucose analysis when transportation time is crucial. Tubes contain fluoride as a glycolysis inhibitor and EDTA as anticoagulant.

Usage: EDTA & NaF Tubes are used for glucose determinations like blood sugar, sugar tolerance.

Specimen: plasma.

Conditions of centrifugation: 1300 g for 10 minutes. Centrifugation should be made right after taking the blood into the tubes.



All tubes are with labels and push caps.

| REF Vacuum | REF Non-Vacuum | Additive | Cap Color | Tube Size (mm) | Draw Volume (ml) | Tube Material | Pack/Carton |
|------------|----------------|----------|-----------|----------------|------------------|---------------|-----------------|
| C108020 | C208020 | EDTA&NaF | Grey | 13×75 | 2 | PET | 100PCS/1200 PCS |
| C108030 | C208030 | | | | 3 | | |
| C108040 | C208040 | | | | 4 | | |
| C108050 | C208050 | | | 13×100 | 5 | | |



Sodium Citrate

Sodium Citrate Blood Collection Tube are also known as Coagulation Tubes or Citrate Tube. Sodium Citrate Blood Collection Tube are used to collect venous blood for coagulation tests.

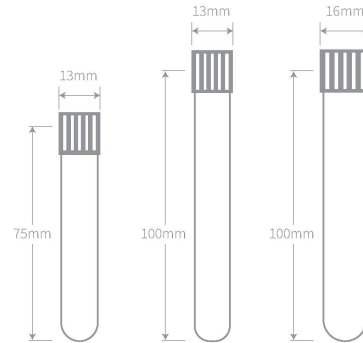
Sodium Citrate Tube have a buffered sodium citrate solution of 0.109 mol/l (3.2%) or 0.129 mol/l (3.8%).

Usage: to research the hemostatic system.

Specimen: plasma.

Conditions of centrifugation: 2000-2500 g for 10-15 minutes.

Immediately after taking the blood into the tube with citrate it must be carefully mixed at least 5 times to prevent micro clots.



All tubes are with labels and push caps.

| REF Vacuum | REF Non-Vacuum | Additive | Cap Color | Tube Size (mm) | Draw Volume (ml) | Tube Material | Pack/Carton |
|------------|----------------|--------------------------|-----------|----------------|------------------|---------------|-----------------|
| C109018 | C209018 | Sodium Citrate Ratio 1:9 | Blue | 13×75 | 1.8 | PET | 100PCS/1200 PCS |
| C109027 | C209027 | | | | 2.7 | | |
| C109036 | C209036 | | | | 3.6 | | |
| C109045 | C209045 | | | 13×100 | 4.5 | | |
| C109054 | C209054 | | | | 5.4 | | |
| C109063 | C209063 | | | | 6.3 | | |
| C109072 | C209072 | | | 16×100 | 7.2 | | |
| C109081 | C209081 | | | | 8.1 | | |
| C109090 | C209090 | | | | 9 | | |



Clot Activator

Clot Activator Tubes are covered with clot activator powder to accelerate blood coagulation.

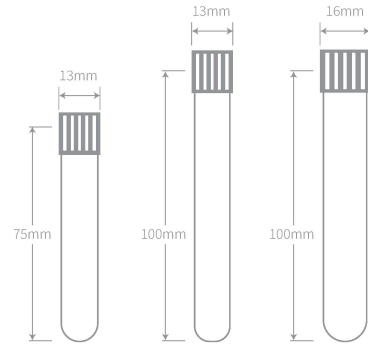
Silica (clot activator) is used as the activator. Serum is a substance freed from the fibrinogen but containing fragments of thrombocyte and product of the metabolism.

Usage: to research serum in the clinical chemistry, immunology, serology, protein electrophoresis.

Specimen: serum.

Clotting time: from 10 to 30 minutes.

Conditions of centrifugation: 1500-1800 g for 10 minutes.



All tubes are with labels and push caps.

| REF Vacuum | REF Non-Vacuum | Additive | Cap Color | Tube Size (mm) | Draw Volume (ml) | Tube Material | Pack/Carton |
|------------|----------------|----------------|-----------|----------------|------------------|---------------|-----------------|
| C104035 | C204035 | Clot Activator | Red | 13×75 | 3.5 | PET | 100PCS/1200 PCS |
| C104040 | C204040 | | | | 4 | | |
| C104045 | C204045 | | | | 4.5 | | |
| C104050 | C204050 | | | 5 | | | |
| C104060 | C204060 | | | 6 | | | |
| C104070 | C204070 | | | 7 | | | |
| C104080 | C204080 | | | 8 | | | |
| C104090 | C204090 | | | 9 | | | |
| C104100 | C204100 | | | 10 | | | |

VACUUM



No Additive

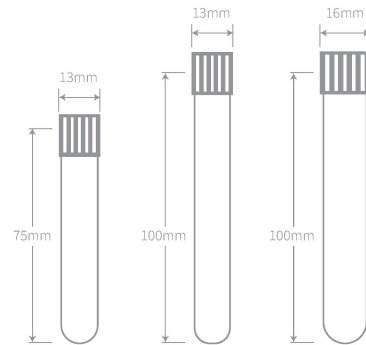
Plain Without Additives Blood Collection Tube are intended to be used in laboratory mainly for biochemistry, immunological & serological tests.

Usage: researches of biological fluids in clinical chemistry, serology, immunology.

Specimen: serum or other biological fluids.

Clotting time: 60 minutes.

Conditions of centrifugation: 1300 g for 10 minutes. Before centrifuging the tube with serum it is necessary to wait until blood clotting.



All tubes are with labels and push caps.

| REF Vacuum | REF Non-Vacuum | Additive | Cap Color | Tube Size (mm) | Draw Volume (ml) | Tube Material | Pack/Carton |
|------------|----------------|----------|-----------|----------------|------------------|---------------|-----------------|
| C100035 | C200035 | / | White | 13×75 | 3.5 | PET | 100PCS/1200 PCS |
| C100040 | C200040 | | | | 4 | | |
| C100050 | C200050 | | | 5 | | | |
| C100060 | C200060 | | | 6 | | | |
| C100070 | C200070 | | | 7 | | | |
| C100080 | C200080 | | | 8 | | | |
| C100090 | C200090 | | | 9 | | | |
| C100100 | C200100 | | | 10 | | | |



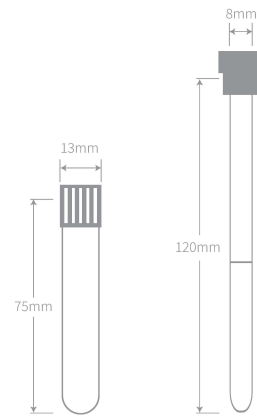
ESR

ESR Tube have a buffered sodium citrate solution of 0.109 mol/l (3.2%) or 0.129 mol/l (3.8%) for ESR test. ESR measurements refer to the Westergren method.

The tube are available with an open or closed sedimentation system.

Usage: ESR Blood Collection Tube are intended to be exclusively used for venous blood collection for determination of the Erythrocyte Sedimentation Rate.

Specimen: whole blood.



All tubes are with labels and push caps.

| REF Vacuum | REF Non-Vacuum | Additive | Cap Color | Tube Size (mm) | Draw Volume (ml) | Tube Material | Pack/Carton |
|------------|----------------|--------------------------|-----------|----------------|------------------|---------------|-----------------|
| C110012 | C210012 | Sodium Citrate Ratio 1:4 | Black | 13×75 | 1.28 | PET | 100PCS/1200 PCS |
| C110016 | C210016 | | | | 1.6 | | |
| C110020 | C210020 | | | | 2 | | |
| C110024 | C210024 | | | | 2.4 | | |
| C110032 | C210032 | | | | 3.2 | | |
| C110036 | C210036 | | | | 3.6 | | |
| C111016 | C211016 | | | 8×120 | 1.6 | | |

VACUUM



Gel & Clot Activator

As the activator it is used silica dioxide and biologically inert olefin gel.

Gel provides the separation of serum and clot up to 48 hours without re- centrifugation.

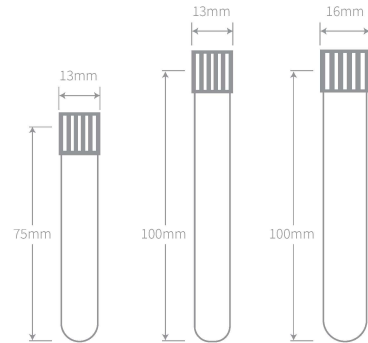
Gel is the special material intended for formation of barrier between cellular components of blood and serum during centrifugation.

Usage: to research serum in the clinical chemistry,immunology, serology, protein electrophoresis.

Specimen: serum.

Clotting time: from 5 to 30 minutes.

Conditions of centrifugation: 1800-2000 g for 10 minutes.



All tubes are with labels and push caps.

| REF Vacuum | REF Non-Vacuum | Additive | Cap Color | Tube Size (mm) | Draw Volume (ml) | Tube Material | Pack/Carton |
|------------|----------------|--------------------|-----------|----------------|------------------|---------------|-----------------|
| C105035 | C205035 | Gel&Clot Activator | Yellow | 13×75 | 3.5 | PET | 100PCS/1200 PCS |
| C105040 | C205040 | | | | 4 | | |
| C105050 | C205050 | | | 13×100 | 5 | | |
| C105060 | C205060 | | | | 6 | | |
| C105070 | C205070 | | | 16×100 | 7 | | |
| C105080 | C205080 | | | | 8 | | |

Micro Blood Collection Tube

042 type is designed under scientific concept, the sealed butyl rubber stopper is designed with central cross incision on top for easy inserting of the capillary. After blood collection, the cross incision automatically seal up when the capillary is pulling out, which effectively prevent blood leaking to guarantee safe and reliable transportation.

With special surface treatment both inside the capillary and micro storage tube, blood samples will automatically flow into bottom of the storage tube through the capillary without any blood adhesion or harm to the blood corpuscle. The additive is uniformly sprayed on surface both inside the capillary and storage tube, which is quite easy for blood anticoagulation, while avoiding tiny clotting. In this way, accurate testing result is guaranteed.

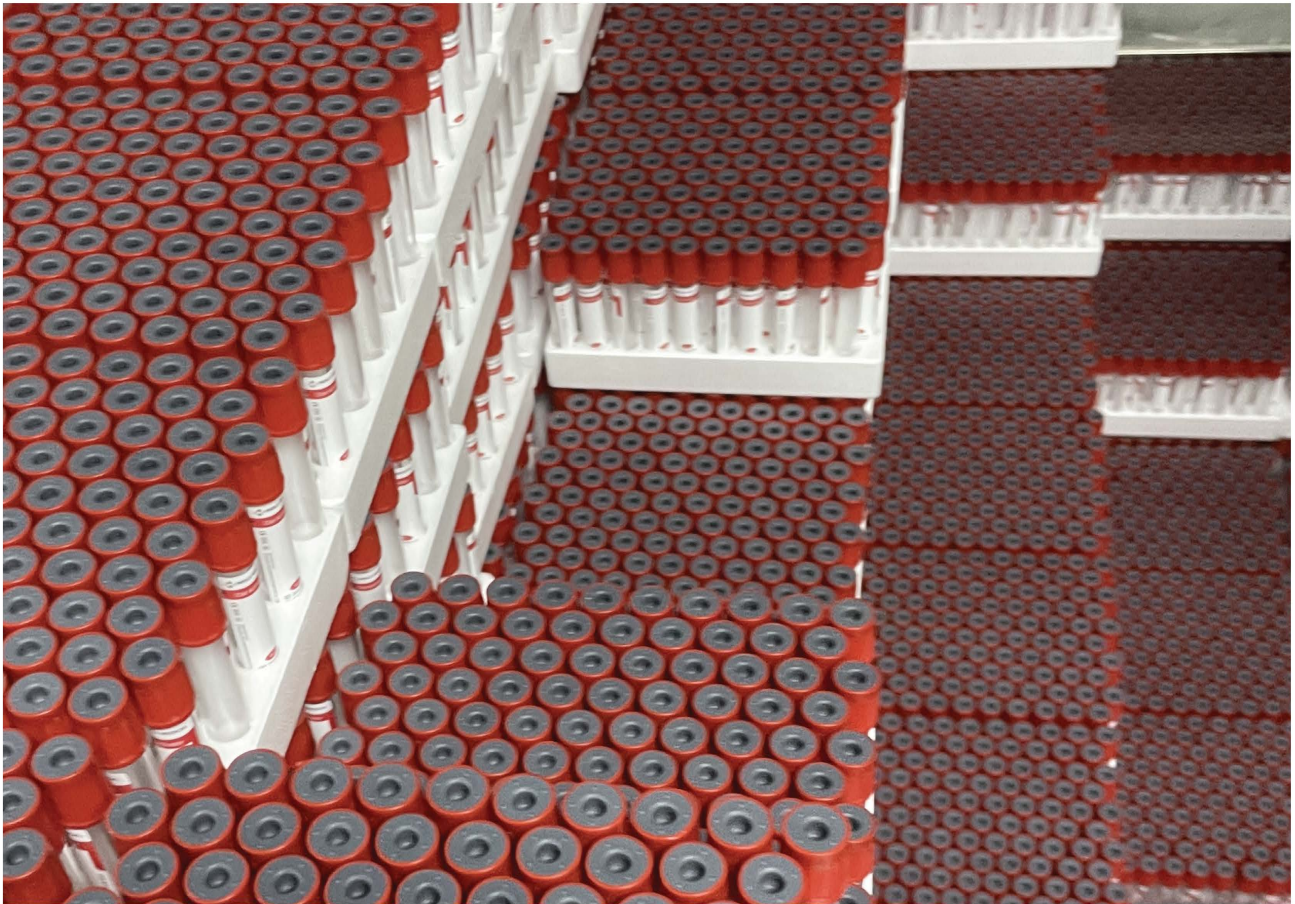
The cross incision is applicable to the sampling needle of all analyzers. Easy insert and automatic sampling requiring no cap opening operation during the whole testing process, safe and efficient.



| REF | Additive | Cap Color | Tube Size (mm) | Draw Volume (ul) | Tube Material | Pack/Carton |
|--------------|----------|-----------|----------------|------------------|---------------|-----------------|
| RJ190350-10m | K3EDTA | Purple | 8×45 | 100 | PP | 100PCS/3000 PCS |
| RJ190350-25m | | | | 250 | | |
| RJ190350-50m | | | | 500 | | |

If you need the micro blood collection tubes with other additives, we can customize for you.

Product Show



Product Photos



Product Packaging

RENJI BLOOD COLLECTION TUBE

DURABLE AND RELIABLE PACKAGING



Blood Collection Tube
CHANGSHA RENJI MEDICAL EQUIPMENT CO., LTD.

RENJI MEDICAL
Blood Collection Tube
CHANGSHA RENJI MEDICAL EQUIPMENT CO., LTD.

RENJI MEDICAL
Blood Collection Tube
CHANGSHA RENJI MEDICAL EQUIPMENT CO., LTD.

Blood Collection Tube
CHANGSHA RENJI MEDICAL EQUIPMENT CO., LTD.
www.renjigroup.com



Changsha Renji Medical Equipment Co., Ltd.

TEL: +86 0731-83075656

Mobile/WhatsApp: +86 13786133661

E-mail: sales@renjigroup.com

Website: www.renjigroup.com

Factory ADD: Workshop 201, Stage 4, Changsha E Center, No.18 Xiangtai Road, Liuyang Jingkai District, Changsha City, Hunan Province, China.

Sales Office: R.1403, Wangdefu Kaiyue International Building, No. 526 Sanyi Avenue, Changsha City, Hunan Province, China.

The copyright of this manual belongs to Changsha Renji Medical Equipment Co., Ltd. Without the written permission of the company, no other individual or organization may copy, copy, edit, or translate the contents of this manual in other languages in any form. All trademarks or logos in this manual belong to Changsha Renji Medical Equipment Co., Ltd. and its suppliers.

Version: September 2022 | RJ@HL

The information on which this manual is based is as of September 13, 2022. All contents are for reference only, and do not constitute any commitment or guarantee of the company. The final signed contract shall prevail.