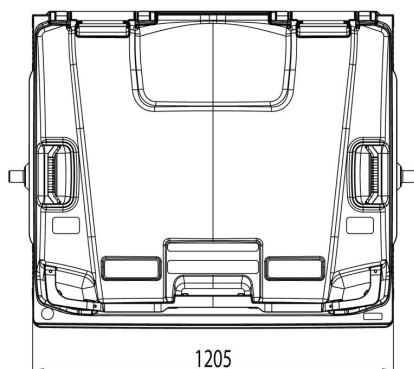
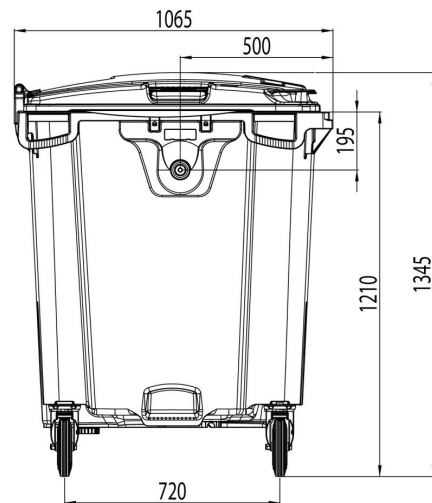
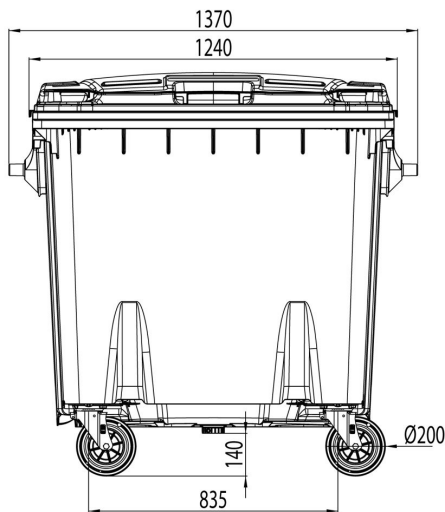


MGB 1100 CL FLAT LID
WITH TRUNNIONS



TECHNICAL DATA

Volume (L):	1,100
Curb weight approx. (kg):	47
Perm. total weight max. (kg):	510
Material:	HDPE, UV-stabilized
Wheels:	4 rubber wheels Ø 200 mm 2 with ERGOSTOP
Trunnions:	with steel reinforcement tubes
Lid / Container:	Bin: one rear and two lateral foot recesses; 4 laterally integrated open hand grips; 2 Comb Clips Lid front: with continuous lip handle, one central and two lateral hand grips; 2 Comb Clips Lid side: one additional hand grip each on the left and the right Lid to body fixation: 4 hinge pins
Certification:	EN 840, Prepared for RAL GZ 951/1 (2026)

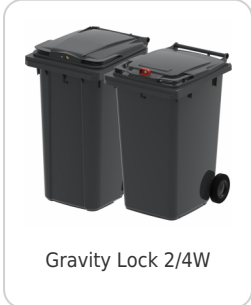
OPTIONS

- Locking versions
- Lid apertures
- Hood apertures
- Lid variants
- Markings / Identification
- Clip-Variants
- Alternative swivel castors
- Braking systems
- Noise reduction
- Lifting systems
- Special features / Accessories

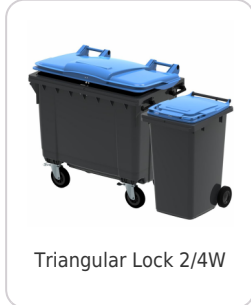
The products do not contain any substances on the SVHC list of the European Chemicals Agency (ECHA).

Options

Locking versions



Gravity Lock 2/4W

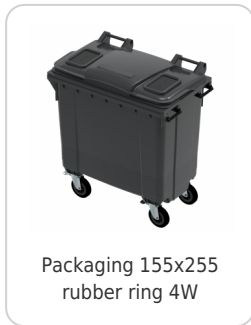


Triangular Lock 2/4W

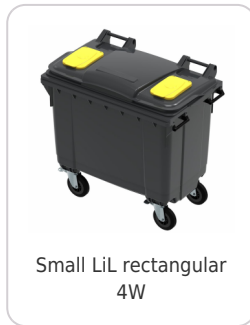
Lid apertures



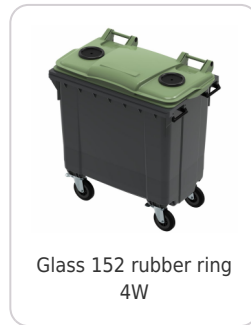
Small LiL square
2W/4W



Packaging 155x255
rubber ring 4W



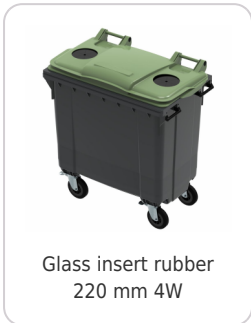
Small LiL rectangular
4W



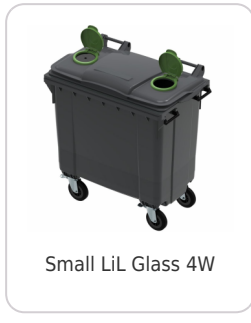
Glass 152 rubber ring
4W



Glass 152 rubber 4W



Glass insert rubber
220 mm 4W



Small LiL Glass 4W

Hood apertures



Paper Hood big 4W

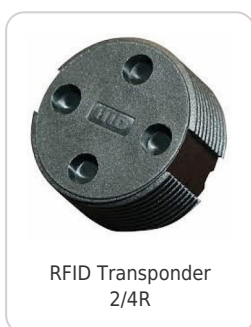


Paper Hood low 4W

Lid variants



Markings / Identification



Clip-Variants



Alternative swivel castors



Braking systems



Central brake system
4W

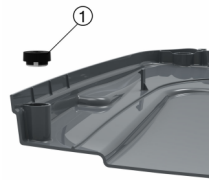


Direction lock castors
4W

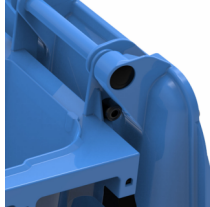


Wheel Stop brake
system 4W

Noise reduction



Noise reduction
closing lid 2/4W



Noise reduction open
lid

Lifting systems



Fork lift pockets tilting
4W



Securing trunnions
1100L

Special features / Accessories



Foot operated lid
opener 4W



30° Lid opening 4W



Towing equipment 4W