

# Panasonic

BUSINESS

Document Scanner  
**KV-SL1066**  
**KV-SL1056**



## Smart Scan!

Various Documents Scan for Your Needs

High-Volume Scan with Durability

Smooth Scan with Reliable Feeding

65 ppm / 130 ipm [KV-SL1066]

45 ppm / 90 ipm [KV-SL1056]

(A4 / Letter, Portrait, 200 / 300 dpi)

High-Volume, 100-sheets ADF



## Specifications

		KV-SL1066	KV-SL1056
<b>Scanning Face</b>		Duplex	
<b>Scanning Method</b>		Colour CIS (600 dpi) / Black or White Background	
<b>Scanning Resolution</b>		100 - 600 dpi (1 dpi step) and 1200 dpi (interpolated) Optical: 300 dpi / 600 dpi (Automatic switch)	
<b>Scanning Speed</b>	<b>Binary / Colour</b>	Up to 65 ppm	Up to 45 ppm
	<b>A4 size 200 / 300 dpi</b>	Up to 130 ipm	Up to 90 ipm
<b>Automatic Detection</b>		Intelligent double feed detection using ultrasonic sensor	
<b>Image Compression</b>		MH, MMR, JPEG	
<b>Binary Mode Halftone</b>		Dither, Error Diffusion	
<b>Image Control</b>		Auto preview, Auto rescans, Automatic Brightness Adjustment, Multi Colour Drop Out, Dynamic Threshold, White Level From Paper, Image Emphasis, Gamma, Automatic Separation, Noise Reduction	
<b>Other Functions</b>		Length Control, Patchcode Detection (Type 2, 3, T), Control Sheet Detection, Long Paper, Double Feed Skip	
<b>Documents*1</b>	<b>Width</b>	48 mm - 216 mm (1.9 in. - 8.5 in.)	
	<b>Length</b>	Automatic feeding: 54 mm - 356 mm (2.1 in. - 14 in.) Manual feeding: 54 mm - unlimited (2.1 in. - unlimited)*3	
	<b>Thickness</b>	Paper 0.04 mm - 0.5 mm (1.6 mils. - 19.7 mils.) Passport** 4.0 mm (157.5 mils.) (including carrier sheet) Note: 1 mil = 0.001 in.	
	<b>Weight</b>	20 g/m <sup>2</sup> - 413 g/m <sup>2</sup> (5 lb. - 110 lb.)	
<b>Card</b>	<b>Format</b>	ISO format	
	<b>Size</b>	85.6 mm x 54 mm (3.4 in. x 2.1 in.)	
	<b>Thickness</b>	0.76 mm (0.03 in.), Embossed card up to 1.4 mm (55.1 mils.)	
<b>Feed Tray Capacity</b>	Up to 100 sheets 80 g/m <sup>2</sup> (21 lbs., A4 or Letter) or 3 hard cards (ISO7810 ID-1)		
<b>Supported Operating System</b>	Windows Vista SP2 (32bit / 64bit) Windows 7 (32bit / 64bit) / Windows 8 (32bit / 64bit) Windows 8.1 (32bit / 64bit) / Windows 10 (32bit / 64bit) Windows Server® 2003 SP2 (32bit / 64bit) Windows Server® 2003 R2 SP2 (32bit / 64bit) Windows Server® 2008 SP2 (32bit / 64bit) Windows Server® 2008 R2 SP1 (64bit) Windows Server® 2012 (64bit) Windows Server® 2016 (64bit) Mac OS X 10.8 - 10.11, macOS 10.12 - 10.14, Red Hat® Enterprise Linux® Desktop 6/7, Ubuntu® 12/14/15/16/17/18/19		
<b>Interface</b>	USB 3.1 Gen 1 (backward compatible)		
<b>External Dimensions (W x D x H)</b>	300 mm x 272 mm x 238 mm (11.8 in. x 10.7 in. x 9.37 in.) (When the exit tray is closed)		
<b>Weight</b>	4.0 kg (8.8 lbs.)		
<b>Power Requirement**2</b>	AC 100 V - 125 V, 50 / 60 Hz or AC 220 V - 240 V, 50 / 60 Hz		
<b>Power Consumption</b>	<b>Maximum (Scanning)</b>	36 W or less	
	<b>Minimum (Ready)</b>	7 W or less	
	<b>Sleep</b>	1.8 W or less	
	<b>Power off</b>	0.3W or less (100V Type), 0.5W or less (200V Type)	
<b>Operating Environment</b>	Temperature: 5 - 35 °C (41 - 95 °F) / Humidity: 20 - 80 % RH		
<b>Storage Environment</b>	Temperature: -10 - 50 °C (14 - 122 °F) / Humidity: 8 - 75 % RH		
<b>Accessories</b>	CD-ROM (Device Driver, ISIS driver software, TWAIN driver software, WIA driver software, User Utility, Scan Button Setting Tool, Image Capture Plus with the OCR Engine, Operation manual, Control data sheet (PDF)) Quick Installation Guide, Power cord, USB cable (1.5 m (59 in.)), Mixed batch card guide		
<b>Options</b>	<b>Flatbed Scanner</b>	KV-SS081	
	<b>Carrier sheet</b>	KV-SS077	
	<b>Consumables Roller exchange kit</b>	KV-SS061	
	<b>Roller cleaning paper</b>	KV-SS03	

\*1 Image Size : 200dpi or less: 48 x 54 mm (1.9 x 2.1 in.) to 216 x 5,588 mm (8.5 x 220 in.)  
300dpi or less: 48 x 54 mm (1.9 x 2.1 in.) to 216 x 5,461 mm (8.5 x 215 in.)  
400dpi or less: 48 x 54 mm (1.9 x 2.1 in.) to 216 x 4,064 mm (8.5 x 160 in.)  
600dpi or less: 48 x 54 mm (1.9 x 2.1 in.) to 216 x 2,700 mm (8.5 x 106.3 in.)

\*\*2 The power requirement differs depending on the country/area.

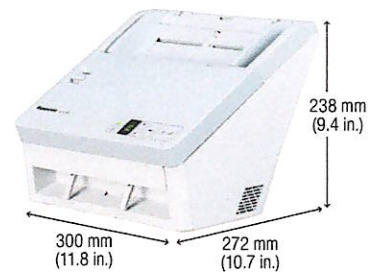
\*3 Using "Long Paper", you can scan a long document to a series of split scanned images.

\*4 Use the carrier sheet (KV-SS077) to scan passport. Depending on the condition (operating environment, dirt, scratches, etc.)

of the carrier sheet or passport, the image processing function may not work properly.

- All photographs in this brochure are simulated.
- Weights and dimensions are approximate.
- Specifications are subject to change without notice.
- These products may be subject to export control regulations.
- Use the mixed batch card guide when scanning mixed media (cards and papers) at the same time.
- Bound documents can be scanned by setting the manual feed selector to manual scanning (Manual). You can use an optional carrier sheet (KV-SS076) to scan passports using manual scanning.

## Dimensions



Flatbed Scanner  
**KV-SS081**



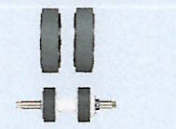
\*100 - 600 dpi (1 dpi step) (B/W and Colour)

Carrier sheet  
**KV-SS077**



\*3 per package

Roller exchange kit  
**KV-SS061**



Roller cleaning paper  
**KV-SS03**



\*10 per box



### Trademarks and registered trademarks

- ABBYY is a registered trademark of ABBYY Software Ltd.
- ISIS is a registered trademark or trademark of Open Text Corporation.
- Windows, Windows Vista and Windows Server are either registered trademarks or trademarks of Microsoft Corporation in the United States and/or other countries.
- Mac, OS X and macOS are trademarks of Apple Inc., registered in the U.S. and other countries.
- Linux is a registered trademark or a trademark of Linus Torvalds in the United States and other countries.
- Red Hat and Red Hat Enterprise Linux are registered trademarks or trademarks of Red Hat, Inc. in the United States and other countries.
- Ubuntu is a registered trademark or a trademark of Canonical Ltd. in the United States and other countries.
- All other brand or product names are the property of their respective holders.

This product is designed to reduce hazardous chemical substances in accordance with the RoHS directive.

DISTRIBUTED BY :



Document Scanner: <https://panasonic.net/cns/office/products/scanner/>

# SMART Board® GX series

SBID-GX165  
SBID-GX175  
SBID-GX186



## DISPLAY

<b>Screen sizes (diagonal)</b>	65", 75", 86"
<b>Backlight</b>	LED
<b>Aspect ratio</b>	16:9
<b>Maximum display resolution</b>	4K UHD (3840 × 2160)
<b>Refresh rate</b>	60 Hz
<b>Lifespan</b>	≥ 50,000 hours
<b>Brightness (maximum)</b>	≥400 cd/m <sup>2</sup>
<b>Response time</b>	≤ 8 ms
<b>Viewing angle</b>	178°
<b>Glass</b>	Fully heat-tempered, anti-glare
<b>Glass thickness</b>	4 mm
<b>Frame color</b>	Black
<b>Convenience buttons</b>	Power, home, volume, settings / freeze frame, back
<b>Sensors</b>	Ambient light, infrared
<b>Audio</b>	2 integrated 15 W speakers

## INTERACTIVE EXPERIENCE

<b>Touch technology</b>	Advanced infrared
<b>Touch features</b>	Object Awareness™ <sup>1</sup> Simultaneous Tool Differentiation™ <sup>2</sup> Silktouch™
<b>Typical response time</b>	≤10 ms
<b>Frame rate</b>	≥110 Hz
<b>Accuracy</b>	±1 mm (over 90% area)
<b>Minimum object size</b>	2.0 mm
<b>Multitouch capabilities</b>	20 – Windows® and Mac 10 – Chrome OS™
<b>Tools included</b>	Pens (×2)
<b>Tool holders</b>	Magnetic, frame-mounted

## SOFTWARE

<b>SMART Notebook® basic</b>	Included
<b>SMART Ink® and SMART Product Drivers</b>	Included
<b>SMART Remote Management</b>	Optional
<b>SMART Learning Suite</b>	Optional

smarttech.com  
smarttech.com/contact

© 2021 SMART Technologies ULC. All rights reserved. SMART Board, SMART Notebook, SMART Ink, Simultaneous Tool Differentiation, Object Awareness, Silktouch, smarttech, the SMART logo and all SMART taglines are trademarks or registered trademarks of SMART Technologies ULC in the U.S. and/or other countries. The Bluetooth word mark is owned by the Bluetooth SIG, Inc. and any use of such marks by SMART Technologies ULC is under license. The Adopted Trademarks HDMI, HDMI High-Definition Multimedia Interface, and the HDMI Logo are trademarks or registered trademarks of HDMI Licensing Administrator, Inc. in the United States and other countries. All other third-party product and company names may be trademarks of their respective owners. This product and/or use thereof is covered by one or more of the following U.S. patents: [www.smarttech.com/patents](http://www.smarttech.com/patents). Contents are subject to change without notice. April 14, 2021.

<sup>1</sup>When connected to a computer with SMART Product Drivers.  
<sup>2</sup>A connected computer with SMART Product Drivers is required. Only supported in SMART Notebook and SMART Ink.



**BUILT-IN ANDROID™ EXPERIENCE**

<b>Operating system</b>	Android version 8.0
<b>Memory</b>	3 GB DDR
<b>Storage</b>	32 GB
<b>Digital whiteboard</b>	✓
<b>Web browser</b>	✓
<b>Screen sharing</b>	✓
<b>Other features</b>	Input select File manager Overlay Interactive widgets App library
<b>WPS Office</b>	✓
<b>Ability to run third-party applications</b>	✓
<b>Cloud storage access</b>	✓
<b>Languages supported</b>	Arabic, Chinese (Simplified), Chinese (Traditional), Czech, Danish, Dutch, English, Finnish, French, German, Greek, Italian, Japanese, Korean, Lithuanian, Norwegian, Polish, Portuguese, Romanian, Russian, Spanish, Swedish, Turkish
<b>Updates</b>	Over-the-air (OTA)

**PC COMPUTING**

<b>OPS support</b>	✓
<b>OPS-C support</b>	✓
<b>PC module power supported OPS</b>	60 W
<b>Optional computing modules</b>	SMART OPS PC with Windows 10 Pro SMART Chromebox

**INPUTS**

	Front	Back
OPS PC accessory slot (60 W devices)	–	1
HDMI® 2.0 with HDCP 1.4 and HDCP 2.2 support	1	2
Display Port 1.2	–	1
VGA video	–	1
YPbPr video 3.5 mm	–	1
AV 3.5 mm (composite video)	–	1
Stereo 3.5 mm	–	1
RS-232 room control (DB-9 connector)	–	1
RJ45 Ethernet (passthrough)	–	2
USB Type-C 4K @ 60Hz Display Port alternate mode, touch, and digital audio; 15 W power delivery	1	–
USB 2.0 Type-A	1	2
USB 2.0 Type-B	1	1
USB 3.0 Type-A	1	–

**OUTPUTS**

	Front	Back
HDMI 2.0 with HDCP 2.2 support	–	1
AV 3.5 mm (composite video)	–	1
Audio S/PDIF	–	1
Stereo 3.5 mm	–	1

**INCLUDED CABLES AND ACCESSORIES**

	Qty
Country-specific power cable	1
16' 5" (5 m) USB A/B cable	1
Pens	2
External dual-band 2.4 and 5 GHz antennas ( 2 Wi-Fi, 1 access point)	3
Remote control	1
AAA batteries	2
Illustrated installation instructions	1
Important information document	1



### CONNECTIVITY

<b>Wired</b>	RJ45 (x2) 100baseT
<b>Wi-Fi</b>	IEEE 802.11 a/b/g/n/ac with 2 x 2 MIMO (both 2.4 and 5 GHz bands) supporting WEP, WPA, WPA2 PSK, and 802.1X EAP authentication protocols Wi-Fi access point
<b>Bluetooth</b>	4.2 dual mode

### STORAGE AND OPERATING REQUIREMENTS

<b>Power requirements</b>	100V to 240V AC, 50 Hz to 60 Hz
<b>Operating temperature</b>	32–104°F (0–40°C)
<b>Storage temperature</b>	14–140°F (-10–60°C)
<b>Humidity</b>	20–80% relative humidity, non-condensing

### POWER CONSUMPTION

<b>Typical</b>	65": 117 W
	75": 157 W
	86": 175 W
<b>Standby</b>	< 0.5 W
<b>Off</b>	0 W

### CERTIFICATION AND COMPLIANCE<sup>3</sup>

<b>US / Canada</b>	UL, FCC, ISED, CONEG Packaging, Proposition 65
<b>EU / EEA / EFTA / UK</b>	CE, UKCA, LVD, CB, EMCD, RED, REACH, RoHS, Battery, WEEE, Packaging, POP, Ecodesign
<b>Australia / New Zealand</b>	RCM
<b>Performance standards</b>	ENERGY STAR®, HDMI

### PURCHASING INFORMATION

<b>Order number: SBID-GX165</b>	SMART Board GX065 interactive display with embedded OS and education software
<b>Order number: SBID-GX175</b>	SMART Board GX075 interactive display with embedded OS and education software
<b>Order number: SBID-GX186</b>	SMART Board GX086 interactive display with embedded OS and education software
<b>Optional accessories</b>	See <a href="http://smarttech.com/accessories">smarttech.com/accessories</a>

### WARRANTY

<b>SMART limited equipment warranty</b>	Includes advanced hardware replacement and access to onsite support. Terms and conditions vary by region. Contact your local reseller or distributor for information and visit <a href="http://smarttech.com/warranty">smarttech.com/warranty</a> .
---	---

### CABLE REQUIREMENTS

<b>HDMI</b>	Certified premium high speed HDMI (18 Gbps) Maximum length: 23' (7 m)
<b>USB 2.0</b>	USB 2.0 certified Hi-Speed (480 Mbps) support Maximum length: 16' (5 m)
<b>USB 3.0</b>	USB 3.0 certified SuperSpeed (5 Gbps) support Maximum length: 9' (3 m)
<b>USB Type-C</b>	USB 3.2 Gen 1 certified SuperSpeed (5 Gbps) support Maximum length: 6' (2 m)
<b>More information</b>	See <a href="http://smarttech.com/kb/171744">smarttech.com/kb/171744</a>

<sup>3</sup>Product availability may vary by region.

This product has received additional certifications not listed here.



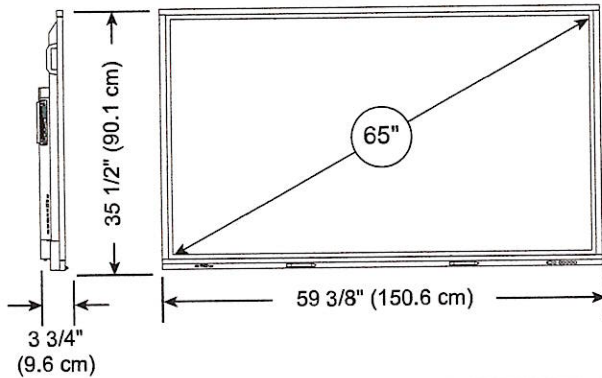
## INSTALLATION, DIMENSIONS, AND WEIGHTS

### NOTES

- All dimensions  $\pm 1/8"$  (0.3 cm). All weights  $\pm 2$  lb. (0.9 kg).
- Product ships upright.

### SBID-GX165

#### Dimensions



#### Weight

92 lb. (42 kg)

#### Shipping dimensions (including pallet)

66 3/8"  $\times$  45 5/8"  $\times$  9 1/4"  
(168.5 cm  $\times$  115.9 cm  $\times$  23.5 cm)

#### Shipping weight

139 lb. (63 kg)

#### VESA mount

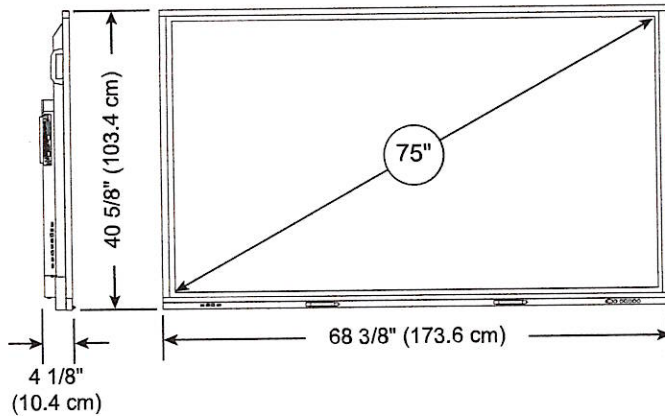
M8, 600  $\times$  400 mm

#### Handles

2

### SBID-GX175

#### Dimensions



#### Weight

127 lb. (58 kg)

#### Shipping dimensions (including pallet)

75 1/4"  $\times$  50 1/8"  $\times$  10 1/4"  
(191 cm  $\times$  127.4 cm  $\times$  26 cm)

#### Shipping weight

181 lb. (82 kg)

#### VESA mount

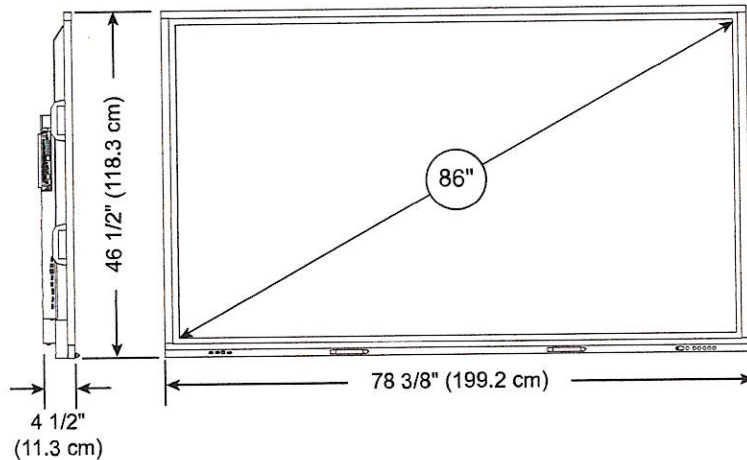
M8, 600  $\times$  400 mm

#### Handles

2

### SBID-GX186

#### Dimensions



#### Weight

169 lb. (77 kg)

#### Shipping dimensions (including pallet)

85 1/4"  $\times$  57 1/4"  $\times$  11 5/8"  
(216.5 cm  $\times$  145.4 cm  $\times$  29.5 cm)

#### Shipping weight

236 lb. (107 kg)

#### VESA mount

M8, 700  $\times$  400 mm

#### Handles

4

