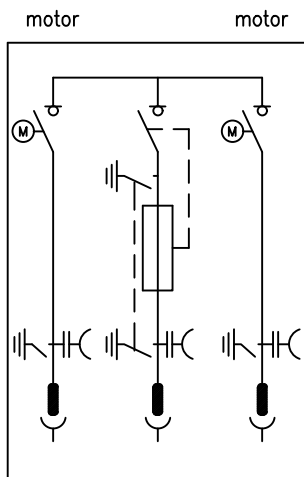
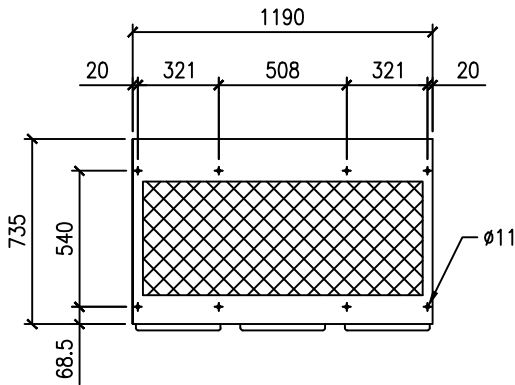
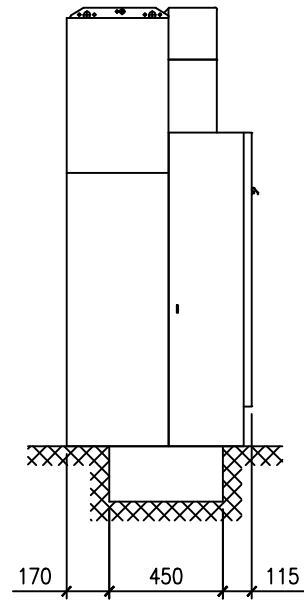
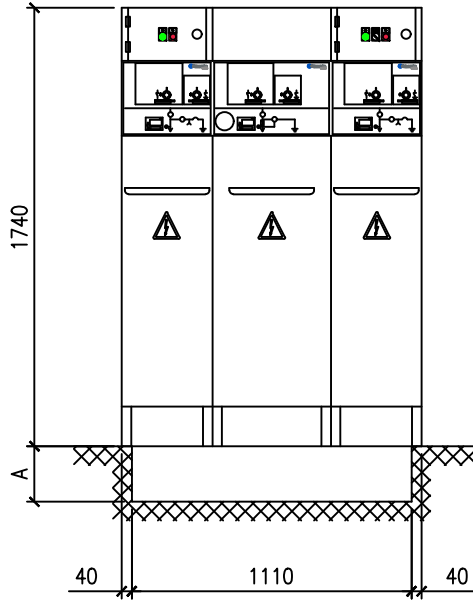


© THIS DOCUMENT IS THE PROPERTY OF ORMAZABAL. ALL RIGHTS ARE RESERVED AND ARE NOT TO BE COPIED OR REPRODUCED WITHOUT ORMAZABAL EXPRESS WRITTEN CONSENT.



PT262FL8

A: CABLE TRENCH DEPTH ACCORDING TO CURVATURE RADIUS.

	ormabloc cgmcosmos		P024749	
	50-32-25		Rev. N°: 0	Sheet 13 of 15
	Tender RedNord		Scale : 1/30	
	Designed by	I.F.G.	18-02-2025	Contract No.
Revised by	I.G.M.	18-02-2025		
Approved by			A4 metric	