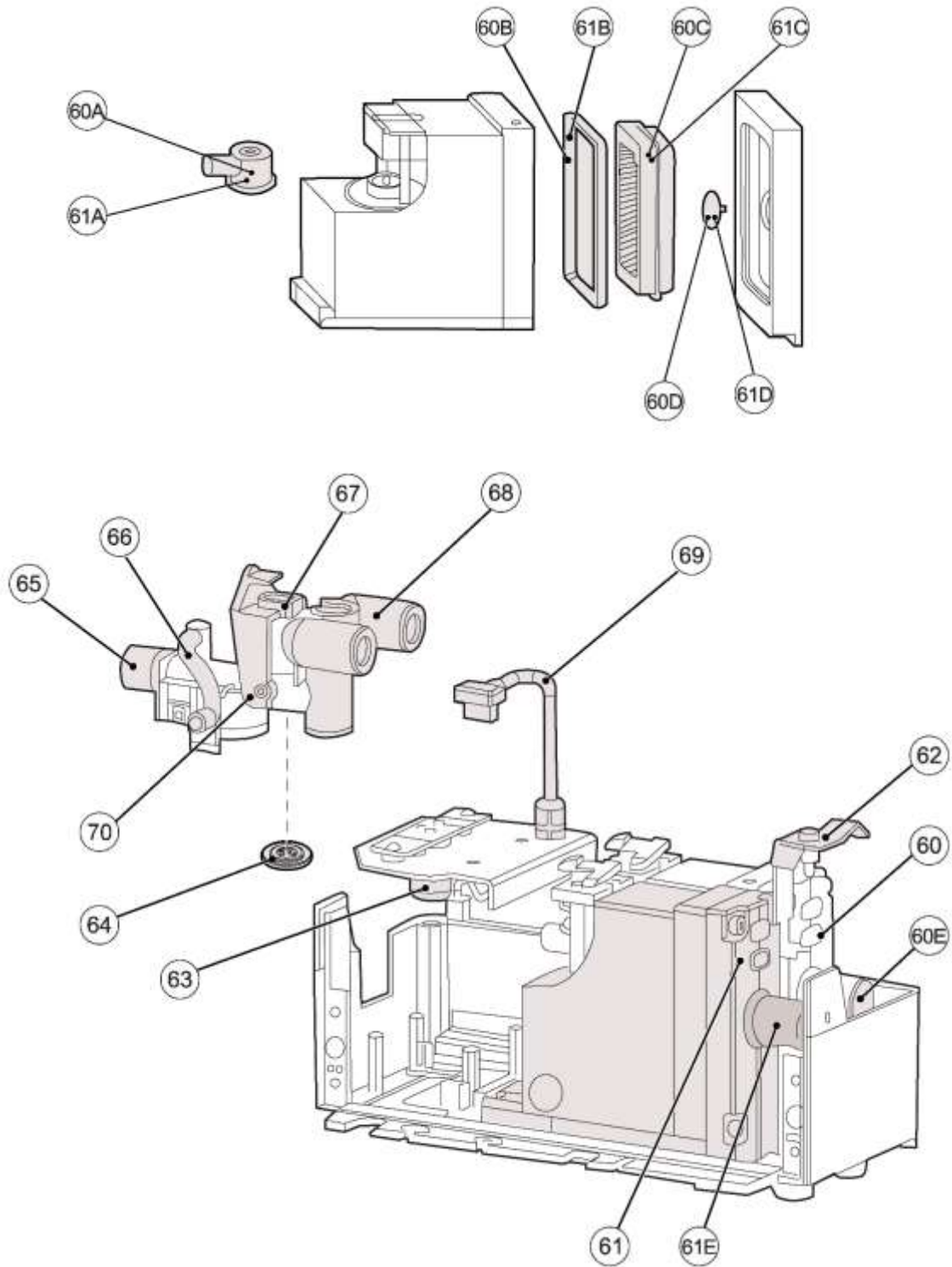


SEALING CAPS

Illustration		Capacity Ø mm	Colour	Product no.
Sealing cap small, PACK= 10 PCS 	Sealing cap without holes	-	dark orange	89.20
	Sealing cap CAP <2,4mm	< 2,4	black	89.00
	Sealing cap CAP 2,4-3,4mm	2,4 - 3,4	red	89.01
	Sealing cap CAP 3,4-5,1mm	3,4 - 5,1	blue	89.02
	Sealing cap CAP 5,1-6,0mm	5,1 - 6,0	grey	89.03
	Sealing cap CAP 6,0-7,0mm	6,0 - 7,0	brown	89.04
	Sealing cap CAP 6,0-7,0mm	7,0 - 8,0	yellow	89.05
	Sealing cap CAP 9,5-10,1mm	9,5 - 10,1	red	89.08
	Sealing cap CAP >10,1mm	> 10,1	blue	89.09
	Sealing cap CAP 13,0-13,8mm	13,0 - 13,8	red	89.10
	Sealing cap CAP 4-6mm	4,0 - 6,0	red	89.141
	Sealing cap CAP 7,5-8,5mm	7,5 - 8,5	blue	89.161
	Sealing cap CAP 7,0mm	7,0	brown	89.171
Sealing cap with cross slot 	for trocar sleeves with thread PACK= 10 PCS	-	dark orange	89.90
RIWO rubber cap PACK= 10 PCS 	RIWO rubber cap without holes	-	dark orange	88.00
	RIWO rubber cap CAP 0,5mm	0,5	red	88.005
	RIWO rubber cap CAP 0,8mm	0,8	dark orange	88.01
	RIWO rubber cap CAP 1,4mm	1,4	blue	88.02
	RIWO rubber cap CAP 2,4mm	2,4	black	88.03
	RIWO rubber cap CAP 4,0mm	4,0	green	88.04
	Rubber cap for hysteroscope long, PACK= 1 PCS	-	dark orange	18.01

Servo-i Ventilator Spare Parts List

Figure 3: Patient unit, Inspiratory section



Servo-i Ventilator Spare Parts List

Table 3: Patient unit, Inspiratory section

ID	Part no.	Description	Comments
60	6671137	Gas module O2, Type III	
60A	6693792	Nozzle unit	
60B	6039528	Rubber seal for bacteria filter	
60C	6169416	Bacteria Filter for Gas Module	
60D	6169358	Non-return valve, 2 pcs	
60E	6532654	Module adapter O2, with O-rings	Fits only modules with 2 screws in end plate
61	6671135	Gas module Air, Type III	
61A	6693792	Nozzle unit	
61B	6039528	Rubber seal for bacteria filter	
61C	6169416	Bacteria Filter for Gas Module	
61D	6169358	Non-return valve, 2 pcs	
61E	6532647	Module adapter AIR, with O-rings	Fits only modules with 2 screws in the end plate
62	6488113	Module bracket	
63	6670330	Pull magnet incl. bracket	
64	9303892	Filter for O2 cell, 25 pcs	
65	6532662	Inspiratory pipe	
66	6532977	Tube	
67	6640044	O2 cell	
68	6448612	Connector muff	
69	6487958	Cable for O2 cell	
70	6888750	O2 cell holder	