

PD-LFC (S)

Piston Displacement

Liquid Filled Type

DN15~20



TCM142/10-4759



INTRODUCTION

PD-LFC is Piston Displacement (Volumetric) water meter with mechanical transmission,

liquid sealed register has the sizes from Dn15 to Dn20 designed by NWM and meets to the requirements of Directive 2004/22/EC on

measuring instruments and of European Standard EN14154 and International Organization of Legal Metrology OIML R49.

FEATURES



Corrosion Resistance

All the materials selected by resistance to corrosion;



High Accuracy

Ensures high sensitivity and accurate registration throughout a wide flow range;



High Reliability

Mechanical transmission movement equates to maximum reliability;



Register Protection

Liquid-sealed register



High Sensitivity

Low starting flow rate;

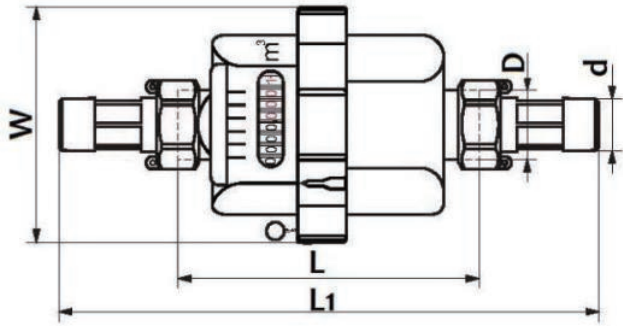


Remote Transmission

Internal non return valve and strainer

SPECIFICATIONS

► Dimension



Dimensional drawing of water meter

Size (mm)	Dn15	Dn20	Dn20
L	115	154	165
L ₁	209	258	269
D	G3/4B	G1B	G1B
d	R1/2	R3/4	R3/4
W	90	106	106

1) “L₁” is the total length when coupling gaskets without compression.

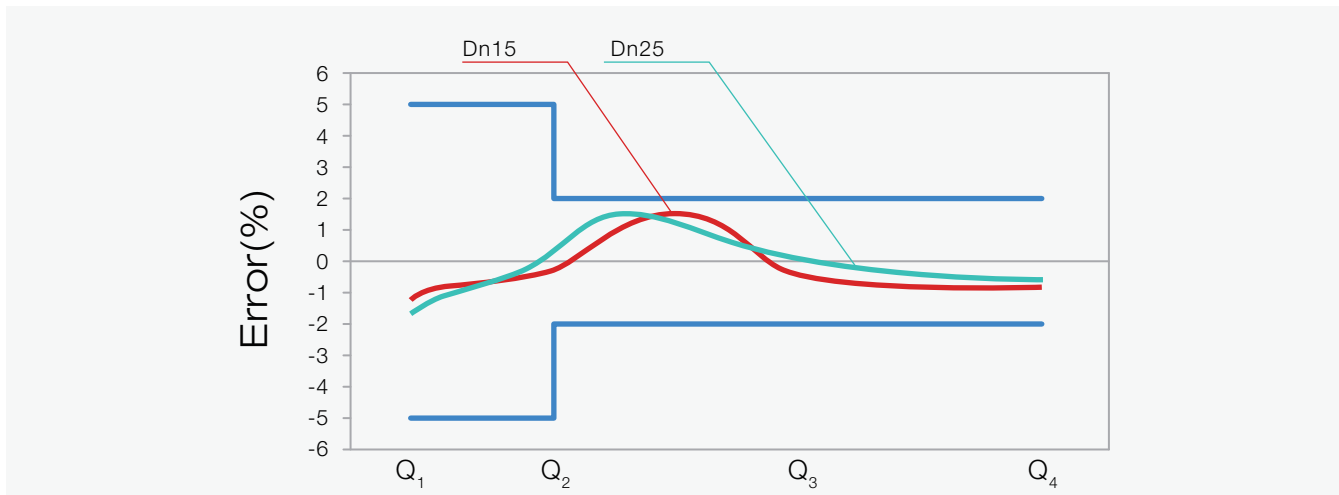
2) The weight for reference.

► Metrology

DN	mm	15	20
R	Q ₃ /Q ₁	315	200
Q ₄	m ³ /h	3.125	5.0
Q ₃	m ³ /h	2.5	4.0
Q ₂	l/h	12.70	32
Q ₁	l/h	7.94	20
Max. reading	m ³	9 999.9999	
Min. reading	Liter	0.02	
Pressure loss	Δp	Δp<63	
Max, Pressure	MAP	MAP16	
Max, Temperate	°C	T30/T50	

(For different Q₃ and R, please contact with NWM manufacture).

► Max Permission Error



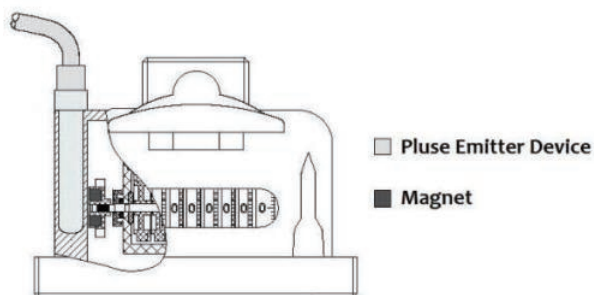
In the lower zone from Q_1 inclusive up to but excluding Q_2 is $\pm 5\%$
 In the upper zone from Q_2 inclusive up to and including Q_4 is $\pm 2\%$

► Register Type



REMOTE TRANSMISSION

► Reed Switch Transmission



- The Pulse Emitter Device consists of a plastic housing with Reed Switch, and 1.5 m cable with 2 cores in Red and Black.
- Electric Data: $V_{max}=24AC/DC$, $I_{max}=0.01A$
- Capacity of the Pulse output or Pulse output pre-equipped:
 Pulse Emitter Capacity: 1 liter/2 pulses



► Non-magneti Transmission



NB-IoT
Data remote transmission



NINGBO WATER METER (GROUP) CO., LTD.

Address: No.355, Hongxing Road, Jiangbei District, Ningbo 315032 China

TEL: +86 574 88195820 FAX: +86 574 88195855

E-mail: sales@nwmwatermeters.com

Website: www.nwmwatermeters.com

Version No.: NWM/EN-PD-LFC(S)/2205-1.1

Copyright © 2022-2026 NWM.All Rights Reserved.

