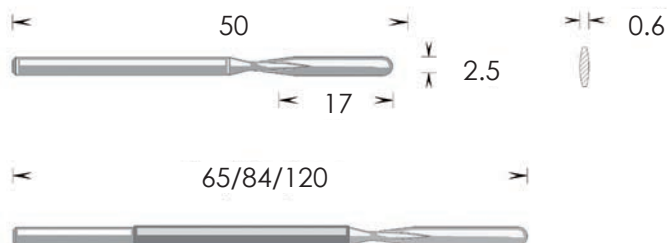


Shaft electrode Ø 2.4 mm Électrode emmanchement Ø 2.4 mm

Straight blade electrode Ø 2.4 mm

Électrode couteau droit Ø 2.4 mm



Class IIb

U = 4.5 kVp



= 5

T° 95°C max

Accessoires
HF - NU

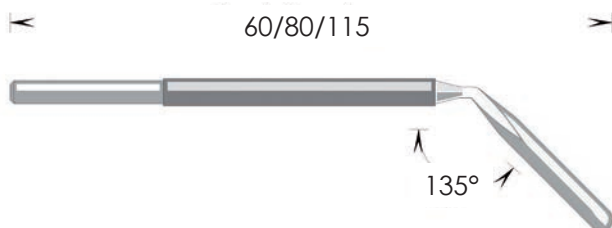


V11CCDTC	Extra short <i>Très court</i>	Not insulated <i>Non isolée</i>	50 mm
V11CCDI	Short <i>Court</i>	Insulated <i>Isolée</i>	65 mm
V11CD2M	Medium <i>Moyen</i>	Insulated <i>Isolée</i>	84 mm
V11CD2L	Long <i>Longue</i>	Insulated <i>Isolée</i>	120 mm

Angled blade electrode Ø 2.4 mm

Électrode couteau coudée Ø 2.4 mm

Insulated blade / *Couteau isolé*



Class IIb

U = 4.5 kVp



= 5

T° 95°C max

Accessoires
HF - NU

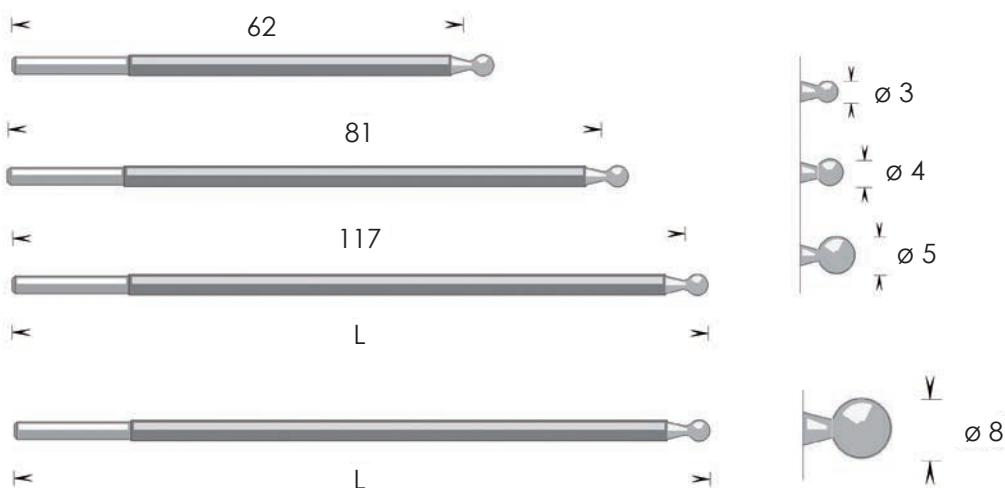


V11CCCI	Short <i>Court</i>	Insulated <i>Isolée</i>	60 mm
V11CC2M	Medium <i>Moyen</i>	Insulated <i>Isolée</i>	80 mm
V11CC2L	Long <i>Longue</i>	Insulated <i>Isolée</i>	115 mm

Insulated shaft electrode Ø 2.4 mm

Électrode isolée emmanchement Ø 2.4 mm

Ball electrode Électrode boule



Classe IIb

U = 4.5 kVp



= 5

T° 95°C max



Accessoires
HF - NU



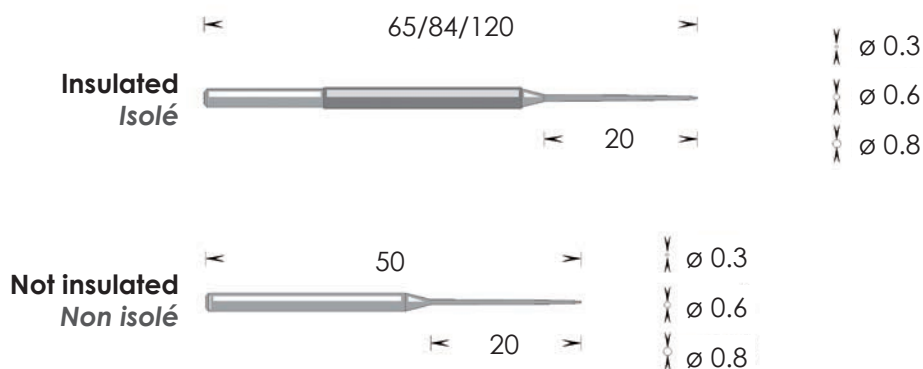
V11B3CI	Short / Courte	65 mm	Ø 3 mm
V11B32M	Medium / Moyen	84 mm	
V11B32L	Long / Longue	120 mm	
V11B4CI	Short / Courte	66 mm	Ø 4 mm
V11B42M	Medium / Moyen	85 mm	
V11B42L	Long / Longue	121 mm	
V11B5CI	Short / Courte	67 mm	Ø 5 mm
V11B52M	Medium / Moyen	86 mm	
V11B52L	Long / Longue	122 mm	
V11B8CI	Short / Courte	70 mm	Ø 8 mm
V11B82M	Medium / Moyen	84 mm	
V11B82L	Long / Longue	120 mm	

Shaft electrode Ø 2.4 mm

Électrode emmanchement Ø 2.4 mm

Needle electrode ø 2.4 mm

Électrode aiguille ø 2.4 mm



Class IIb

U = 4.5 kVp



= 5

T° 95°C max

Accessoires HF - NU



V11T3TC	Very short / Très courte	50 mm	Thin / Fine	Ø 0.3 mm
V11T3CI	Short / Courte	65 mm		
V11T32M	Medium / Moyen	84 mm		
V11T32L	Long / Longue	120 mm		
V11T5TC	Very short / Très courte	50 mm	Medium / Moyen	Ø 0.6 mm
V11T5CI	Short / Courte	65 mm		
V11T52M	Medium / Moyen	84 mm		
V11T52L	Long / Longue	120 mm		
V11T8TC	Very short / Très courte	50 mm	Large / Grosse	Ø 0.8 mm
V11T8CI	Short / Courte	65 mm		
V11T82M	Medium / Moyen	84 mm		
V11T82L	Long / Longue	120 mm		