

REMARKS

TYPE OF VEHICLE	QUANTITY

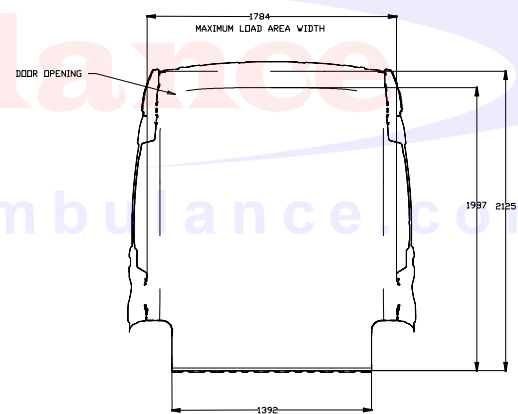
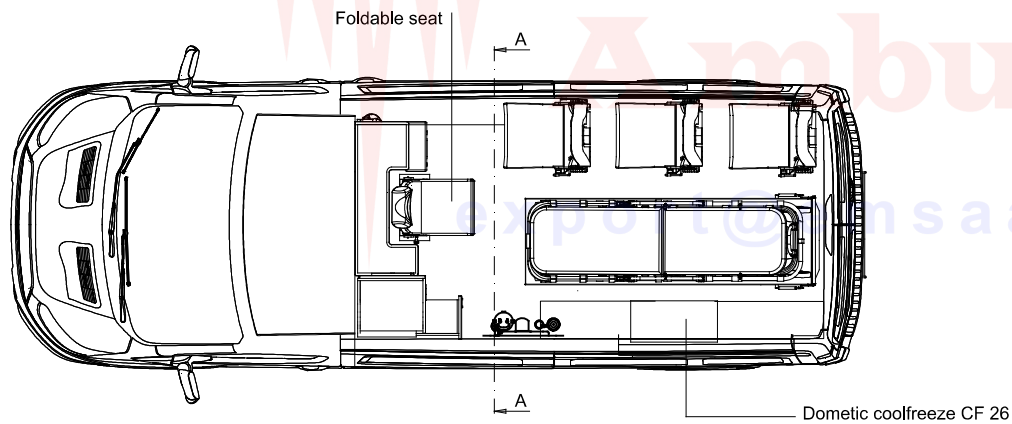
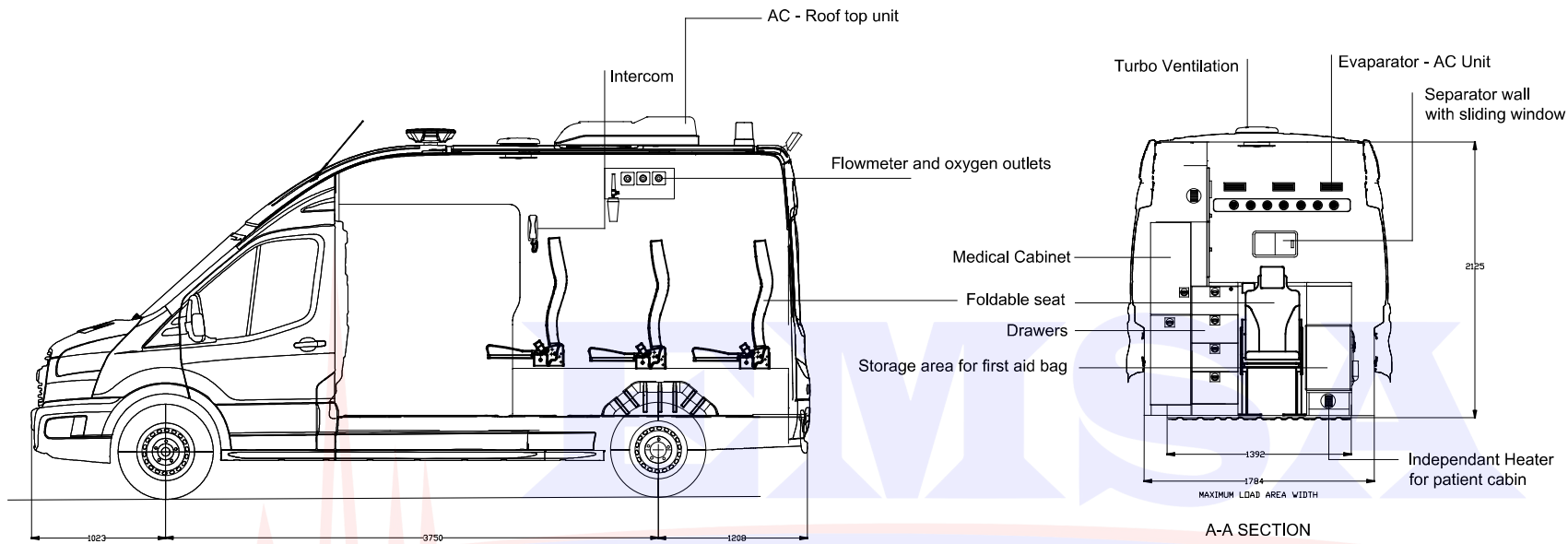
EMSA
Ambulance

Yesilova Mahallesi 4023 Cadd No: 1 Ser Tower Buidence
Daire: 33 06796 Etimesgut/ANKARA/TURKEY
www.emsaambulans.com

DRAWN BY
INTERNATIONAL TRADE DEPARTMENT PRODUCT
DEVELOPMENT SECTION

DO NOT SCALE DRAWING

ORDER NO	SCALE	PAGE	VER
	-	-	00



REMARKS

TYPE OF VEHICLE	QUANTITY

Yesilkova Mahallesi 4023 Caddesi No: 1 Ser Tower Buidence
 Daire: 33 06796 Etimesgut/ANKARA/TURKEY
 www.emsaambulans.com

DRAWN BY
INTERNATIONAL TRADE DEPARTMENT PRODUCT
DEVELOPMENT SECTION

DO NOT SCALE DRAWING

ORDER NO	SCALE	PAGE	VER
-	-	-	00

THIS DRAWING IS PREPARED FOR TENDER/PROPOSAL PURPOSES ONLY. MINOR CHANGES AT DIMENSIONS AND ARRANGEMENT MAY BE APPLIED IN ACCORDANCE WITH STANDARDS OF THE SUPPLIER AT THE PRODUCTION STAGE WITH CLIENT'S APPROVAL

Reinforcements for fixing of a portable suction unit and a semiautomatic defibrillator

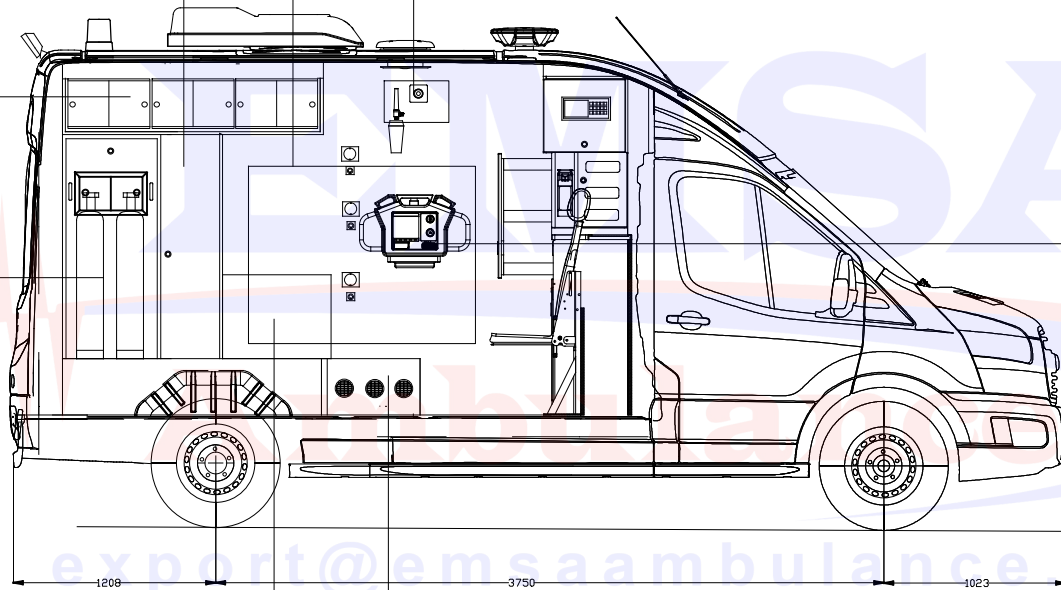
Holder for 5 liters oxygen bottle

Storage cupboard on the upper left wall with pvc sliding lids

Holder for 2x10 liters oxygen cylinders

Flowmeter and oxygen outlet

Defibrillator



Cooler Box

Heater for patient cabin - engine cooler heated

REMARKS

TYPE OF VEHICLE	QUANTITY

Yeşilova Mahallesi 4023 Caddesi No: 1 Ser Tower Buidence
Daire: 33 06796 Etilmesgut/VANKARA/TURKEY
www.emsaambulans.com

DRAWN BY
INTERNATIONAL TRADE DEPARTMENT PRODUCT
DEVELOPMENT SECTION

DO NOT SCALE DRAWING

ORDER NO	SCALE	PAGE	VER
-	-	-	00