

Handloch 100/150

20.10.2006

Zchnng. Nr.: St/1000/HL Rev. c

Druckluftbehälter 1000 ltr. Inhalt
mit Handloch

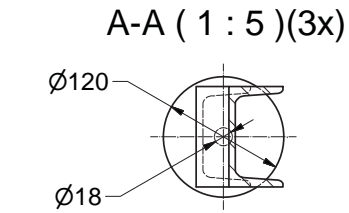
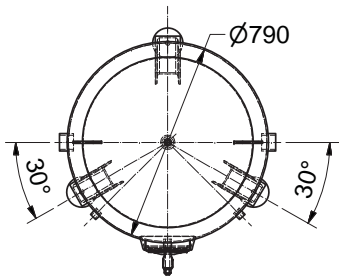
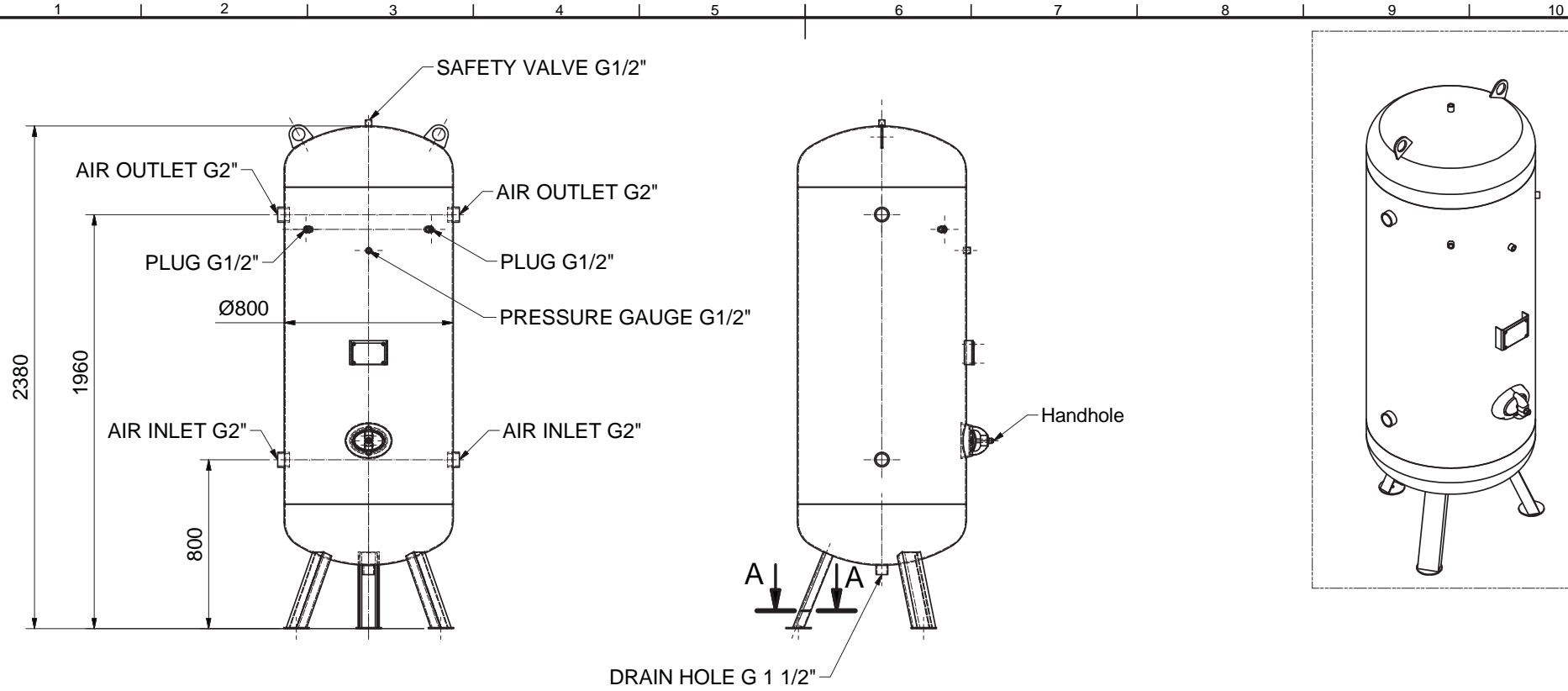
Lohenner
 GmbH & Co

Postfach 1364 - 57204 Kreuztal
 Telefon 02732/5852-0
 Telefax 02732/5852-40



Lohenco

All materials supplied are in compliance with the requirements of the List of Prohibited Substances



Type Name	Product Nr	Pressure	Vessel Set
LV1000	8101 0207 02	11 bar	8101 0241 00
LV1000	8101 0208 01	16 bar	8101 0241 42

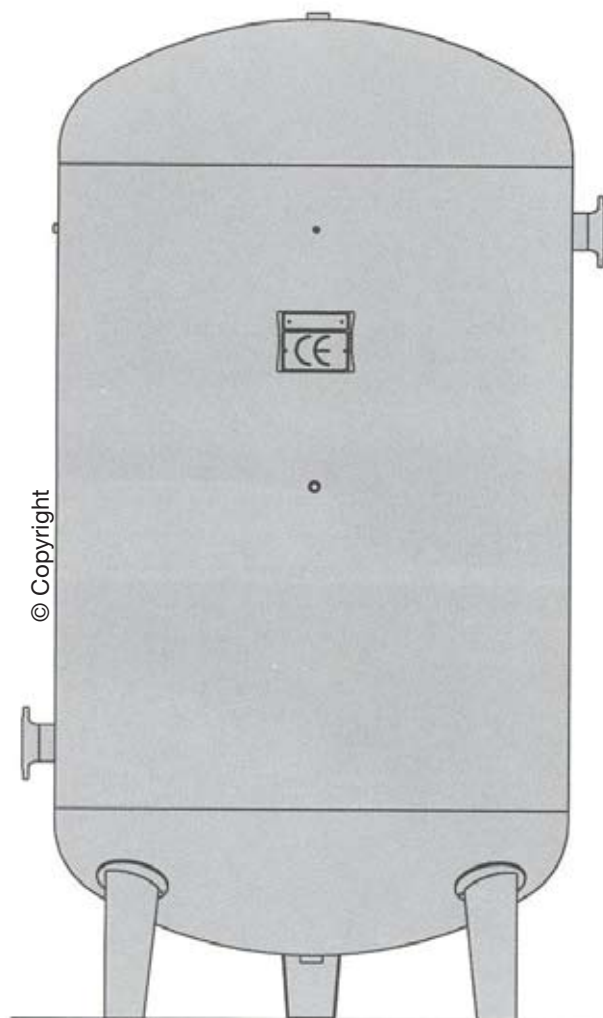
CONFIDENTIAL: This document is our property and shall not, without our permission, be altered, copied, used for manufacturing or communicated to any other person or company.

00		21/01/2016		1629007811	
Ed	Position	Date	Intr./Appd.	Parent 3D model	Edition 3D
	Modified from				

Tolerances, if not indicated, according to:					
ATLAS COPCO STANDARD CLASS					
Name				LV1000	
Material				Not Applicable	
Treatment				Not Applicable	
Scale		Family		Compare	
1 : 20					
Drawing by		Blank nr.		Replaces	
INEvak					
Drawing format		Kg		Fini wt.	
A3				30.253 kg	
Des checked.		Prod checked.		Approved.	
A3				Date	
				19/11/2015	
STATUS				Designation	
Approved				9820920004	
				Sheet 1 / 1	



Drawing owner
API



**CE-mærkede
Trykbeholdere
Vertikale
Standardstørrelser
1000-15000 liter
Max. drifttryk og temp.
11 eller 16 bar og 50 °C**

DANA-TANK standard trykbeholdere fremstilles CE-mærkede efter direktiv PED 97/23/EC & AD 2000 og godkendes normalt af bemyndiget organ til EU-landene.

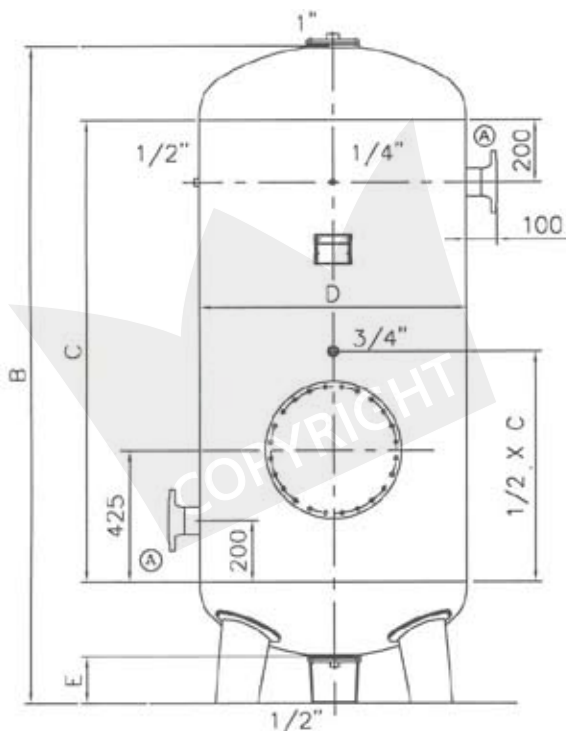
CE-mærkning efter PED 97/23/EC & EN 286-1 gældende for standardbeholdere under 1000 l. dog bar x L < 10000, se datablad 2002-1.



Volume	Besigtigelsesmuligheder			Mål og tilslutninger					Vægt i kg.	
	Ø100 (2 stk.) standard	Ø420/Ø500 soecial	Ø100x150 (2 stk.) special	A	B	C	D	E	11 bar	16 bar
1000	x	x	x	2"	2115	1485	863	150	277	315
1500	x	x	x	2"	2630	2000	863	150	374	435
2000	x	x	x	DN65	2840	2000	1100	200	660	720
3000	x	x	x	DN80	2920	2000	1280	200	790	870
4000	x	x	x	DN80	3000	2000	1450	200	905	1100
5000		x		DN100	3100	2000	1600	200	1050	1300
6000		x		DN100	3150	2000	1700	200	1200	1400
7000		x		DN100	4100	3000	1600	200	1000	1250
8000		x		DN100	4150	3000	1700	200	1600	1800
9000		x		DN100	5100	4000	1600	200	1260	1500
10000		x		DN100	5150	4000	1700	200	2000	2200
11000		x		DN100	6100	5000	1600	200	1550	1800
12000		x		DN100	6150	5000	1700	200	2400	2600
15000		x		DN100	5310	4000	2000	200	3100	

Vejlødende skema

Målskitse 1000-15000 liter



DANA-TANK standard lodrette trykbeholdere - med volumen fra 1000-15000 kan leveres for drifttryk som anført ovenfor.

Beholderne udføres med én af de angivne besigtigelsesmuligheder, der er udtryk for gældende regler for inspektion af trykbeholdere for installation i EU.

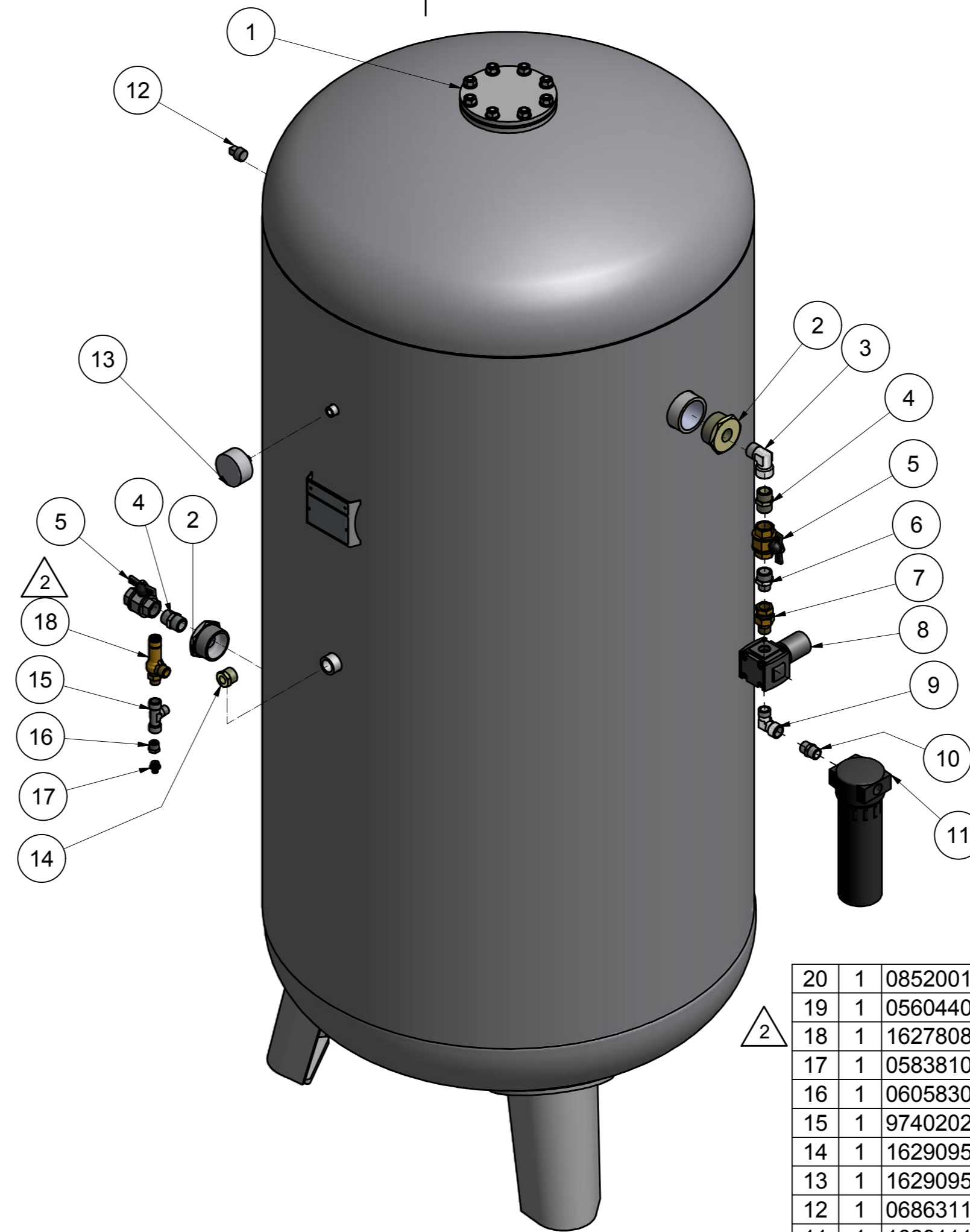
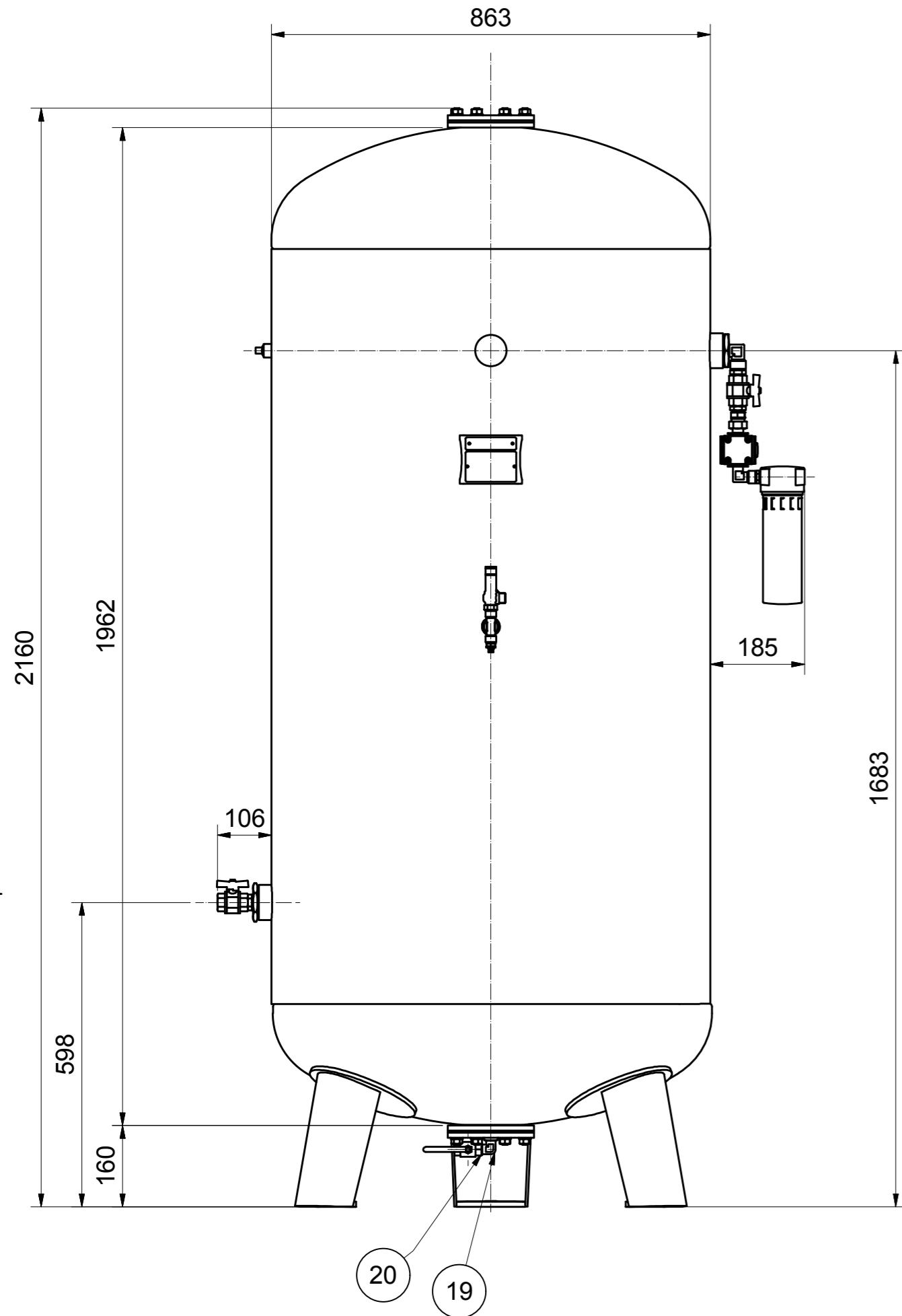
Ret til ændringer forbeholdes.

I øvrigt fremstilles trykbeholdere efter opgave.

Nogle modeller lagerføres, øvrige modeller produceres efter ordre.
 DANA-TANK trykbeholdere kan leveres med udvendig maling i.h.t. DS/EN ISO 12944.
 Rekvirer i øvrigt følgende datablade fra DANA-TANK:
 Datablad 2002-1 for lodrette beholdere 50-800 l.
 Datablad 2002-3 for vandrette beholdere 18-800 l.
 Datablad 2002-6 for beholdere 20-70 bar.
 Beskrivelse over alternativ overfladebehandling.



All materials supplied are in compliance with the requirements of the List of Prohibited Substances



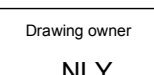
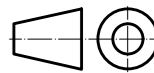
Pos	Qty	Partnumber	R/S	Name	Comments
20	1	0852001144	S	BALL VALVE	G1/2"
19	1	0560440123	S	ELBOW	G1/2"
18	1	1627808009	R	VALVE SAFETY	ISO 7-R3/8"
17	1	0583810109	S	STRAIGHT COUPL.	G1/4" x Ø4
16	1	0605830012	S	BUSHING	ISO 7-R3/8" x RP1/4"
15	1	9740202733	S	TEE	RP3/8" x ISO7-R 3/8 x RP3/8"
14	1	1629095049	R	BUSHING	ISO 7-R3/4" x G3/8"
13	1	1629095018	R	GAUGE PRESS	G 1/4" (0-12BAR)
12	1	0686311511	S	PLUG	ISO7-R1/2"
11	1	1629111600		FILTER	G 1/2"
10	1	9740202144	S	NIPPLE	G 1/2"
9	1	0605950016	S	ELBOW	G1/2" x G1/2"
8	1	0837154000	S	REGULATOR	G1/2"
7	1	0586100080	S	UNION	RP 1/2" x ISO 7-R1/2"
6	1	0603410050	S	NIPPLE	ISO 7-R 1/2" x ISO 7-R 3/4"
5	2	0852001154	S	BALL VALVE	G3/4" (T-HANDLE)
4	2	0603410036	S	NIPPLE	ISO 7-R3/4"
3	1	0605950017	S	ELBOW	G3/4"
2	2	1629111587	R	BUSHING	ISO 7-R2" x RP3/4"
1	1	1629091100	R	BUFFER VESSEL	1000 Ltr

Tolerances, if not indicated, according to:		General tolerances		
ATLAS COPCO STANDARD CLASS		1350K - m		
Name			VESSEL AIR BUFFER VESSEL OGP	
Material			NOT APPLICABLE 20-35 (1000 Ltr)	
Treatment			See Drawing	
Scale		1:10		Family
Drawn by		INESWL		Blank nr.
Version Drwg		Blank wt		Kg Fini wt. 251.931 kg
Des checked.		Prod checked.		Approved. Date 5/05/2014
STATUS			Released	
Parent 3D model			Ed. Version 3D	
Designation			1629091485-01	

Note: All components should be cleaned as per cleaning procedure 9829500380

Ed	Position	Modified from	Date	Intr./Appd.
2		POS 18 UPDATED	15/05/2017	User Agent

CONFIDENTIAL: This document is our property and shall not be disclosed without our permission. It is intended for manufacturing or communication to any other person or company.



Sheet 1 / 1

