



## ALANO LS-421 Series

Edgy and angular, Alano brings aesthetic geometrics into the educational space - from lecture hall to auditorium. Alano features a smooth, sculpted shape, with a seat and back support finished with a wood-grain effect.

Alano is designed to suit different layout and levels of all educational environments, with an aluminum pedestal that caters to customized heights. This flexibility ensures that students enjoy a chair and desk that are aligned – encouraging good posture and healthy study.

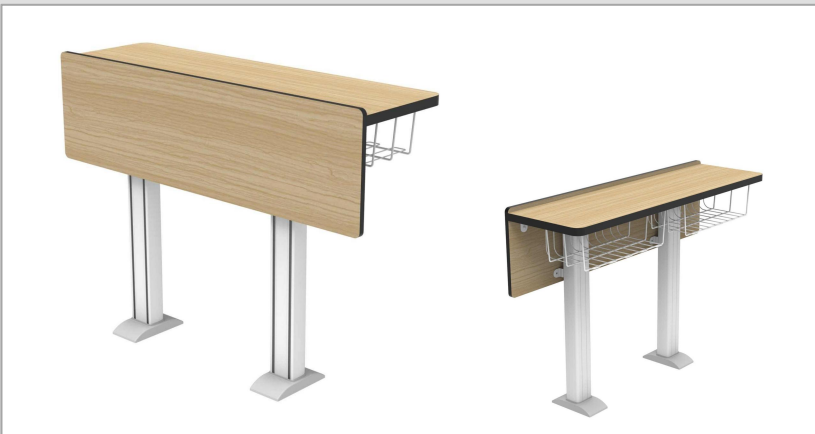


# BENEFITS



## Customized height

With an aluminum pedestal, Alano can be set at a custom height during project planning and installation according to the measurement of the stairs - ideal for comfort, perfect for never having to choose between style and practicality.



## Modesty panel

The front row features a block table with MDF/wood veneer modesty screen, which is fixed in place at a level that suits the environment.

# OPTIONS

## Optional Foldable or Fixed Rear-back Table

Customize your configuration by choosing between fixed tables (LS-421) or space-saving flip-up tablets (LS-421A) that sit neatly behind the Alano seats.



**Alano LS-421A**



**Alano LS-421**

## Electric Power Supply System

Powering the learning of students is an electric power supply system- providing convenience for the increasing amount of learning technology, from tablets to laptops.



## Optional With Wire bookrack

Optional with convenient under desk wire bookrack for book storing.



# MATERIAL

## Back

Molded plywood with wood veneer finish  
Thickness: 15mm

## Seat

Molded plywood with wood veneer finish  
Thickness: 15mm  
Counterweight tip-up mechanism for a lifetime of smooth operation

## Table

**Standard:** Quality particle board with laminate finish on top (wood stained table available with extra charge)

**Fixed table:**  
25mm-thick, steel table support

**Foldable table:**  
15mm-thick, aluminum table support



## Stanchion & Base

Material: Aluminium, powder coated  
Density: 2.7 gr/m<sup>3</sup>

\* Available in back and seat padding for added comfort

# MATERIAL

## First row table top/Modesty panel

Standard: Quality particle board with laminate finish on top  
(wood stained table available with extra charge)



## First Row Stanchion & Base

Material: Cold-rolled Steel with powder coating  
Thickness: 3mm



## Book rack

Steel, powder coated

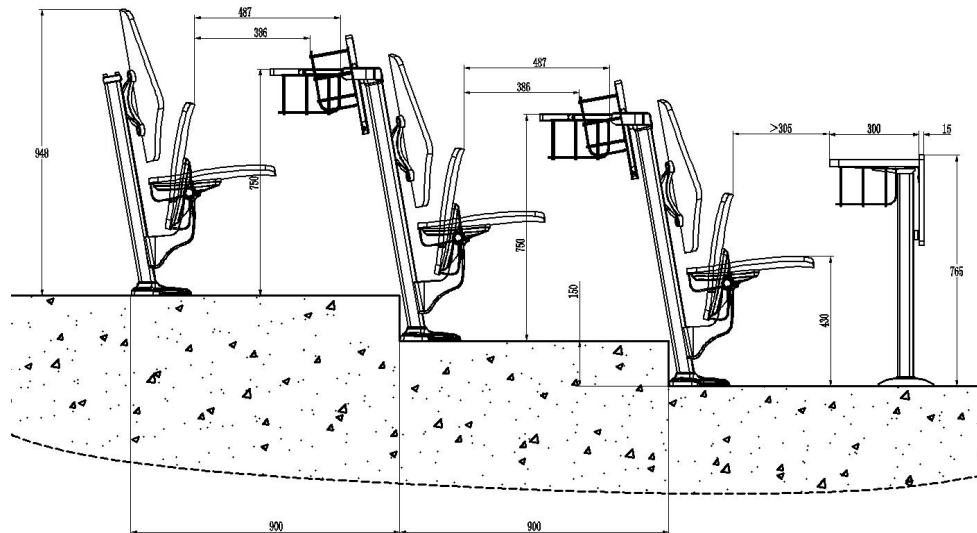
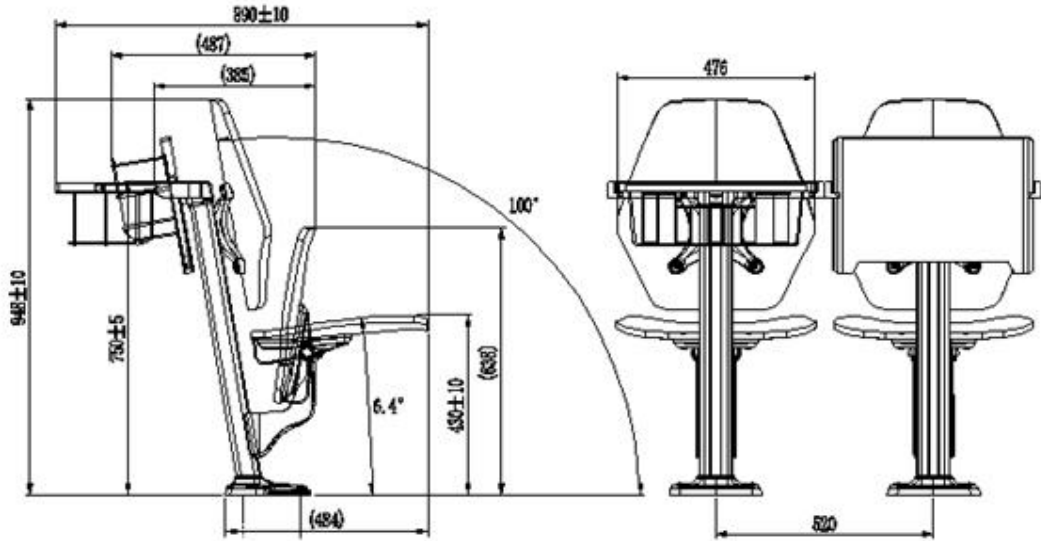


Straight configuration  
with fixed table



Curved configuration  
with foldable table

# DIMENSIONS

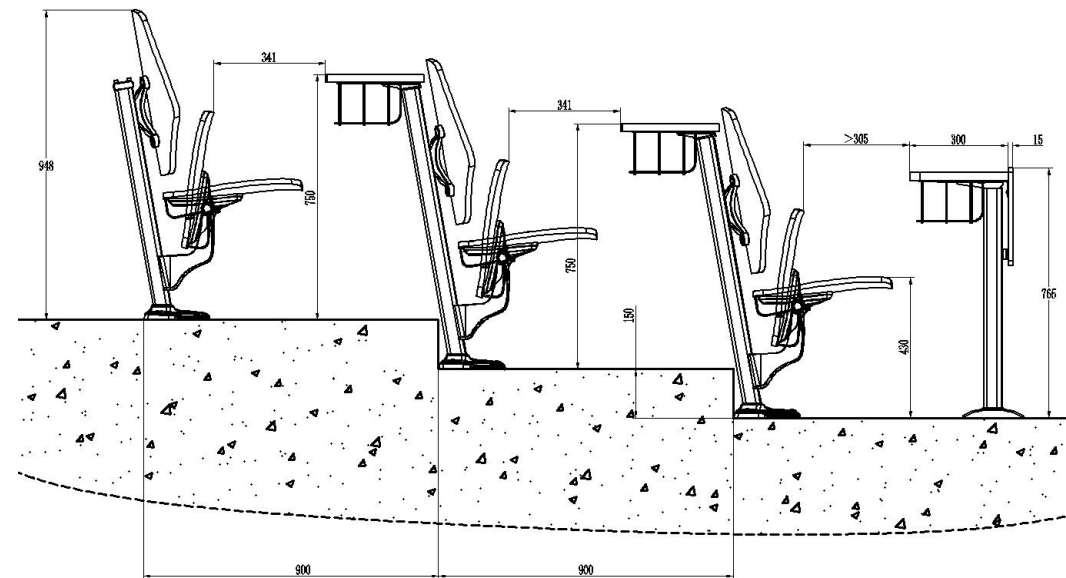
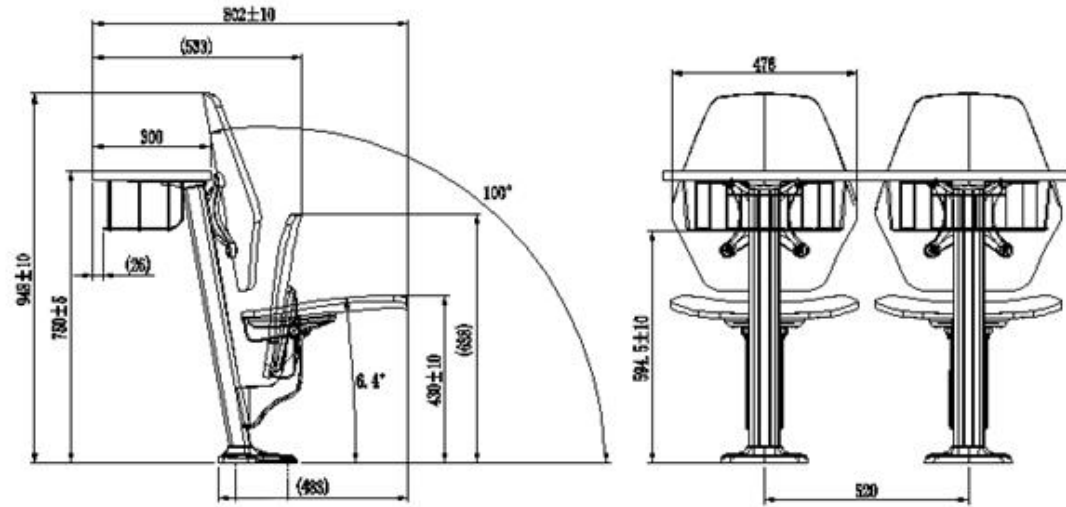


ALANO LS-421A foldable table

Description	MM	INCH
C/C (center to center)	520	20.47
Front row table top width	300	11.81
Front row overall height	765	30.12
Middle row depth with seat and table opened	890	24
Middle row depth with seat and table closed	487	19.17
Middle row overall height	948	37.32
Floor to seat height	430	16.93
Floor to table top height	750	29.53
Minimum row spacing	900	35.4

Note: A tolerance of ±10 mm (0.4") is allowed for the above dimension.

# DIMENSIONS



ALANO LS-421 fixed table

Description	MM	INCH
C/C (center to center)	520	20.47
Front row table top width	300	11.81
Front row overall height	765	30.12
Middle row depth with seat opened	802	31.57
Middle row depth with seat closed	533	20.98
Middle row overall height	948	37.32
Floor to seat height	430	16.93
Floor to table top height	750	29.53
Minimum row spacing	900	35.4

Note: A tolerance of ±10 mm (0.4") is allowed for the above dimension.











# LEADCOM

Your New Seating Experience

## HEAD OFFICE

Guangzhou Leadcom Seating Co. Ltd.

 14/F, Yinhui Building, No. 117 Longyi Road, Tianhe District, Guangzhou, Guangdong, China 510635

 0086 400 885 5535

 0086 20 8562 6075

 [info@leadcomseating.com](mailto:info@leadcomseating.com)

## CANADA OFFICE

 2275 Upper Middle Rd. East, Suite 101, Oakville, ON L6H 0C3


 +1 289 813 2301

 +1 289 975 5133


 [wtang@leadcomseating.com](mailto:wtang@leadcomseating.com)

## EUROPE OFFICE

Leadcom Europe B.V

 C. De Haasweg 30D, 3721 TK Bilthoven, The Netherlands

 +31 (0) 30 260 0347

 [info@leadcomseating.nl](mailto:info@leadcomseating.nl)

## MAIN FACTORY

 No. 10th, Section D, High-tech Industrial Zone, Leping Town, Sanshui District, Foshan City, Guangdong Province, China 528100