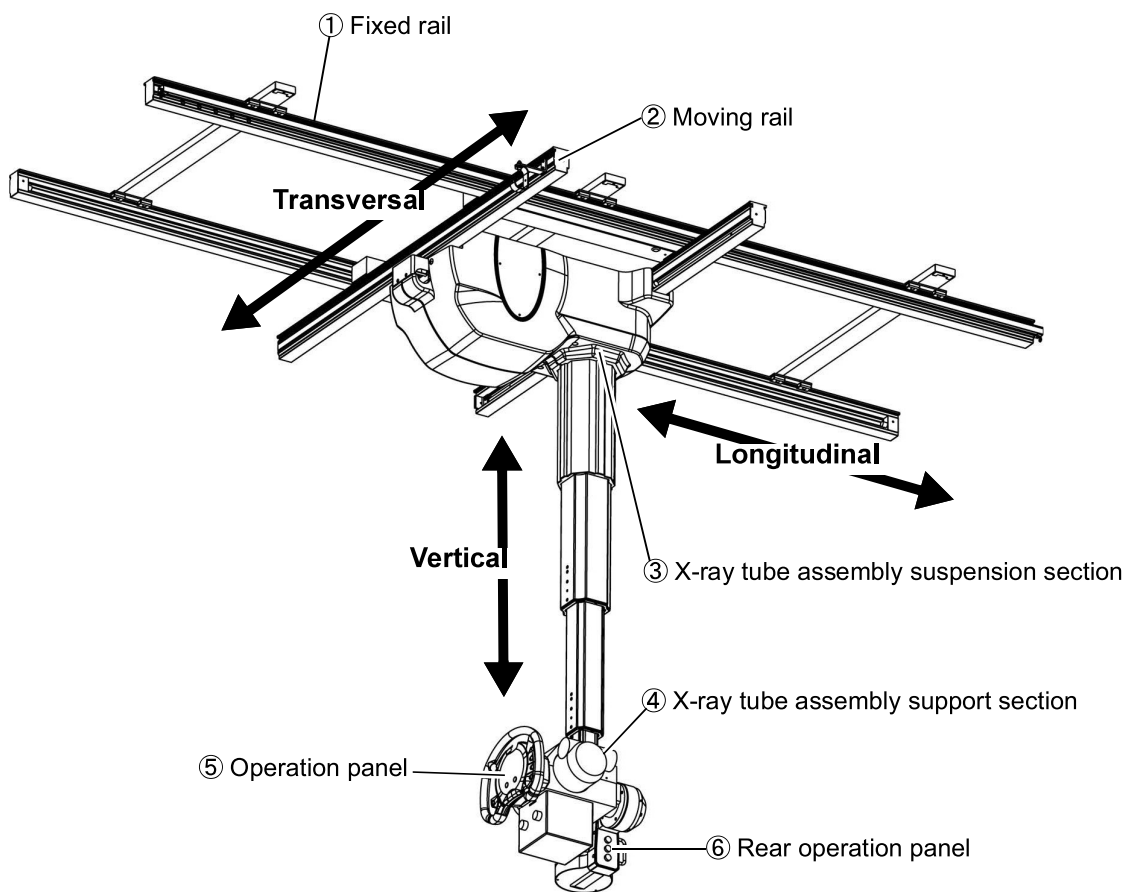


2.1 Configuration

This ceiling tube support consists of the following components.



*: Equipment suitable for use in the patient environment.

Figure 2.1 Configuration