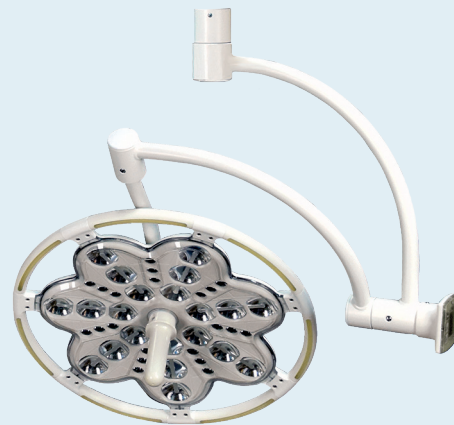


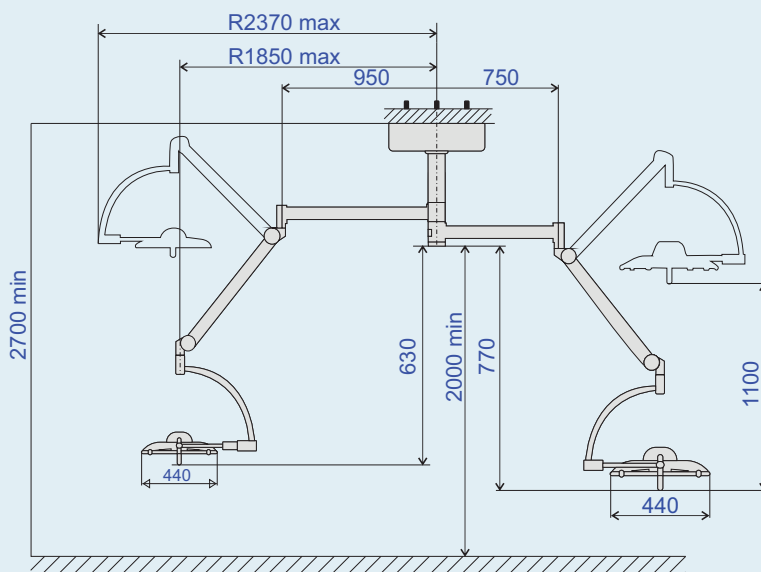


The surgical light combination EMALED 300/300 grants a high light quality and optimal illumination for diagnostical examinations and surgical interventions. The 4-step focusing via the control panel with LCD display enables to adapt the light field as needed.



## TECHNICAL DETAILS

|   | EMALED 300                | EMALED 300+                     |
|---|---------------------------|---------------------------------|
| Illumination (at 1 m)                     | 140.000 lx per light head | up to 160.000 lx per light head |
| Lighting intensity                        | 10 - 100 %                | 10 - 100 %                      |
| Focusable diameter of lightning field D10 | 150 - 300 mm              | 150 - 300 mm                    |
| Operating distance                        | 70 - 150 cm               | 70 - 150 cm                     |
| Colour temperature                        | 4.500 K                   | 4.500 K                         |
| Colour rendering index                    | 96 Ra                     | 96 Ra                           |
| Life expectancy                           | 50.000 hrs                | 50.000 hrs                      |
| Diameter of light head                    | 440 mm                    | 440 mm                          |
| Number of LEDs                            | 42                        | 42                              |
| Frequency                                 | 47 - 63 Hz                | 47 - 63 Hz                      |
| Power consumption                         | 24 VA                     | 24 VA                           |
| Weight of lighting element                | 4,0 kg                    | 4,0 kg                          |
| Weight of complete system                 | 95 kg                     | 95 kg                           |



- High light quality through natural colour rendering
- Barely noticeable heating of the light head
- No movable parts in the light head
- Low maintenance requirements
- Adjustable illumination in 10 steps
- Powder coated aluminum case
- High flexibility: 360° rotation horizontal
- Two autoclavable handles are included (additional handles can be ordered any time)
- 4-step focusing via the control panel with LCD display