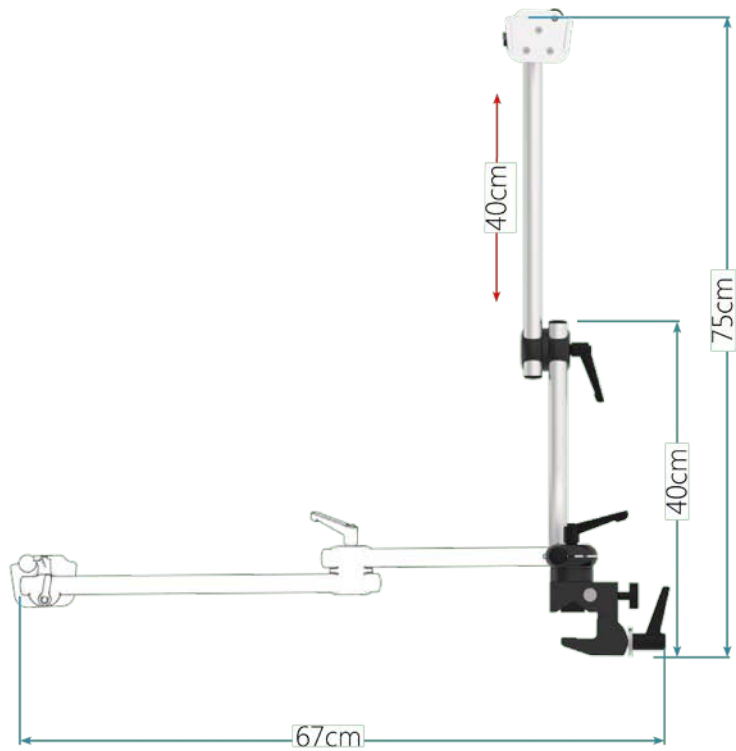
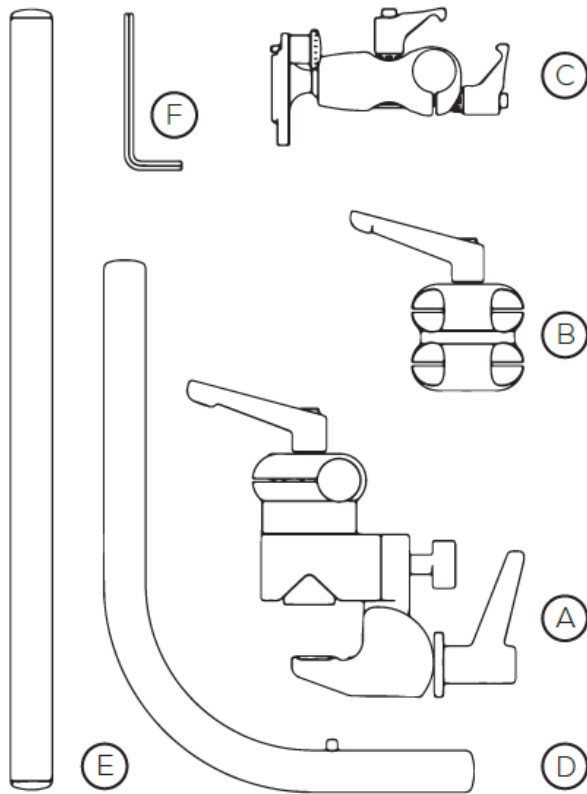


Table Mount for Communication Device



Table mounting system with Clamp base, two tubes and levers.
Includes Device Socket





Mounting kit

- (A) = 1x Tableclamp
- (B) = 1x QuickShift
- (C) = 1x UDS
- (D) = 1x L-Tube
- (E) = 1x 40cm (16") Tube
- (F) = 1x Allen Key

