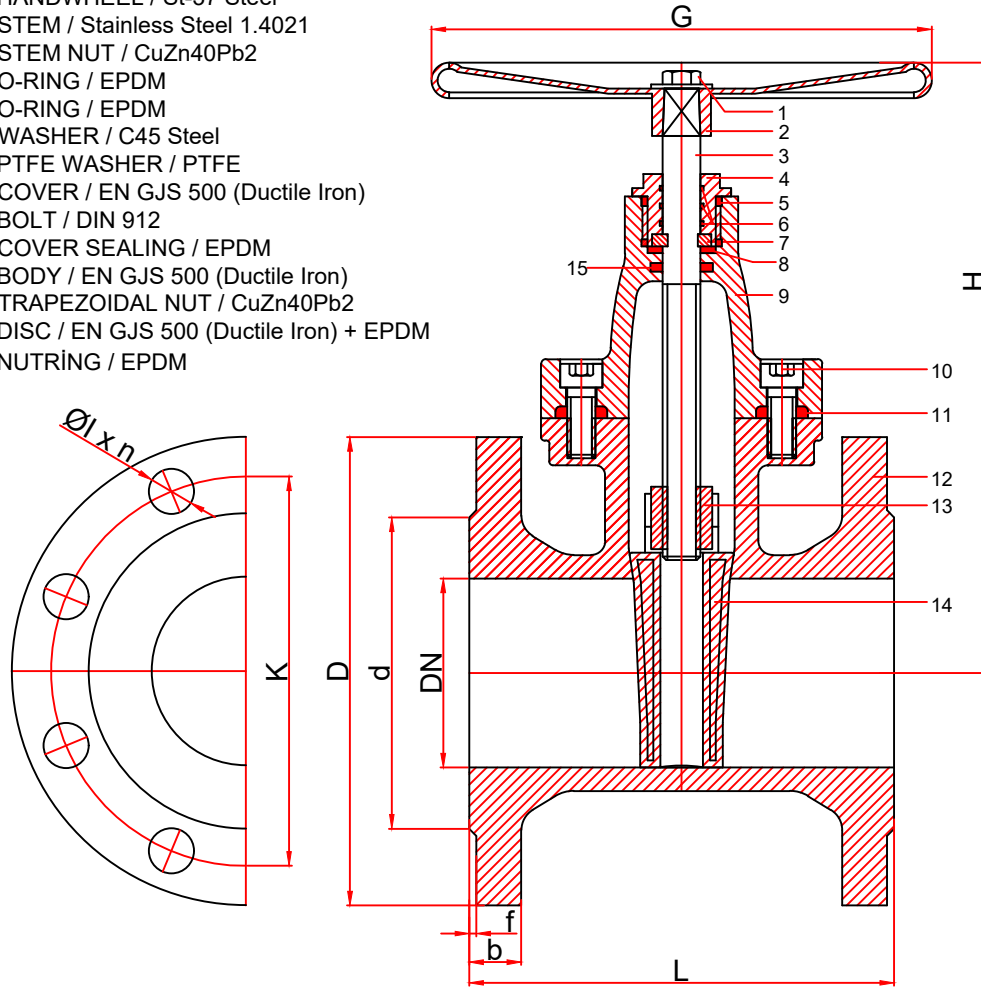



NO MATERIAL LIST

1. BOLT / DIN 933
2. HANDWHEEL / St-37 Steel
3. STEM / Stainless Steel 1.4021
4. STEM NUT / CuZn40Pb2
5. O-RING / EPDM
6. O-RING / EPDM
7. WASHER / C45 Steel
8. PTFE WASHER / PTFE
9. COVER / EN GJS 500 (Ductile Iron)
10. BOLT / DIN 912
11. COVER SEALING / EPDM
12. BODY / EN GJS 500 (Ductile Iron)
13. TRAPEZOIDAL NUT / CuZn40Pb2
14. DISC / EN GJS 500 (Ductile Iron) + EPDM
15. NUTRING / EPDM



PRODUCTION STANDARDS		
DESIGN	EN 1171	
END CONNECTION	FLANGED EN 1092-2 / ISO 7005-2	
FACE TO FACE	EN 558 SERİ 14 / DIN 3202 F4	
MARKING	EN 19	
PRESSURE RATING	PN16	
TEST	EN 12266-1	
VALVE PRESSURE TEST		
SHELL STRENGTH	SHELL TIGHTNESS	SEAT TIGHTNESS
24 Bar	18 Bar	18 Bar

DIMENSIONS									
DN (mm)	D	K	d	Øl x n	f	b	L	H	G
40	150	110	89	19x4	3	19	140	209	180
50	165	125	96	19x4	3	19	150	213	180
65	185	145	115	19x4	3	19	170	246	180
80	200	160	129	19x8	3	19	180	266	200
100	220	180	154	19x8	3	19	190	300	200
125	250	210	180	19x8	3	19	200	346	250
150	285	240	208	23x8	3	19	210	389	250
200	340	295	262	23x12	4	20	230	493	350
250	400	355	319	28x12	4	22	250	590	350
300	455	410	370	28x12	4	24,5	270	665	350
350	520	470	429	28x16	4	26,5	290	832	500
400	580	525	480	31x16	4	30	310	907	500
450	640	585	548	31x20	4	31,5	330	987	500
500	715	650	609	34x20	4	32	352	1101	650
600	840	770	720	37x20	5	36	392	1267	650

SKETCHER	NAME	DATE	SCALE	PRODUCT NAME	PN16 GATE VALVES (F4)	
	Y.BOZKURT	8.12.2023	1/3			
CONTROL	Ö.ÇAKIR	8.12.2023				REVISION:00
						FAF 6000