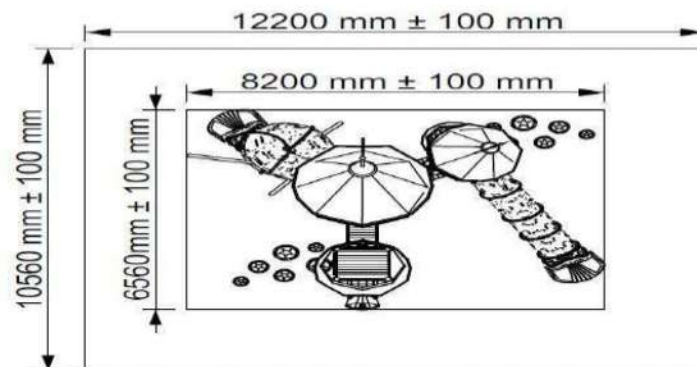


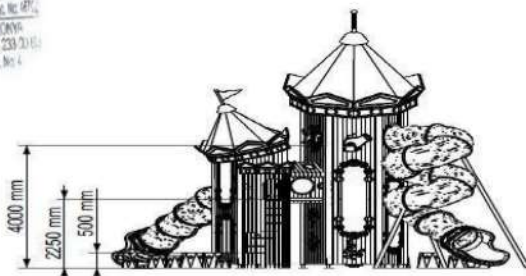
### YN-102 GAME GROUP TECHNICAL SPECIFICATION



### TECHNICAL DRAWING OF THE PRODUCT



**MID GROUP** MUSTAFA DORNA  
 MUSTAFA DORNA İNŞAAT  
 ANONİM ŞİRKETİ  
 Sokak Y.C. ÇAYIRLI Mahallesi No: 100/100/100/100 Tel: 0332 233 2111  
 Ülk: HONOLULU - Ülke: ABD - Şehir: SEPTEMBER KONYA  
 Tel: (444 288 777) 332 233 2111  
 St: İsmail Paşa Cd. 3. Organize San. Bölgesi H. Sk. No: 4  
 Tel: 0332 402 1079 Selçuklu/Konya



### Technical specifications

**INSTALLATION AREA: 8.2m X 6.56m X 8,455 m**

**SAFETY AREA: 12.2m X 10.56m**

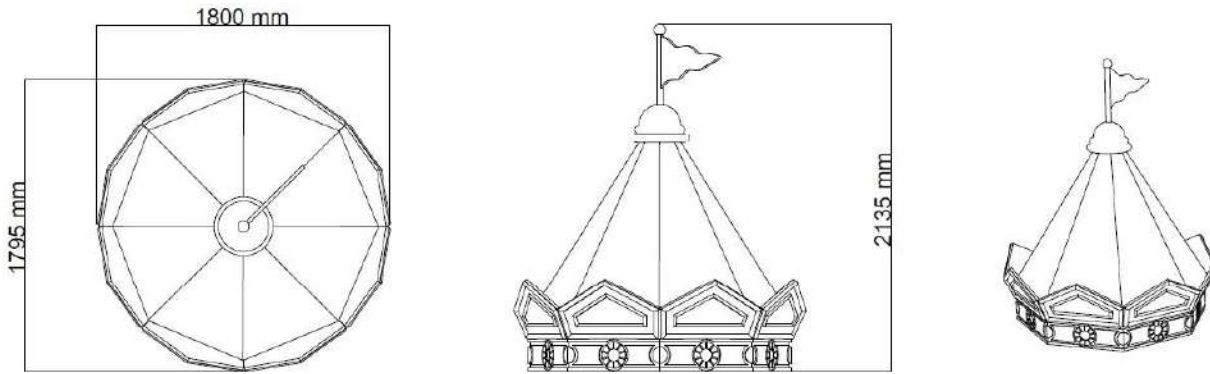
### CONSTRUCTION

Play complex with 3 towers and slides.

**Two towers with a roof made of 6 pcs of 90 x 90 mm wooden posts. The platform with the hexagonal surface made of impregnated wood.**

A roof made of 18 mm thick, water-resistant, industrially processed birch plywood is mounted on the upper parts of the pillars. The density of the material is 700 kg/m<sup>3</sup> with processed surfaces, without chips, cracks or other defects that could cause harm to children, being protected and colored by impregnation and covered with paint.

Roof dimensions: 1795x1800x2135 mm with plywood elements of various shapes.

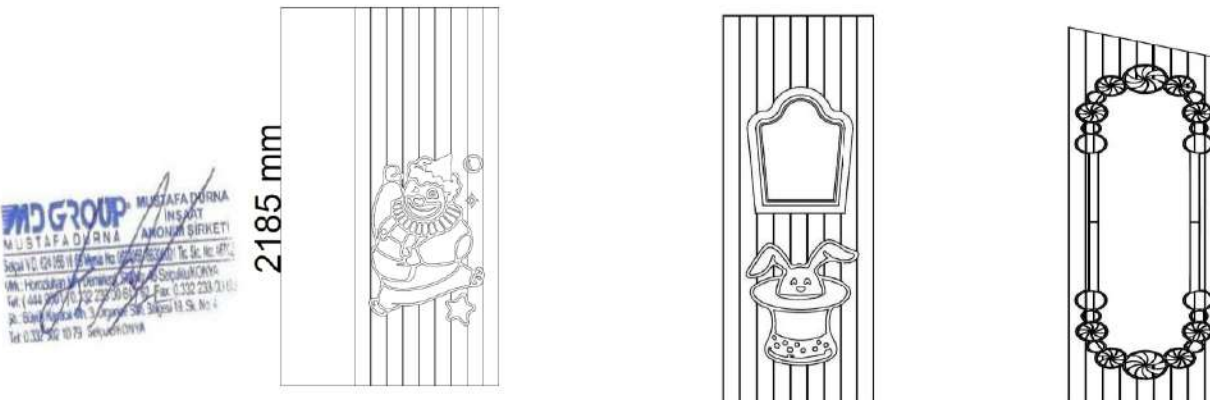


**A tower with a half roof made of 4 wooden posts of 90 x 90 mm. The surface of the tower platform will be square and made of impregnated wood, with an area of 1 m<sup>2</sup>.**

On the upper parts of the pillars there is a semi-roof made of 18-thick, water-resistant industrially processed birch plywood with a density of 700 kg/m<sup>3</sup>. The processed surfaces, without chips, cracks or other defects that could cause harm to children, being protected and colored by vacuum impregnation with preventive protection products and by being covered with paint.

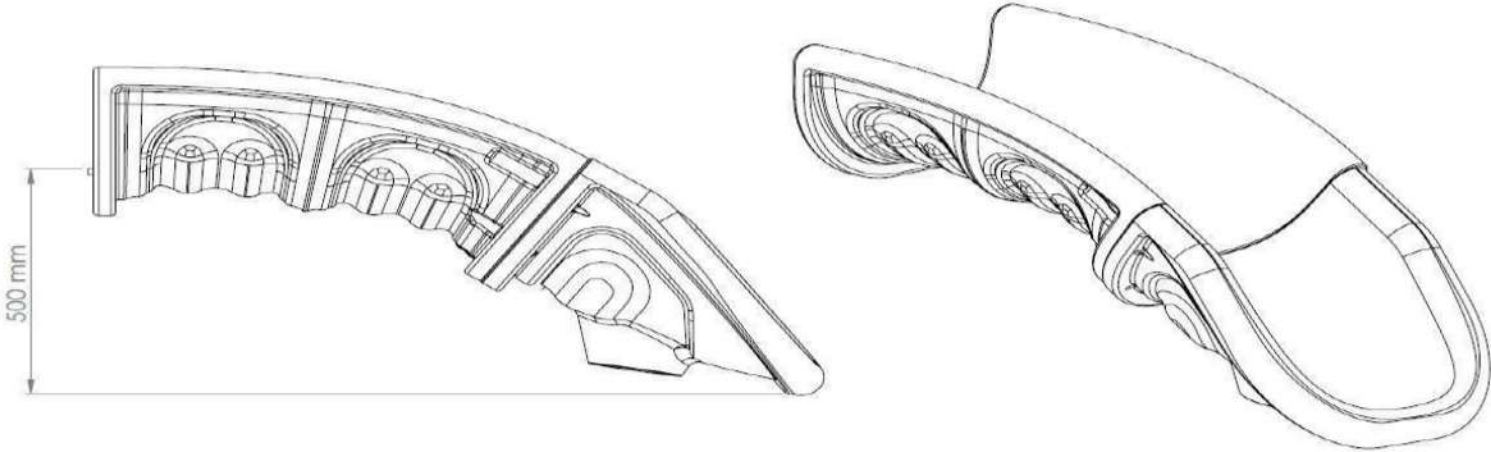
### The walls of the towers

18 mm thick, water-resistant, industrially processed birch plywood boards with a density of 700 kg/m<sup>3</sup> will be fixed to the tower pillars. The processed surfaces, without chips, cracks or other defects that could cause injury to children, being protected and colored by vacuum impregnation with preventive protection products, and coating with paint. And decorated with various decorative elements created by the CNC Router method.



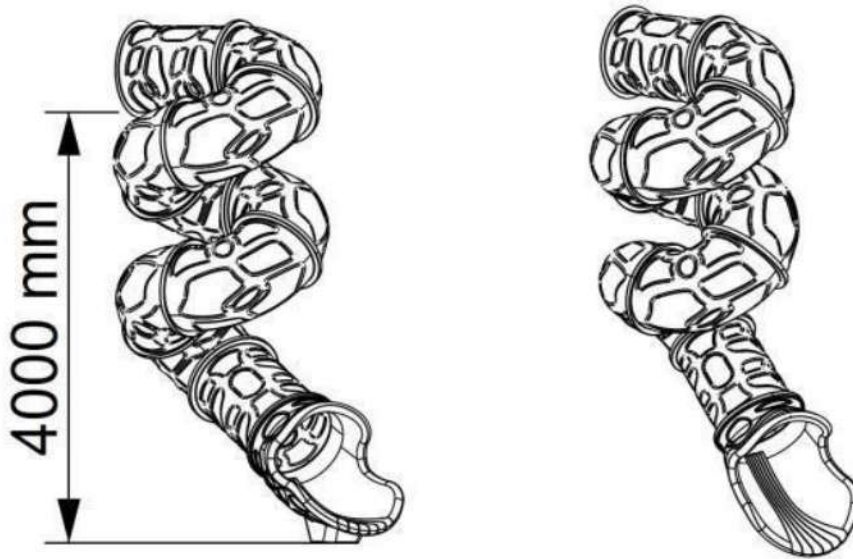
1-piece straight slide made of LLDPE with double walls that connects to the semi-roof tower. At the bottom, it is anchored in concrete. For the safety of children, protective elements made of LLDPE are provided at the entrance to the slide.

The dimensions of the slide: length - 75 cm, width 50 cm



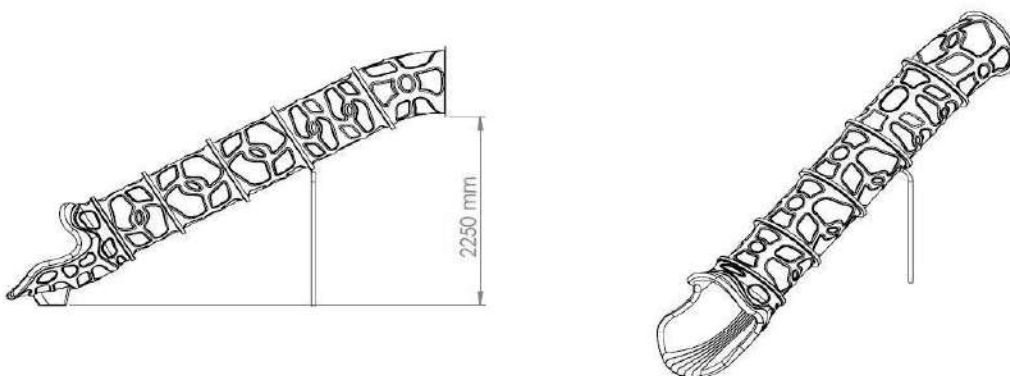
1 piece spiral tube chute made of double walled LLDPE and will attach to the tower. At the bottom they will be anchored in concrete. For the safety of children, protective elements made of LLDPE will be provided at the entrance to the slide.

Dimensions: length – 4000 cm, diameter 75 cm



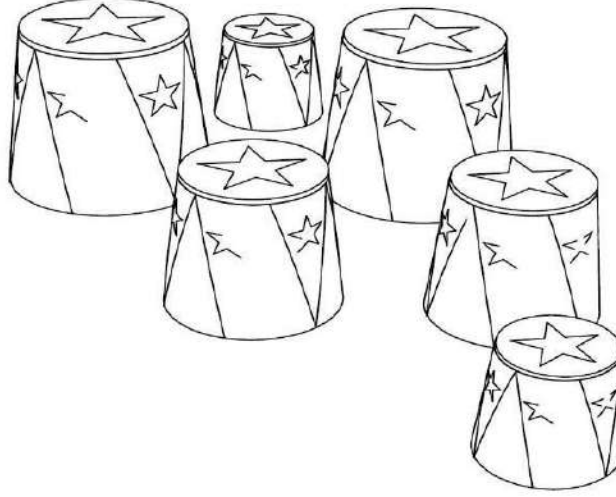
1-piece straight tube slide made of LLDPE with double walls that connects to the tower. At the bottom, it is anchored in concrete. For the safety of children, protective elements made of LLDPE are provided at the entrance to the slide.

Dimensions: length – 2250 cm, diameter 75 cm



External staircase 2 pieces at the entrances to the tower, made of 6 pine logs processed by vacuum impregnation with protective products covered with paint.

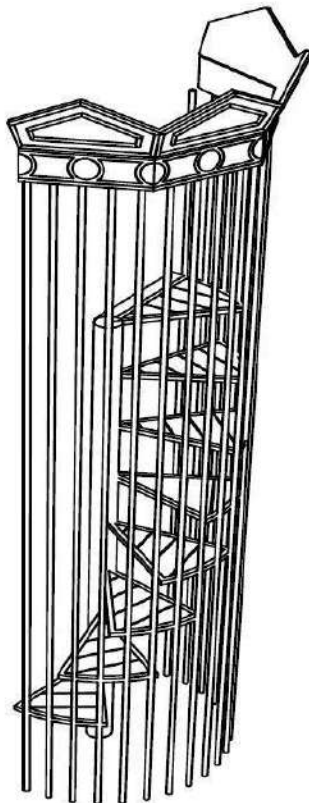
Diameter 30-50 cm and h 20-50 cm.



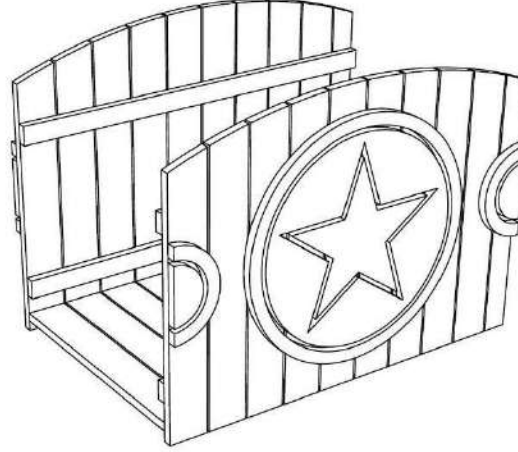
Vertical access ladder with semi-roof 1 piece with a height of 350 cm, connected to the tower with a roof made of steel and birch wood panels (40x90mm) processed by vacuum impregnation with preventive protection products, and covered with paint.

The roof will be made of 18 mm thick, water-resistant, industrially processed birch plywood with a material density of 700 kg/m<sup>3</sup> with processed surfaces, without chips, cracks or other defects that could cause harm to children, being protected and colored by vacuum impregnation with preventive protection products, and covered with paint.

A railing made of 32 mm diameter steel pipes will be provided.



Deck without a roof 1 piece with a length of 100 cm and a railing 50 cm high, made of steel and birch wood panels (40x90 mm) processed by vacuum impregnation with preventive protection products, and covered with paint.



Deck with roof 1 piece with a length of 100 cm and a railing with a roof of 225 cm high, made of birch wood panels (40x90mm) with processed surfaces, without chips, cracks or other defects that could cause harm to children, being protected and colored by vacuum impregnation with preventive protection products, and covered with paint.

