

Anexa 13

Achiziție cărucior medical

Lista cerințelor și specificațiilor

Cărucior medical					
NUME, CATEGORIA ȘI CODIFICARE					
Parametrii			Specificație minimă așteptată	Caietul de sarcini propus (de completat de ofertant)	Documentul de referință / broșura / pagina în care informațiile furnizate pot fi verificate de către comisia de evaluare
1	Nume generic	căruciorul este folosit pentru a transporta containere și materiale între camerele contaminate și cele curate din centrele de sterilizare. Fabricat din oțel inoxidabil de calitate 304. Are patru roți pivotante, două dintre ele cu sistem de frânare.		MODEL: 999M0BMST000 Producător: Steelco S.p.a. Țara: Italia	
CARACTERISTICI TEHNICE ȘI CARACTERISTICI FIZICE					
2	CADRU, CORP	design deschis	da	DA	pag. 29 din broșura CSSD furniture & small equipment
3	DATE	Oțel inoxidabil de calitate 304	da	DA AISI 304	pag. 29 din broșura CSSD furniture & small equipment
		marginii / bariere care înconjoară partea superioară, cu excepția părții operatorului, pentru a preveni căderea materialului	da	DA	pag. 29 din broșura CSSD furniture & small equipment
		Dimensiuni 120x65x150 cm, ±5 cm, cu 4 rafturi	da	DA 120 x 600 x 180 cm	pag. 29 din broșura CSSD furniture & small equipment
		Are patru roți pivotante, două dintre ele cu sistem de frânare.	da	DA	pag. 29 din broșura CSSD furniture & small equipment

		Proiectat pentru a suporta o încărcătură de minim 80 Kg	da	DA	
INSTRUIRE, INSTALARE SI UTILIZARE					
4	Transport	Furnizorul trebuie să includă transportul până la unitatea medicală finală	da	DA	
5	Instalare	Furnizorul trebuie să efectueze verificările de instalare, siguranță și funcționare înainte de predare, instruire pentru utilizatori și tehnicieni	da	DA	
GARANȚIE ȘI ÎNTREȚINERE					
6	Garanție și deservire completă (inclusiv piese de schimb)	minim 24 de luni	da	DA	
DOCUMENTAȚIE					
7	Cerințe de documentare	Toate documentele justificative, manualele de operare, de service trebuie prezentate în limba de stat sau în limba engleză. Manualul de utilizare/Instrucțiunile de utilizare trebuie prezentate în limba engleză și în limba de stat.	necesar	DA	
SIGURANȚĂ ȘI STANDARDE					
8	Standarde pentru producător	1. Certificat de conformitate CE și sau Declarația de conformitate CE	toate certificatele trebuie prezentate în copii cu ștampila de confirmare	DA	Certificate atasate

Technical Specification



Rev.: 10.05.2016

999M0BMST000

Medium shelf trolley with adjustable shelves

Features:

- Shelves adjustable every 110mm
- 125mm easy roll non marking castors on shelving frame

Dimensions:

LxWxH mm: 1200 x 600 x 1800

LxWxH inch: $47\frac{1}{4}$ x $23\frac{5}{8}$ $70\frac{7}{8}$

Materials:

S.s. AISI 304



RELATED



999M0BLSWS00

Stainless steel wire shelf



999M0BMSSS00

Stainless steel solid shelf





CSSD furniture & small equipment

Complete workflow solutions



Miele

Group
Member



CSSD Furniture and small equipment

Complete workflow solutions

Properly designed central sterilization departments facilitate the efficient one-way flow of instruments between soiled, clean and sterile areas, reduce the risks to staff and patients of cross contamination whilst providing an optimal work environment.

The items in this brochure have been carefully selected from Steelco's extensive experience in supplying complete CSSD solutions.

Driven by customer needs

Steelco is a leading infection control solution provider, supplying the healthcare, laboratory research and pharma sectors. Active in over 100 countries, Steelco has equipped numerous world renown hospitals and counts among its customers household names in the laboratory, pharmaceutical and industrial sectors.

Driven by customer feedback, Steelco develops, manufactures and supplies solutions that maximize infection control safety, optimize processes and minimize costs. Our focus on innovation has led us to become leaders in areas such as automation.

Whether you are just wishing to replace a single small machine or designing and equipping a large central CSSD, Steelco and it's factory trained distributors are here to help you make the best decision possible that works for you and then support you every step of the way.



SOILED GOODS AREA

- Manual cleaning workstations p. 7
- Wall and floor cabinets p. 9
- Accessories p. 12
- Small ultrasonic cleaners p. 16

CLEAN AREA

- Packing tables p. 19
- Accessories to configure workstations p. 23
- Tables for general use p. 24
- Pouch sealers p. 25

STERILE AREA

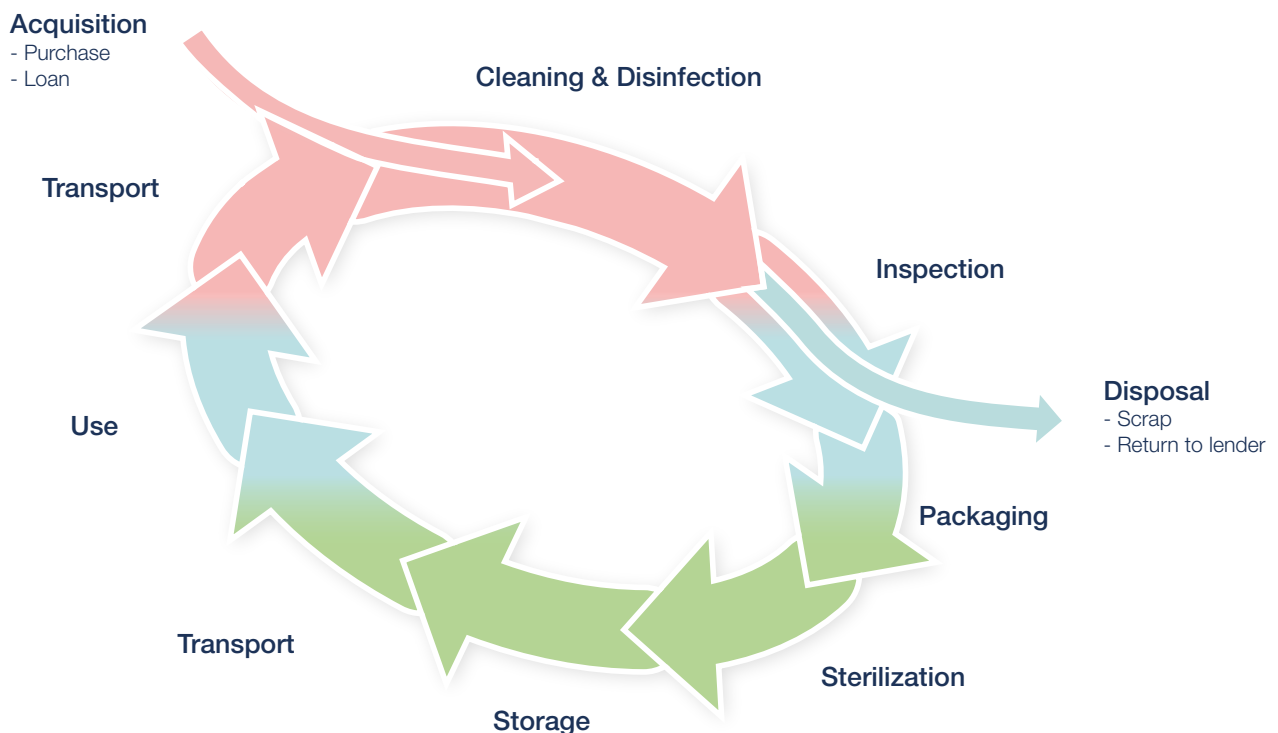
- Mobile open storage and transportation p. 29
- Closed instrument carts p. 33
- Shelving systems p. 37
- Filing and pass-through cabinets p. 43



Complete workflow solutions to meet customer needs

Whether working in a small clinic, a large centralised CSSD or an outsourced reprocessing centre, having efficient and reliable equipment is only part of the solution.

Steelco provides complete workflow solutions from when an instrument is used on a patient, through transportation, manual and automated cleaning, inspection, packaging, sterilization, storage and transportation, delivered ready and safe for use again.



Layout design and planning to unlock the power of the best equipment

Steelco understands that all CSSD facilities are different in terms of size, layout configuration, type and volume of instruments being reprocessed, level of automation, staffing levels as well as local regulations and work practices.

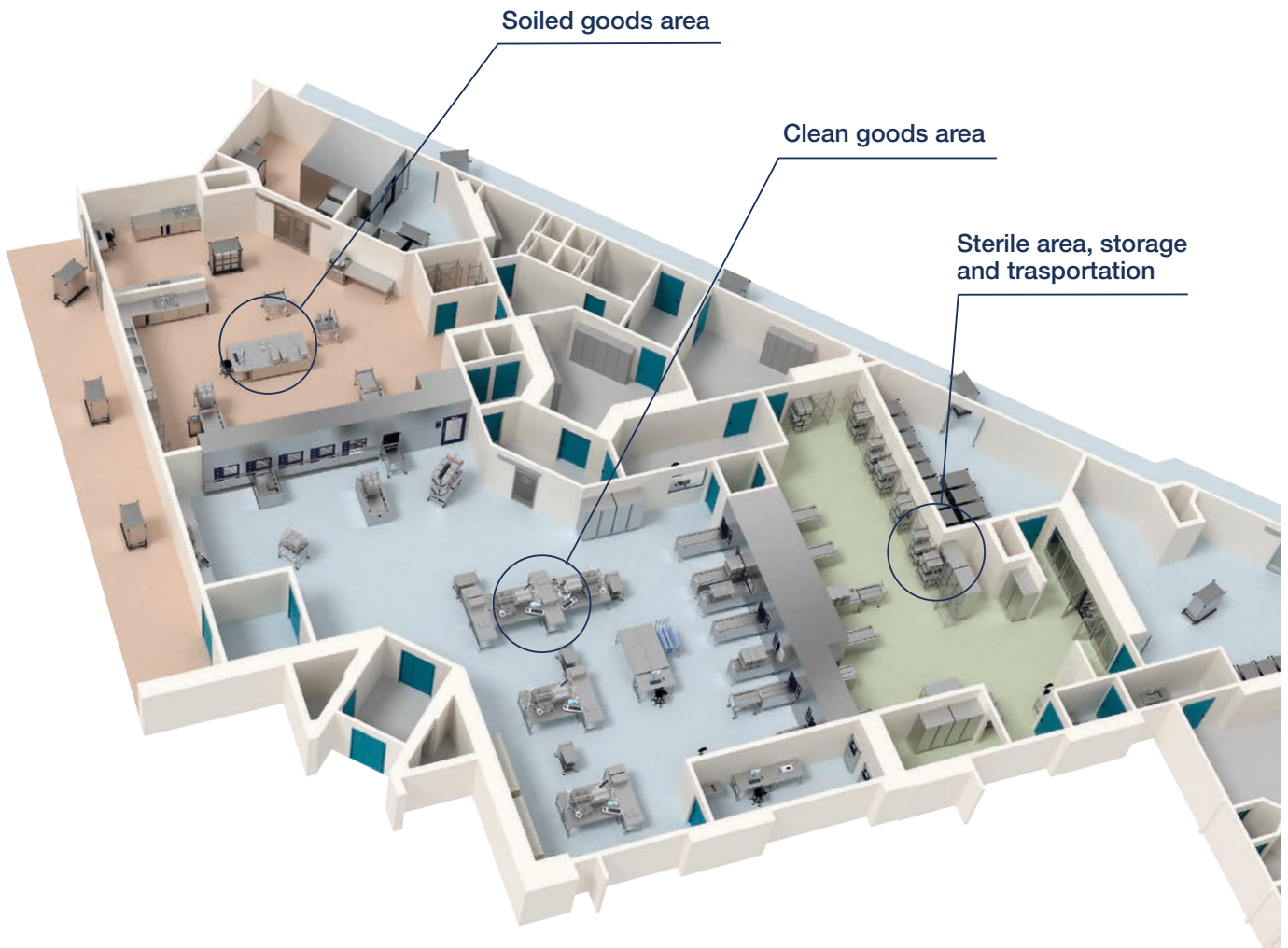
We appreciate that you are not buying a single piece of equipment, accessory or consumable. You expect that any investment in your facility, however large or small will help towards improving your goal of having the right instrument, at the right time in the right place that is safe to use, all whilst staying within budget.

With the development of minimal invasive and robotic surgery instrumentation, CSSDs need to reprocess increasingly complex lumen instruments. By working closely with instrument manufacturers, Steelco can provide safe and efficient reprocessing solutions for complex instruments.

A comprehensive range of equipment and accessories to maximize performance

This brochure contains the elements needed for designing the optimal solution for equipping individual facilities with furniture, small equipment and accessories specifically designed to comply with standards and work practices found in modern CSSDs.

Chapters are divided into the 3 zone CSSD barrier system:



Our team of planners has considerable experience in designing solutions that cover both new build and refurbishing current facilities. We can either use existing client drawings or prepare new proposals to best meet a customer's expectations whilst respecting budget needs.

Steelco has an especially strong track record in undertaking complex automation projects or customizing solutions in existing departments with architectural challenges



SOILED GOODS AREA

Soiled instruments and other used goods arrive from the operating room, wards and various departments in containers and baskets. Department layouts are designed to handle different type of goods and reprocessing requirements which may include manual cleaning and ultrasonic processing prior to cleaning and disinfection in washers and cart washers.

Furniture in this wet area is of the highest quality AISI 304 stainless steel and TIG welded for seamless smooth edges that are easy to clean and includes:

- Manual cleaning workstations
- Wall and floor cabinets
- Small equipment and accessories



Manual cleaning workstations

Steelco's modular system is flexible and designed around operator workflow. Stainless steel units are factory built and delivered pre assembled according to customer specifications for easy onsite installation.

Wall cabinet units

A choice of single or double width stainless steel 400mm - 15 3/4" deep wall cabinets feature a variable height shelf for easy access. Available as open wall units or fitted with either sliding or hinged doors that are handle free to eliminate dirt traps and ease cleaning.

Sink units

Two sink sizes in either single or double configuration can be seamlessly integrated into the centre or left or right hand side of worktops. A choice of faucets can be specified as well as water/air guns or a sink dosing system that monitors correct detergent dosing and water temperature.



Worktops and built in ultrasonic units

A stainless steel worktop is in either 600mm - 23 5/8" or 700mm - 27 9/16" depth, matching the length of base cabinets. A built in ultrasonic unit can be factory fitted for a smooth integrated finish.

Base units

600mm - 23 5/8" and 700mm - 27 9/16" depth, open, hinged or sliding door base units. Also available with 3 or 4 drawers.

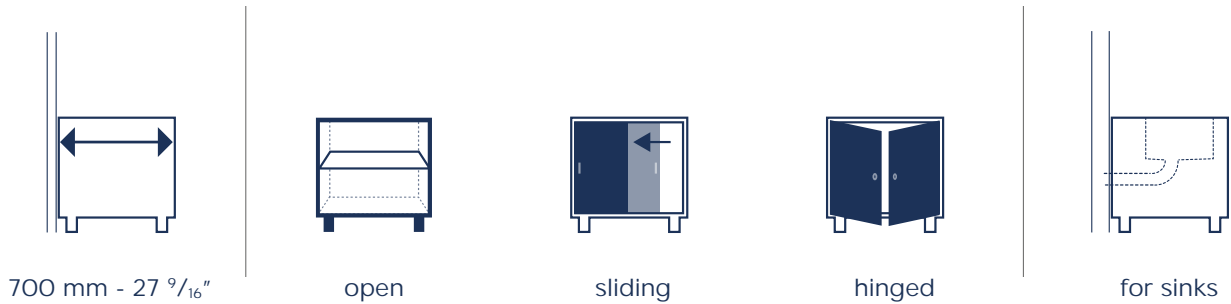


CREATING A WET AREA WORK STATION

To ensure the right workstation configuration, it is important to plan the tasks that will be performed and the flow of dirty instrument before loading them into automatic washer disinfectors. Steelco's factory trained distributors can work with you and also rely on the support of Steelco's layout planning department to configure workstations to best meet your needs.

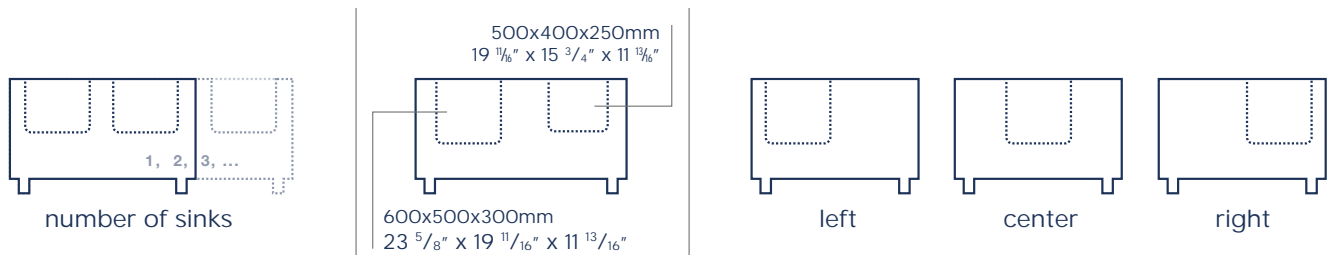
Step 1 Choose depth and design of the base cabinets

Select base cabinets: open design or with a choice of sliding or hinged doors or drawer system. Separate versions available depending whether unit(s) will contain a sink(s). Cabinets for sinks have dedicated catalogue numbers, do not contain a shelf and have a cut out for piping.



Step 2 Select sinks

Number, size and location of sinks in the workstation.

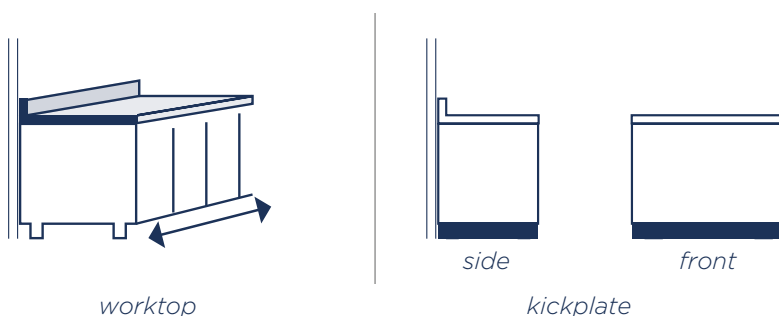


Step 3 Select accessories

Type of faucet, spray guns and other accessories such as built in ultrasonic unit.

Step 4 Select worktop and kickplate

Select worktop length as total length of cabinets. Standard worktop splash guard is 100mm - 3 ¹⁵/₁₆" high. Add a kickplate if needed in the same length as cabinets and any open ends.



WALL CABINETS

A choice of single or double width stainless steel 400mm - 15³/₄" deep cabinets feature a variable shelf for easy access. Available as open wall units or fitted with either sliding or hinged doors that are handle free to eliminate dirt traps and ease cleaning.

Open wall cabinets

code	description
999CAW000546	Open wall cabinet, 1 adjustable shelf 500x400x600mm - 19 ¹¹ / ₁₆ "x15 ³ / ₄ "x23 ⁵ / ₈ "
999CAW000646	Open wall cabinet, 1 adjustable shelf 600x400x600mm - 23 ⁵ / ₈ "x15 ³ / ₄ "x23 ⁵ / ₈ "
999CAW001046	Open wall cabinet, 1 adjustable shelf 1000x400x600mm - 39 ³ / ₈ "x15 ³ / ₄ "x23 ⁵ / ₈ "
999CAW001246	Open wall cabinet, 1 adjustable shelf 1200x400x600mm - 47 ¹ / ₄ "x15 ³ / ₄ "x23 ⁵ / ₈ "



Hinged single and double door wall cabinets

999CAWH00546	Wall cabinet, 1 hinged door, 1 adj. shelf 500x400x600mm - 19 ¹¹ / ₁₆ "x15 ³ / ₄ "x23 ⁵ / ₈ "
999CAWH00646	Wall cabinet, 1 hinged door, 1 adj. shelf 600x400x600mm - 23 ⁵ / ₈ "x15 ³ / ₄ "x23 ⁵ / ₈ "
999CAWH01046	Wall cabinet, 2 hinged doors, 1 adj. shelf 1000x400x600mm - 39 ³ / ₈ "x15 ³ / ₄ "x23 ⁵ / ₈ "
999CAWH01246	Wall cabinet, 2 hinged doors, 1 adj. shelf 1200x400x600mm - 47 ¹ / ₄ "x15 ³ / ₄ "x23 ⁵ / ₈ "



Sliding single and double door wall cabinets

999CAWS01046	Wall cabinet, sliding doors, 1 adjustable shelf 1000x400x600mm - 39 ³ / ₈ "x15 ³ / ₄ "x23 ⁵ / ₈ "
999CAWS01246	Wall cabinet, sliding doors, 1 adjustable shelf 1200x400x600mm - 47 ¹ / ₄ "x15 ³ / ₄ "x23 ⁵ / ₈ "



BASE CABINET UNITS

700mm (27⁵/₉ inches) depth open, hinged or sliding door base units.
600mm (23⁵/₈ inches) depth open available in price list.

Open base unit with adjustable shelf

code	description
999CAB000578	500 x 700 x 860mm - 19 ¹¹ / ₁₆ " x 17 ⁹ / ₁₆ " x 33 ⁷ / ₈ "
999CAB000678	600 x 700 x 860mm - 23 ⁵ / ₈ " x 17 ⁹ / ₁₆ " x 33 ⁷ / ₈ "
999CAB001078	1000 x 700 x 860mm - 39 ³ / ₈ " x 17 ⁹ / ₁₆ " x 33 ⁷ / ₈ "
999CAB001278	1200 x 700 x 860mm - 47 ¹ / ₄ " x 17 ⁹ / ₁₆ " x 33 ⁷ / ₈ "



Base unit with hinged door(s) and adjustable shelf

code	description
999CABH00578	500 x 700 x 860mm - 19 ¹¹ / ₁₆ " x 17 ⁹ / ₁₆ " x 33 ⁷ / ₈ ", 1 door
999CABH00678	600 x 700 x 860mm - 23 ⁵ / ₈ " x 17 ⁹ / ₁₆ " x 33 ⁷ / ₈ ", 1 door
999CABH01078	1000 x 700 x 860mm - 39 ³ / ₈ " x 17 ⁹ / ₁₆ " x 33 ⁷ / ₈ ", 2 doors
999CABH01278	1200 x 700 x 860mm - 47 ¹ / ₄ " x 17 ⁹ / ₁₆ " x 33 ⁷ / ₈ ", 2 doors





Base unit with sliding doors and adjustable shelf

code	description
999CABS01078	1000 x 700 x 860mm - 39 ³ / ₈ " x 17 ⁹ / ₁₆ " x 33 ⁷ / ₈ "
999CABS01278	1200 x 700 x 860mm - 47 ¹ / ₄ " x 17 ⁹ / ₁₆ " x 33 ⁷ / ₈ "



BASE CABINET UNITS FOR SINKS

700mm (27 ⁵/₉ inches) depth open, cabinet for sink with sliding doors.
600mm (23 ⁵/₈ inches) depth open available in price list.

Base unit with 2 sliding doors for sinks

code	description
999CABSS1078	1000 x 700 x 860mm - 39 ³ / ₈ " x 17 ⁹ / ₁₆ " x 33 ⁷ / ₈ "
999CABSS1278	1200 x 700 x 860mm - 47 ¹ / ₄ " x 17 ⁹ / ₁₆ " x 33 ⁷ / ₈ "
999CABSS1578	1500 x 700 x 860mm - 59 ¹ / ₁₆ " x 17 ⁹ / ₁₆ " x 33 ⁷ / ₈ "



Base unit with hinged doors for sinks

code	description
999CABHS1078	1000 x 700 x 860mm - 39 ³ / ₈ " x 17 ⁹ / ₁₆ " x 33 ⁷ / ₈ ", 2 doors
999CABHS1278	1200 x 700 x 860mm - 47 ¹ / ₄ " x 17 ⁹ / ₁₆ " x 33 ⁷ / ₈ ", 2 doors
999CABHS1578	1500 x 700 x 860mm - 59 ¹ / ₁₆ " x 17 ⁹ / ₁₆ " x 33 ⁷ / ₈ ", 3 doors



KICKPLATE

Stainless steel kickplate for enclosing base of cabinets.
To be ordered according to length of base cabinet and any open ends.

code	description
999CABW08000	Kickplate



STAINLESS STEEL WORKTOPS

Stainless steel worktops with 100mm - 3¹⁵/₁₆" splash guard available in either 600mm - 23⁵/₈" or 700mm - 27⁹/₁₆" depth to match the depth of base units. Worktops need to be ordered by length, according to the length of base units.
To ensure access through facility doors, lengths over 3m are not suggested

code	description
999CABW08060	600mm - 23 ⁵ / ₈ " wide sold by metre
999CABW08070	700mm - 17 ⁹ / ₁₆ " wide sold by metre



ULTRASOUND INSTALLATION IN BENCHTOP

Ultrasound unit flush mounted installation requires a base cabinet unit for sinks.

code	description
999CABULINST	Installation of US 10, US 18, US 21, US 28 ultrasonic units into worktop (choose ultrasonic unit separately)
999CABULINSI	Installation of US 46 ultrasonic unit into worktop (choose ultrasonic unit separately)
Installation detail on technical specifications	



SINKS

Fully welded AISI 304 stainless steel and seamlessly integrated into worktops, sinks are available in large or small sizes and can be ordered as a single or double configuration for installation on the left, middle or right hand side of worktops into cabinets for sinks underneath.

Sink type	Left	Center	Right
↔▲ Small single sink	999CABLSS542	999CABCSS542	999CABRSS542
↔↕ Small double sink	999CABLSD542	999CABCSD542	999CABRSD542
↔▲ Large single sink	999CABLLS653	999CABCLS653	999CABRLS653
↔↕ Large double sink	999CABLLD653	999CABCLD653	999CABRLD653
↔↔↕ Large triple sink	999CABLLT653	999CABCLT653	999CABRLT653



- ↔ small sink dimensions: 500 x 400 x 250h mm - 19 11/16" x 15 3/4" x 9 13/16" h
- ↔ large sink dimensions: 600 x 500 x 300h mm - 23 5/8" x 19 11/16" x 11 13/16" h
- ▲ - Min. requirement 1m - 39 3/8" sink base ▼ - Min. requirement 1.2m - 47 1/4" sink base
- ◀ - Min. requirement 1.5m - 59 1/16" sink base ▶ - Min. requirement 2 x 1m - 39 3/8" sink bases

ENDOSCOPY WORKSTATION

To aid ergonomics and achieve high levels of decontamination, manual cleaning endoscope workstations have been designed to avoid having to coil the endoscope up in a sink. Designed to fit Steelco EPW 100 S unit. These units are fitted complete with worktops and hot/cold mixer taps with flexible shower included.

MANUAL FILLING SINK				
dimensions WxDxH mm	stainless steel sink	Corian® sink	fixed height	adjustable height
1200x700x900	9992477	9992447	•	
1600x700x900	9992479	9992467	•	
2000x700x900	9992481	9992469	•	
1200x700x850-1150	9992478	9992448		•
1600x700x850-1150	9992480	9992468		•
2000x700x850-1150	9992482	9992470		•





AUTOMATIC FILLING SINK

dimensions WxDxH mm	stainless steel sink	Corian® sink	fixed height	adjustable height
1200x700x900	99913220	99912641	•	
1600x700x900	99913129	99912640	•	
2000x700x900	99913223	99912642	•	
1200x700x850-1150	99913221	99912643		•
1600x700x850-1150	99913222	99912644		•
2000x700x850-11510	99913224	99912608		•



STAINLESS STEEL CABINET

500x700x950 stainless steel cabinet with 1 hinged door



FAUCET AND ACCESSORIES

If you wish to have sink pre drilled for taps, shower or accessories, please specify exact location.

Faucet

Mixer tap with manually operated long neck lever control for hot and cold water

999CABTLHC01



Faucet with shower head

Hot and cold tap with additional shower feature for pre cleaning

999CABTFHC00



Air/Water spray gun

Can be used with either water or compressed air. Features a lightweight aluminium body, heat insulated handle with trigger pressure controlling airflow or water spray. Not suitable for use with DI water.

999CABTAGN00



Accessories

8 nozzle accessory set for rinsing, suctioning and drying. Not suitable for use with DI water.

999CABTAGN80



Hega® stainless steel water/air gun

Hega® stainless steel water /air gun. Recommended if using DI or RO water in sink area.

9992243



Accessories

Tips for Hega stainless steel water /air gun

9992244



Hega® air/water gun wall support

9992804

LIQUID SOAP DISPENSER

code	description
999CABSD00000	Liquid soap dispenser



SPLASH GUARDS FOR SINKS

code	description
9992654	Height adjustable splash guard and support for sink



SINK DOSING SYSTEM

Flow based sink dosing system designed to deliver a precise volume of detergent eliminating the variability of manually filling. Can be linked into a centralised dosing system to eliminate the need to change detergent bottles. Additional standard features include temperature monitoring to ensure optimal detergent activity as well as a soak timer. Supplied complete with an easy to use installation kit. Options include a foot pedal for touchless operation and low level alarm for the detergent bottle.

code	description
999DOS000001	Flow based sink dosing system with installation kit
999DOS000002	Foot pedal for hands free sink dosing
999DOS000003	Detergent low level alarm



MANUAL POWER WASH FOR TROLLEYS

For the manual pre-cleaning or cleaning of carts and other furniture. Water pressure driven between 2 to 6 bar up to 50°C/122°F, does not need connection to power or steam supply. Automatic dosing of detergent.

Comes complete with wall mounting kit, cleaning gun, 15m - 49ft length hose and stainless steel 1/2" to 3/4" connection kit.

code	description
999MTPW00000	Manual power wash for trolleys





WALL MOUNTED EYE WASH SINK

Wall mounted eyewash sink with stainless steel bowl and intuitive easy to use large activation handle.

code	description
99912316	Wall monted eye wash sink



TRANSPORT TROLLEY FOR DECONTAMINATION CONTAINERS

Used to transport instruments in sealed containers with liquid from OR to CSSD.

code	description
999MOBSC0005	Transport trolley for decontamination container dim 410 x 690 x 1000 h mm - 16 ¹ / ₈ " x 27 ³ / ₁₆ " x 39 ³ / ₈ "
999MOBSC0008	Plastic container with lid for transportation of contaminated instruments dim 400 x 600 x 230 h mm - 15 ³ / ₄ " x 23 ⁵ / ₈ " x 9 ¹ / ₁₆ "
9992303	Tap for transportation container



SUCTION PUMP FOR USE WITH LIQUID CONTAINERS

Foot pedal operated freestanding compact suction pump and aspiration hose with direct connection to drainage system. Of AISI 304 stainless steel construction with TIG welding and a durable pump, shipped complete with foot pedal to ensure hands free operation.

code	description
999MOBSC0006	Suction pump for use with liquid containers
999MOBSC0007	Suction pump integrated under bench



REFUSE BAG HOLDERS

Single or double free standing refuse bag holders are available as well as single wall mounted unit. For wall and free standing units options are a lid + hinge. Free standing units alternatively can be ordered with a push handle and either a lid + hinge or pedal system and lid. Different color lids are available on demand.

code	description
999RFB000001	Single refuse bag - mobile holder - 360x510x910mm - 14 ³ / ₁₆ "x20 ¹ / ₁₆ "x35 ¹³ / ₁₆ "
999RFB000002	Twin refuse bag - mobile holder - 735x510x910mm - 28 ¹⁵ / ₁₆ "x20 ¹ / ₁₆ "x35 ¹³ / ₁₆ "
999RFB000003	Single refuse bag - wall mounted holder 400x300x300 - 15 ³ / ₄ "x11 ¹³ / ₁₆ "x11 ¹³ / ₁₆ "
999RFB000004	Pedal system (only for mobile holder)
999RFB000005	Handle (only for mobile holder)
999RFB000006	Hinge for lid without pedal
999RFB000007	lid



Single refuse bag



Twin refuse bag



Single refuse bag,
wall mounted



Pedal system



Hinge for lid



lid



Handle





SMALL ULTRASONIC CLEANERS

In addition to the range of larger freestanding ultrasonic units that are highlighted in a separate leaflet, Steelco offers a range of small benchtop and built in ultrasonic units up to 1 DIN basket capacity. Irrespective of which size model is chosen, they all feature impressive performance with features usually associated with larger models.

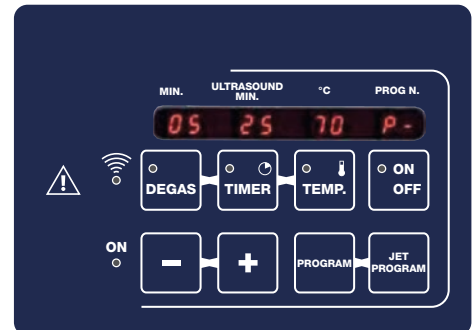


Steelco models: US 10, US 18, US 21, US 28

MAIN FEATURES

Depending on model:

- Adjustable degassing time to maximize process efficiency
- Sweep oscillation module to ensure powerful even coverage
- Storage capacity for up to 10 programs
- Waterproof membrane keyboard with LED display and sturdy handles
- Adjustable cleaning time from 0 to 99 minutes
- Temperature setting
- High output piezoelectric transducers
- Easy clean stainless steel body
- Lid and basket included as standard



Control panel of Steelco US 10 up to US 28 models



Steelco US 46 model



SMALL ULTRASONIC CLEANERS

Models and accessories

Model	US 10	US 18	US 21	US 28	US 46
Catalog number: free standing	999US10B0000	999US18B0000	999US21B0000	999US28B0000	-
flush mounted	999US10FM000	999US18FM000	999US21FM000	999US28FM000	999US46FM000
External dimension LxWxH	400x270x370mm 15 ³ / ₄ "x10 ⁵ / ₈ "x14 ⁹ / ₁₆ "	440x340x410mm 17 ⁵ / ₁₆ "x13 ³ / ₈ "x16 ⁷ / ₈ "	600x330x410mm 23 ⁵ / ₈ "x13"x16 ⁷ / ₈ "	600x330x410mm 23 ⁵ / ₈ "x13"x16 ⁷ / ₈ "	660x460x290mm 26"x18 ¹ / ₈ "x11 ⁷ / ₁₆ "
Tank dimension LxWxH	300x240x150mm 11 ¹³ / ₁₆ "x9 ⁷ / ₁₆ "x5 ¹⁵ / ₁₆ "	330x300x200mm 13"x11 ¹³ / ₁₆ "x7 ⁷ / ₈ "	500x300x150mm 19 ¹¹ / ₁₆ "x11 ¹³ / ₁₆ "x5 ¹⁵ / ₁₆ "	500x300x200mm 19 ¹¹ / ₁₆ "x11 ¹³ / ₁₆ "x7 ⁷ / ₈ "	600x400x220/260mm 23 ⁵ / ₈ "x15 ³ / ₄ "x8 ¹¹ / ₁₆ -10 ¹ / ₄ "
Capacity	9.5 l - 2.64 gal US	18 l - 4.75 gal US	21 l - 5.55 gal US	28 l - 7.4 gal US	46 l - 12.15 gal US
W peak power	400	600	800	1000	2400
Power connection*	230/240V - 50/60Hz	230/240V - 50/60Hz	230/240V - 50/60Hz	230/240V - 50/60Hz	230/240V - 50/60Hz
Degasing function	•	•	•	•	•
Adjustable cleaning time: 0-90 minutes	•	•	•	•	0 - 30
Heating power	300	500	1000	1000	-
Adjustable cleaning temperature to 70°C/158°F	•	•	•	•	display and alarm
10 program storage capacity with jet function	•	•	•	•	1 program
Adjustable time degas programme	•	•	•	•	automatic
Frequency and sweep system 38kHz to 40kHz	•	•	•	•	•
Lid and basket included	•	•	•	•	◦
Accessories					
Basket catalogue number	999US10BA000	999US18BA000	999US21BA000	999US28BA000	999US46BA000
Optional stainless steel immersion basket (ø71x60mm h - ø2 ³ / ₄ "x2 ³ / ₈ "h)	999USSSB000				
Basket holder	-	-	-	-	999US46BG000
Hinged lid with gas spring and EPDM gasket	-	-	-	-	999US46HG000
Ultrasound installation**	999CABULINST				999CABULINS1

* Not available for sale in USA

** Ultrasound unit flush mounted installation requires a base cabinet unit for sinks.

• = Standard ◦ = Option - = Not available



CLEAN AREA

Following automated cleaning and disinfection, goods are not sterile but are safe to handle and ready to be sorted, inspected and packed. Steelco has a modular approach to designing and building packing workstations around operators according to the tasks they need to perform. This helps to maximize productivity and safety whilst at the same time creating ergonomic solutions and a pleasant work environment.

Furniture in this area is of the highest quality AISI 304 stainless steel and TIG welded for seamless smooth edges that are easy to clean and include:

- Packing tables
- Accessories to configure workstations
- Pouch sealers
- Tables for general use



PACKING WORKSTATIONS

To ensure the right workstation configuration, it is important to plan the tasks that will be performed and how much countertop space is needed to work effectively and safely. Steelco' factory trained distributors can work with you and also rely on the support of Steelco' layout planning department to configure workstations to best meet your needs.



Low reflection stainless steel top is standard.
High pressure white core top can be alternatively ordered.





CUSTOM CONFIGURED WORKSTATIONS

Creating a customized workstation is easy thanks to Steelco's modular approach.

Step 1 Choose a basic table configuration

For packing workstations, Steelco recommends tables with fixed legs and height adjustable worktops without shelves so that operators can sit or stand comfortably at the optimal ergonomic height. Tables fitted with a shelf are not recommended as they are not compatible with an under counter cupboards, drawers or PC holder.

Tables suitable for workstations are available in length from 1200mm - 47¹/₄" to 2200mm - 86³/₅".

description	code	+	dimensional code					
Fixed height table	999TAF00	+	1200	1400	1600	1800	2000	
Electrically height adjustable table	999TAV00	+		1400	1600	1800	2000	2200
Fixed height table with wheels	999TAFOW	+	1200	1400	1600	1800	2000	
Electrically height adjustable table with wheels	999TAVOW	+		1400	1600	1800	2000	2200
Fixed height table with betacryl® top	999TAFNO	+		1400	1600	1800	2000	
Electrically height adjustable table with betacryl® top	999TAVNO	+		1400	1600	1800	2000	2200
Fixed height table with betacryl® top and wheels	999TAFNW	+		1400	1600	1800	2000	
Electrically height adjustable table with betacryl® top and wheels	999TAVNW	+		1400	1600	1800	2000	2200
			47 ¹ / ₄ "	55 ¹ / ₈ "	63"	70 ⁶ / ₇ "	78 ³ / ₄ "	86 ³ / ₅ "

1200 and 1400mm (55¹/₈") can only accept 1 x support for baskets and accessories. 1600mm (63") and above tables can accept 1 or 2

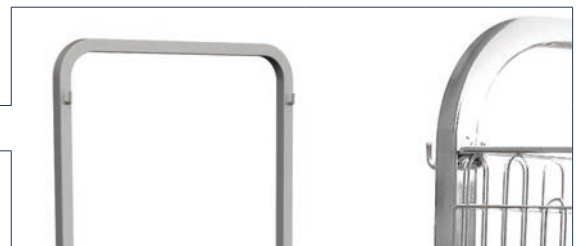
Electrical height position with 4 memory keys 999TAV54M000



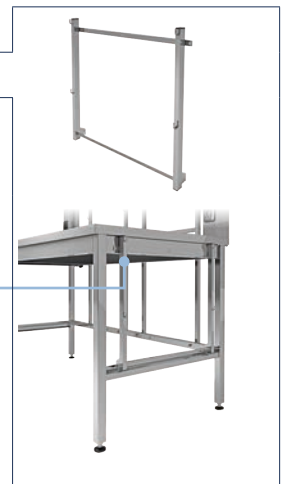
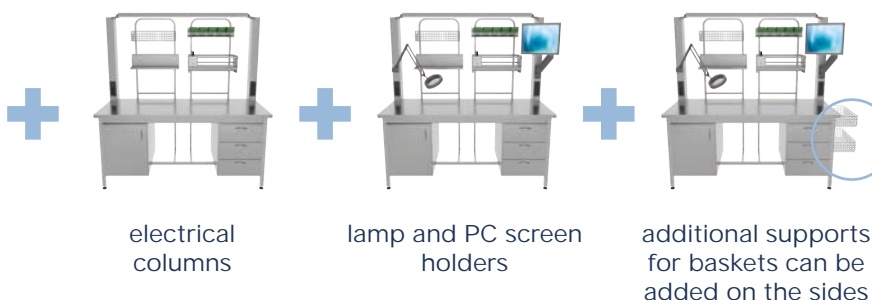
Step 2 Choose supporting structures - Support for baskets and accessories

The Support for baskets and accessories, which is attached to the back of the table, supports numerous different shelves, basket and dispenser options. 1200/1400mm tables can have 1 support fitted with either 1 or 2 for tables 1600mm - 63" or longer.

code	description
999TAASU0000	Support for baskets and accessories H=1015mm



999TAADI0005 Support for suspending 1 or 2 baskets on the side of tables



Step 3 Choose the accessories that you need

Accessories that are suitable for attaching to the support for baskets and accessories 999TAASU0000, can be easily attached on several levels.

code	description
999TAALA0001	Lamp for tables 1200-1400-1600mm (in lieu of electrical columns)
999TAALA0002	Lamp for tables 1800-2000-2200mm 70 ⁷ / ₈ "-78 ³ / ₄ "-86 ⁵ / ₈ " (in lieu of electrical columns)



999TAACS0001	Container support with 6 units of 75mm container
999TAACS0002	Container support with 4 units of 120mm container
999TAACS0003	Container support with 3 units of 200mm container



code	description
999TAASH0001	Flat Shelf 630x350mm - 24 ¹³ / ₁₆ "x 13 ¹³ / ₁₆ "
999TAASH0003	Flat Shelf 1100mm - 43 ⁵ / ₁₆ width (requires two supports for baskets and accessories)
999TAASH0004	Flat Shelf 1500mm - 59 ¹ / ₁₆ width (requires two supports for baskets and accessories)



999TAADIO055	5 compartment tilt bin dispenser
999TAADIO003	3 tilt bin dispenser



999TAAPO0000	Pouch reel cutter size 630mm - 24 ¹³ / ₁₆
999TAAPO0001	Pouch reel holder



code	description
999TASSB0001	Storage basket high 575x275x260h mm - 22 ⁵ / ₈ "x10 ¹³ / ₁₆ "x10 ¹ / ₄ "
999TASSB0002	Storage basket high with window cut out mm 575 x 275 x 260h - 22 ⁵ / ₈ "x10 ¹³ / ₁₆ "x10 ¹ / ₄ "
999TASSB0003	Storage basket low mm 575 x 275 x 130h - 22 ⁵ / ₈ "x10 ¹³ / ₁₆ "x5 ¹ / ₈ "
999TASSB0004	Pair of inclined support for baskets

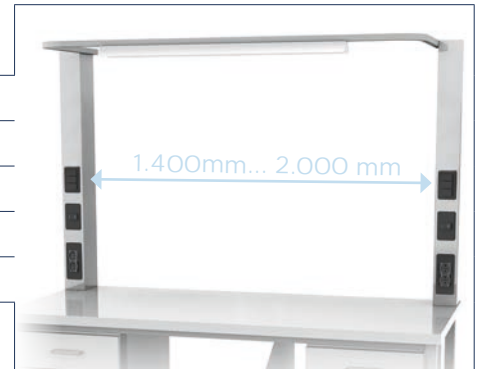




Step 4 Choose supporting structures - Electrical columns for tables

If overhead operator lighting, sockets, on /o switches are needed, the relevant pair of electrical columns based on the length of table top is selected. These also support the optional PC screen arm holder or magnifying lamp.

code	description
999TAAEL1400	1 Pair of electrical columns for table 1400mm - 55 ¹ / ₈ " long
999TAAEL1600	1 Pair of electrical columns for table 1600mm - 63" long
999TAAEL1800	1 Pair of electrical columns for table 1800mm - 70 ⁷ / ₈ " long
999TAAEL2000	1 Pair of electrical columns for table 2000mm - 78 ³ / ₄ " long
999TAAEL2200	1 Pair of electrical columns for table 2200mm - 86 ⁵ / ₈ " long






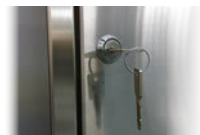
Electrical columns standard equipment is: 4 electrical sockets (Schuko type), 3 on/o switches (for: general, overhead light, magnifier light), overhead 2000 lumen light, supports for optional magnifying lamp or PC monitor holder.
Additional electrical sockets, on o switches, RJ 45 network sockets etc. Can be ordered according to customer needs.
Not available for sale in USA.

code	description
999TAALA0000	Examination lamp with x 5 magnification led (suitable for connection to electrical columns and table top)
999TAASUPC00	PC Screen arm holder up to 9 Kg. (for connection to electrical columns)



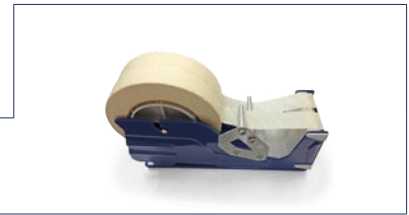
Step 5 Choose under worktop storage option

Select drawer units, cupboard or PC tower holder as needed

code	description	Image
999TAADR0001	1 drawer unit 150mm - 5 ⁷ / ₈ " high	
999TAADR0002	2 drawer unit 150mm - 5 ⁷ / ₈ " high each, total 300mm - 11 ¹³ / ₁₆ "	
999TAADR0003	3 drawer unit 150mm - 5 ⁷ / ₈ " high each, total 450 mm 17 ¹¹ / ₁₆ "	
999TAADR0004	Lock and key for a single drawer	

code	description	Image
999TAADR0005	PC holder	
999TAADR0007	Printer holder	
999TAADR0006	Cabinet LxWxH 450x600x630mm - 17 ³ / ₄ "x23 ⁵ / ₈ "x24 ¹³ / ₁₆ "	

code	description
9992091	Double tape dispenser, two rolls up to 25mm/1" wide or one up to 50mm/2" wide



STOOLS

Stool frames are made of AISI 304 stainless steel with a 5 spoke aluminium base mounted on 60mm antistatic castors with gas raising height adjustment between 550mm and 800mm. Available with comfortable padded standard or saddle seats. Available options include backrest, footrest and footbrake.

code	stools description
999STGPS0000	Stool with gas raising height adjustment and padded seat
999STGPD0000	Stool with gas raising height adjustment and padded saddle



code	stools accessories description
999ST0000001	Backrest
999ST0000003	Adjustable armrest
999ST0000004	Adjustable footrest
999ST0000005	Pedal brake



ACCESSORIES FOR WRAPS AND LINENS

Mobile trolley with bottom shelf for storing 4 types of wraps

999MOBWRAP04 Made of AISI 304 tubular stainless steel with large diameter castors with brakes for ease of movement and stability. Bottom shelf prevents any loose sheets falling onto the floor.
1360mm x 720mm x 1030mm
53⁹/₁₆" - 28³/₈" - 40⁹/₁₆"



Linen inspection window with LED lightbox

9992408 Linen inspection window with LED lightbox. Chose seperate packing table extra.





STAINLESS STEEL WORKTABLES

Made of high quality AISI 304 stainless steel, Steelco's CSSD worktables for wet or dry goods are robust and ideal for heavy-duty areas.

Reinforced frames ensure stability and durability with components TIG welded for joint free smooth surfaces to aid cleaning and maintain hygiene.



Available in lengths from 1200mm - 47¹/₄" to 2200mm - 86⁵/₈", tables are 800mm - 31¹/₂" wide, supplied either with fixed feet or with 360° rotating 125mm - 4¹⁵/₁₆" easy glide antistatic castors with brakes on 2 wheels.

To ensure optimal working ergonomics, tables are available either as fixed height or with manual or electrical adjustment with options of an integrated fixed or variable height shelf for storage purposes.

code	+ dimensional code	standard	with wheels	electrical adjustable height
999TAF00	+ 1200 1400 1600 1800 2000	•		
999TAF0W	+ 1200 1400 1600 1800 2000	•	•	
999TAV00	+ 1400 1600 1800 2000 2200			•
999TAV0W	+ 1400 1600 1800 2000 2200		•	•
	47 ¹ / ₄ " 55 ¹ / ₈ " 63" 70 ⁷ / ₈ " 78 ³ / ₄ " 86 ⁵ / ₈ "			

Height adjustable from 850 to 1150 mm

■ = suitable for packing tables

999TAASH0014	Stainless steel shelf for 1400-1600mm - 55 ¹ / ₈ "-63" tables (requires pair of supports for under table shelf)
999TAASH0018	Stainless steel shelf for 1800-2000-2200mm - 70 ⁷ / ₈ "-78 ³ / ₄ "-86 ⁵ / ₈ " tables (requires pair of supports for under table shelf)



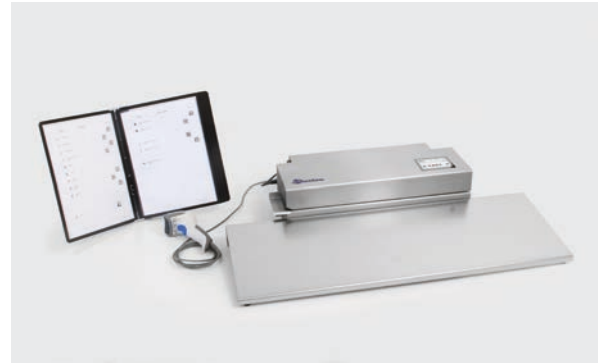
999TAV54M000	Electrical height position with 4 memory keys
--------------	---



STEELCO PS POUCH SEALER RANGE

The Steelco range of rotary pouch sealers and accessories ensure the aseptic integrity of single use sealable pouches including Tyvek® by consistently providing a perfect seal. Models feature validatable processes according to ISO 11607-2 and guidance document ISO/TS 16775 with the monitoring of temperature, contact pressure and sealing speed dependent on model to provide the optimum seal that is strong enough yet easy to peel.

Steelco sealers are made of robust stainless steel with flat surfaces for ease of cleaning and feature energy saving functions including automatic standby function. Versions are available with integrated printers that adjust the font size to the pouch width. Several models can be linked to instrument tracking systems and printers.



PS 400 POUCH SEALER

cod. 99912150



The most advanced pouch sealer available.

- ☑ Low energy consumption
- ☑ Intuitive 4.3" crystal clear touch screen display
- ☑ Advanced connectivity. Communication, programming and repeating function and integrated printer with automatic font size adjustment.



Easy to use display



Wide range of connectivity options

PS 300 POUCH SEALER

cod. 99911311



- ☑ Integrated printer with automatic font size adjustment.
- ☑ Adjustable sealing temperature, speed (up to 13 m per minute) and pressure with unit counter.
- ☑ Automatic standby and fast start up function to minimize energy use but maximize output.



Programmable and operated through colour touch screen panel or via a barcode scanner or external computer.



RS232, USB and Ethernet connection as standard.

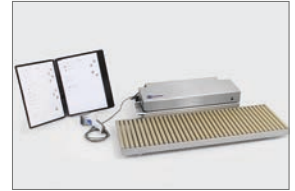


PS 200 POUCH SEALER

Check price list code for correct electrical voltage.



- ☑ Integrated printer with automatic font size adjustment.
- ☑ Programmable and operated via touch keys or via a barcode scanner or external computer. RS232 connection.
- ☑ Sealing temperature, speed and pressure monitoring according to ISO 11607-2.
- ☑ Automatic standby and fast start up function to minimize energy use.



PS 100 POUCH SEALER

Check price list code for correct electrical voltage.



- ☑ Programmable and operated via touch keys.
- ☑ Sealing temperature and pressure monitoring according to ISO 11607-2.
- ☑ Automatic standby and fast start up function to minimize energy use but maximize output.



ACCESSORIES

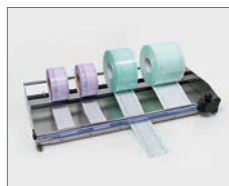
Accessories include single and twin level cutting devices, roller conveyor or tray that can be integrated into workstations to provide optimal workflow efficiency and user ergonomics.

PS Pouch seal cutter
For the storage and cutting of different size pouch reels.

cod. 99911314

2nd level reel storage available as option.

cod. 99911322



PS barcode scanner and software
Can operate PS 400, PS 300 and PS 200 sealers, with automatic assignment to the appropriate device function using barcode lists reading the custom specific packaging information.

cod. 99911313

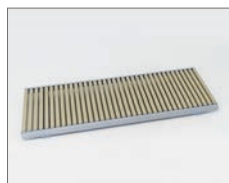


PS roller conveyor
Compatible with all Steelco PS pouch sealers.

W x D x H:

830 x 280 x 60mm

cod. 99911312



PS barcode printer
Prints labels with batch identification, sterilisation date, type, expiration.

cod. 99911321 Label printer for PS 400

cod. 99912565 Label printer for PS 300

cod. 99912566

Labels 49x38mm 1050 pcs

cod. 99912567

Labels 105x149mm 275 pcs



PS tray

Compatible with all Steelco PS pouch sealers.

W x D x H:

850 x 280 x 60mm

cod. 99911310



STEELCO PS POUCH SEALER RANGE SPECIFICATIONS

FEATURES	PS 400	PS 300	PS 200	PS 100
Sealing properties				
Sealing distance from edge	0-35 mm	0-35 mm	0-35 mm	0-35 mm
Seal width (up to 19mm on request)	12 mm	12 mm	12 mm	12 mm
Sealing speed	5-13m per min	5-13m per min	10m per min	10m per min
Distance to edge of instrument in pouch	> 30 mm	> 30 mm	> 30 mm	> 30 mm
Power	120 W	400 W	390 W	390 W
Sealable pouches and reels	•	•	•	•
Tyvek®, non woven, SMS and other EN ISO 11607-1 approved	•	•	•	•
Reverse feed	•	•	•	•
Sealing temperature	max 220°C/428°F	max 220°C/428°F	max 220°C/428°F	max 220°C/428°F
2°C temperature regulation tolerance with overheat protection	•	•	•	•
Contact pressure	100 N	70-130 N	100 N	100 N
Piece counter	•	•	•	
Printing	•	•	•	
Packaging time + date, expiry, batch, operator and device	•	•	•	
Automatic font size adjustment according to pouch size	•	•	•	
Print image rotation and print barcode	•	•		
Print out of sealing test parameters	•	•	•	
Communications				
RS 232	•	•	•	
USB	x2	•	◦	
Ethernet	•	•		
PC configurable with PC back up function	•	•	•	
External label printer connection	•	•		
Compatible with SteelcoData traceability system	•	•	•	
Barcode scanner compatible	•	•	•	
Standards and power supply				
Warranty	2 years	2 years	2 years	2 years
Compliance to ISO 11607-2, DIN 58953-7	•	•	•	•
Validatable process in accordance with ISO 11607-2	•	•	•	•
Monitor sealing temperature, contact pressure, speed	•	•	•	(only temperature and pressure)
Standby energy efficiency mode & autostart	•	•	•	•
Mains Voltage	100-240 V	100-240 V	110/115/230 V	110/115/230 V
Mains frequency	50/60 hz	50/60 hz	50/60 hz	50/60 hz
Settings recall and date readjust after power failure	•	•	•	•
Weight	15.5Kg	21Kg	15Kg	12Kg
Dimensions width x depth x height (mm/inches)	560 x 255 x 145 22 ¹ / ₁₆ x 10 ¹ / ₁₆ x 5 ¹¹ / ₁₆	710 x 260 x 240 27 ¹⁵ / ₁₆ x 10 ¹ / ₄ x 9 ⁷ / ₁₆	560 x 255 x 145 22 ¹ / ₁₆ x 10 ¹ / ₁₆ x 5 ¹¹ / ₁₆	510 x 255 x 145 20 ¹ / ₁₆ x 10 ¹ / ₁₆ x 5 ¹¹ / ₁₆

• = Standard ◦ = Optional

Tyvek® is a reg. Trademark of E.I. du Pont de Nemours



STERILE AREA - Storage and transportation solutions

Once goods have been sterilized, they are in the sterile zone and either transported immediately to their point of use or stored ready for transfer. Steelco has a number of different storage, transfer and transport solutions for DIN and ISO size containers as well as wrapped goods and pouches.

Shelving is available in both stainless steel and aluminium structures with solid or wire shelves or runners for baskets.

Pass through cabinet effectively separates the sterile area from the outside and enables the loading of containers and wraps into trolleys either from inside of the sterile area or from the outside.

Steelco's wide range of options enables you to make the best use of available space:

- Mobile open storage and transportation
- Closed instrument carts
- Shelving systems
- Filing and pass through cabinets

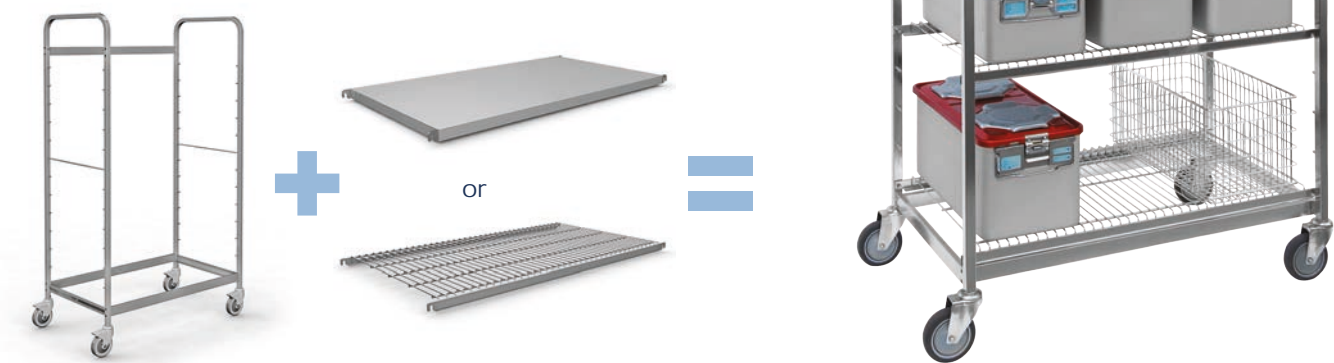


MOBILE OPEN STORAGE AND TRANSPORTATION

A wide range of different open mobile transport solutions meet the distribution needs of DIN and ISO basket or container systems and pouches with products available for internal storage and transportation within CSSDs or to their point of use.

Mobile open storage and transport systems are TIG welded, made of AISI 304 stainless steel and fitted with 2 fixed and 2 swivel antistatic wheels, with brakes to aid manoeuvrability and reduce floor wheel marks.

Steelco's mobile storage transport systems can if required be cleaned and disinfected in cart washers.



Mobile trolleys with shelves for baskets or containers

Available in 1000, 1200, 1400mm - 39³/₈" , 47¹/₄" , 55¹/₈" lengths these mobile shelf trolleys hold either solid or wire shelves that are adjustable every 110mm- 4⁵/₁₆". Mostly used within CSSDs.

code	description	dimension L x W x H
999MOBNST000	Narrow shelf trolley	600 x 600 x 1800mm - 23 ⁵ / ₈ " x 23 ⁵ / ₈ " x 70 ⁷ / ₈ "
999MOBNSSS00	Stainless steel solid shelf	600 x 540 - 23 ⁵ / ₈ " x 21 ¹ / ₄ "
999MOBNSWS00	Stainless steel wire shelf	600 x 540 - 23 ⁵ / ₈ " x 21 ¹ / ₄ "
999MOBCST000	Compact shelf trolley	1000 x 600 x 1800mm - 39 ³ / ₈ " x 23 ⁵ / ₈ " x 70 ⁷ / ₈ "
999MOBCSSS00	Stainless steel solid shelf	965 x 540 - 38" x 21 ¹ / ₄ "
999MOBCSWS00	Stainless steel wire shelf	1000 x 540 - 39 ³ / ₈ " x 21 ¹ / ₄ "
999MOBMST000	Medium shelf trolley	1200 x 600 x 1800 - 47 ¹ / ₄ " x 23 ⁵ / ₈ " x 70 ⁷ / ₈ "
999MOBMSSS00	Stainless steel solid shelf	1165 x 540 - 45 ⁷ / ₈ " x 21 ¹ / ₄ "
999MOBMSWS00	Stainless steel wire shelf	1200 x 540 - 47 ¹ / ₄ " x 21 ¹ / ₄ "
999MOBLST000	Large shelf trolley	1400 x 600 x 1800 - 55 ¹ / ₈ " x 23 ⁵ / ₈ " x 70 ⁷ / ₈ "
999MOBLSSS00	Stainless steel solid shelf	1350 x 540 - 53 ¹ / ₈ " x 21 ¹ / ₄ "
999MOBLSWS00	Stainless steel wire shelf	1400 x 540 - 55 ¹ / ₈ " x 21 ¹ / ₄ "



Mobile distribution trolley for 10 SPRI baskets

Holds up to 10 baskets with a solid bottom shelf.
Suitable for distribution of goods between CSSD and OR or wards.

code	description	dimension L x W x H
999MOB10SPRI	Mobile Distribution trolley for up to 10 SPRI baskets	650 x 450 x 1925mm 25 ¹⁹ / ₃₂ " x 17 ²³ / ₃₂ " x 75 ²⁵ / ₃₂ "

See page 48 for suitable SPRI baskets and shelves

Covers available as option on request.



Mobile trolley for containers

Designed for the distribution of either 3, 6 or 9 DIN and either 3 or 6 ISO containers depending on model.

code	description	dimension L x W x H
999MOBSWISOC	Single width trolley with adjustable guides - ISO containers	600 x 453 x 1620h mm 23 ⁵ / ₈ " x 17 ¹³ / ₁₆ " x 63 ²⁵ / ₃₂ "
999MOBDWISOC	Double width trolley with adjustable guides - ISO containers	600 x 881 x 1620h mm 23 ⁵ / ₈ " x 34 ¹¹ / ₁₆ " x 63 ²⁵ / ₃₂ "
999MOBSWDINC	Single width trolley with adjustable guides - DIN containers	600 x 356 x 1275h mm 23 ⁵ / ₈ " x 14" x 50 ³ / ₁₆ "
999MOBDWDINC	Double width trolley with adjustable guides - DIN containers	600 x 687 x 1275h mm 23 ⁵ / ₈ " x 27 ¹ / ₁₆ " x 50 ³ / ₁₆ "
999MOBTWDINC	Triple width trolley with adjustable guides - DIN containers	600 x 1018 x 1275h mm 23 ⁵ / ₈ " x 40 ¹ / ₁₆ " x 50 ³ / ₁₆ "



Service carts

Commonly used in the CSSD for temporary storage of items next to workstations. Available with either 2 or 3 shelves with retaining guards or edges and in 2 different sizes

code	description	dimension L x W x H
999MOBSC0001	Service cart with 2 shelves with retaining edges	960 x 660 x 950h mm 37 ¹³ / ₁₆ " x 26" x 37 ³ / ₈ "
999MOBSC0002	Service cart with 3 shelves with retaining edges	960 x 660 x 950h mm 37 ¹³ / ₁₆ " x 26" x 37 ³ / ₈ "



MOBILE AND WALL MOUNTED BASKET SYSTEM

These flexible systems can accommodate both baskets and a number of accessories designed to hold different commonly used items.

Different length wall brackets are available between 940mm - 37" and 1660mm 65³/₈" with 3 to 6 levels of basket holding pins at 220mm - 7⁷/₈", 320mm - 12⁵/₈" or 400mm - 15³/₄" separation depending on model 3 different sized trolleys are available for holding either 3, 6 or 8 baskets.

code	description	dimension L x W x H
999MOBT84000	Trolley for transporting up to 8 baskets with 4 per side	555 x 630 x 1620 mm 21 ⁷ / ₈ " x 24 ¹³ / ₁₆ " x 63 ¹³ / ₁₆ "

See page 21 for basket options

for up to 8
baskets on 2
sides



Wall mounting brackets

code	description	height
999MOBWB4134	Pair of wall mounting rail brackets with 4 pins each	883mm - 34 ³ / ₄ "



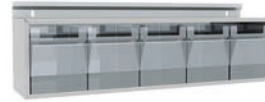


Accessories for trolleys and wall mounted brackets

code	description
999TAASH0001	Flat Shelf 630x350mm - 24 ¹³ / ₁₆ " x 13 ¹³ / ₁₆ "
999TAASH0003	Flat Shelf 1100x350mm - 43 ⁵ / ₁₆ " x 13 ¹³ / ₁₆ "
999TAASH0004	Flat Shelf 1500x350mm - 59 ¹ / ₁₆ " x 13 ¹³ / ₁₆ "



999TAADIO0055	5 compartment tilt bin dispenser
999TAADIO0003	3 compartment tilt bin dispenser



999MOBUBH000	Urine bottle holder - 6 bottles
999MOBSH0000	OR shoe holder - 6 pairs



Stainless steel footwear changing bench

code	description
999FCB000000	1000 x 450 x 500h mm - 39 ³ / ₈ " x 17 ³ / ₄ " x 19 ¹¹ / ₁₆ "



CLOSED INSTRUMENT CARTS

Sterile instrument transported between the CSSD and the OR need to be protected to ensure that they do not become contaminated or contaminate areas that they pass through.

Steelco has a comprehensive range of closed instrument carts made of stainless steel or light aluminium for the transportation of both DIN and ISO containers and baskets. Models are available with both shelves and guides. All models can be fitted with a range of complementary accessories.



FULL RANGE OF CLOSED INSTRUMENT CARTS FOR DIN AND ISO CONTAINERS AND BASKETS

Configuration	Fully welded stainless steel	Welded stainless steel	Aluminium light alloy system
6 DIN shelf	•	•	•
9 DIN shelf	•	•	•
6 ISO shelf	•	•	•
Single column DIN runners			
Double column DIN runners	•		•
Three column DIN runners	•		•
Single column ISO runners			•
Double column ISO runners	•		•
Three column ISO runners			•
Features			
Transfer system			
Low profile hinges and gasket system	•	•	•
TIG welded 304 Stainless Steel	•	•	
100% joint free	•		
Joint free in critical areas		•	•
Rubber or PEHD bottom bumper	•	•	•
Push handle	•	•	•
Top bumper	•	◦	◦
Door opening	255° stop and 270°	270°	270° 255° stop in option
Anti marking wheels	•	•	•
Cleaning detergent type to be used	Alkaline and neutral	Alkaline and neutral	Aluminium safe
AGV and automation compatible	•	•	•
Accessories			
Draw bar	◦	◦	◦
Central brake	◦	◦	◦
Card Holder	◦	◦	◦
Upper bumper	•	•	◦
Directional block	◦	◦	◦
Lock	◦	◦	◦
Lock Safety device for seal system	◦	◦	◦

• = Standard ◦ = Option - = Not available



CLOSED INSTRUMENT TROLLEY – FULLY WELDED STAINLESS STEEL

Made of AISI 304 stainless steel with an anti-torsion chassis, all joints are TIG robot welded to ensure smooth surfaces. A ribbed roof for water drainage and reinforced double sheet doors with an interchangeable silicone rubber seal provide an effective barrier against contamination. Anti marking 160mm - 6⁵/₁₆" rubber wheels with 2 swivelling and fixed wheels with brakes ensure ease of manoeuvrability.

	Nr. of Containers	Columns with adjustable runners	Columns with fixed runners	Interior with nr. 3 stainless steel shelves
DIN std.	6	999EFW62ADIN 1010 x 710 x 1470mm 39 ³ / ₄ " x 27 ¹⁵ / ₁₆ " x 57 ⁷ / ₈ "	999EFW62FDIN 1010 x 710 x 1470mm 39 ³ / ₄ " x 27 ¹⁵ / ₁₆ " x 57 ⁷ / ₈ "	999EFW2S6STU 1010 x 730 x 1470mm 39 ³ / ₄ " x 28 ³ / ₄ " x 57 ⁷ / ₈ "
	9	999EFW93ADIN 1260 x 710 x 1470mm 49 ⁵ / ₈ " x 28 ³ / ₄ " x 57 ⁷ / ₈ "	999EFW93FDIN 1260 x 710 x 1470mm 49 ⁵ / ₈ " x 27 ¹⁵ / ₁₆ " x 57 ⁷ / ₈ "	999EFW2S9STU 1260 x 730 x 1470mm 49 ⁵ / ₈ " x 28 ³ / ₄ " x 57 ⁷ / ₈ "
ISO std.	6	999EFW62AIS0 1260 x 710 x 1470mm 49 ⁵ / ₈ " x 28 ³ / ₄ " x 57 ⁷ / ₈ "	999EFW62FIS0 1260 x 710 x 1470mm 49 ⁵ / ₈ " x 27 ¹⁵ / ₁₆ " x 57 ⁷ / ₈ "	999EFW2S9STU 1260 x 730 x 1470mm 49 ⁵ / ₈ " x 28 ³ / ₄ " x 57 ⁷ / ₈ "





Accessories for STS sterile transfer system and fully welded stainless steel closed instrument trolleys

code	description
999EFWADB000	Draw bar
999EFWACB000	Central brake on 2 wheels
999EFWACC000	Card holder A4
999EFWADB200	Directional block of 2 wheels
999EFWACLO00	Cylinder lock with 2 keys
999EFWASD000	Safety device for seal system
999EFWASCO00	Round indicator with 3 colors identification of sterility



CLOSED INSTRUMENT TROLLEY – WELDED STAINLESS STEEL

These trolleys are made of AISI 304 stainless steel with an anti-torsion chassis. Critical joints are TIG welded to ensure smooth surfaces with non-critical areas riveted. Ribbed roof for water drainage and reinforced double sheet doors with interchangeable silicone rubber seal to provide an effective barrier against contamination.

	Nr. of Containers	TALL: interior with nr. 3 loading levels, nr. 2 stainless steel wire shelves	SHORT: interior with nr. 2 loading levels, nr. 1 stainless steel wire shelves
DIN std.	6	999EHW2S1DT0 965 x 750 x 1470mm - 38" x 29 1/2" x 57 7/8"	999EHW1S2DT0 1240 x 770 x 1000mm - 48 13/16" x 30 5/16" x 39 3/8"
	9	999EHW2S2DT0 1185 x 750 x 1470mm - 46 5/8" x 29 1/2" x 57 7/8"	
ISO std.	2		999EHW1S1DT0 840 x 770 x 1000mm - 33 1/16" x 30 5/16" x 39 3/8"
	3	999EHW2S1DT1 785 x 750 x 1470mm - 30 7/8" x 29 1/2" x 57 7/8"	
	4		999EHW1S2DT0 1240 x 770 x 1000mm - 48 13/16" x 30 5/16" x 39 3/8"
	6	999EHW2S2DT0 1185 x 750 x 1470mm - 46 5/8" x 29 1/2" x 57 7/8"	



Accessories for welded stainless steel closed instrument trolleys

code	description
99904SC2DL2B	Directional block of 2 wheels
9990000LBIDP	Laser barcode ID plate
999EFWACC000	Card holder A4
99900000PDTC	Paper document clamp
999EFWACLO00	Cylinder lock with 2 keys
999EFWASC000	Round indicator with 3 colors identification of sterility



Additional shelves

code	description	
999EHWWSO078	Additional stainless steel wire shelf for 785 & 840 mm width cart	623 x 650 mm
999EHWSSO078	Additional stainless steel solid shelf for 785 & 840 mm width cart	623 x 650 mm
999EHWPWS078	Additional pull-out stainless steel wire shelf for 785 & 840 mm width cart	623 x 650 mm
999EHWWSO118	Additional stainless steel wire shelf for 1185 & 1240 mm width cart	1023 x 650 mm
999EHWSSO118	Additional stainless steel solid shelf for 1185 & 1240 mm width cart	1023 x 650 mm
999EHWPWS118	Additional pull-out stainless steel wire shelf for 1185 & 1240 mm width cart	1023 x 650 mm



CLOSED INSTRUMENT TROLLEY - ALUMINIUM LIGHT ALLOY

Of lightweight aluminium construction, and featuring a patented closing system with gaskets integrated into doors that can open 270° wide. Units are available with shelves or runners for DIN or ISO systems with a full range of complementary accessories. Models with guides have runners every 114mm - 4 1/2" and are suitable for baskets. As with all aluminium products, it is recommended to clean these transport trolleys with neutral or aluminium safe detergents.

	Nr. of Containers	With nr. 10 pair runners per column	With nr. 3 stainless steel shelves
DIN std.	6	999ELAG6DINO 860 x 710 x 1500mm 33 7/8" x 27 15/16" x 59 1/16"	999ELAS6DINO 860 x 710 x 1500mm 33 7/8" x 27 15/16" x 59 1/16"
	9	999ELAG9DINO 1230 x 710 x 1500mm 48 7/16" x 27 15/16" x 59 1/16"	999ELAS9DINO 1230 x 710 x 1500mm 48 7/16" x 27 15/16" x 59 1/16"
ISO std.	3	999ELAG10ISO 520 x 710 x 1500mm 20 1/2" x 27 15/16" x 59 1/16"	
	6	999ELAG18ISO 1000 x 710 x 1500mm 39 3/8" x 27 15/16" x 59 1/16"	999ELAS9DINO 1230 x 710 x 1500mm 48 7/16" x 27 15/16" x 59 1/16"
	9	999ELAG27ISO 1430 x 710 x 1500mm 56 5/16" x 27 15/16" x 59 1/16"	



Closed instrument trolley - Aluminium light alloy – accessories

code	description
999ELAACH400	Card holder A4
999ELAACH500	Card holder A5
999ELAADB000	Draw bar
999ELAACB000	Central brake on 2 wheels
999ELAACLO00	Cylinder lock with 2 keys
999ELAADB200	Directional block of 2 wheels
999ELAAPV000	Vertical pivot or sloping shelves
999ELAAPB000	Pedal brake on a single castor
999EFWASW000	Stainless steel wheels and chassis
999EFWASC000	Round indicator with 3 colors identification of sterility



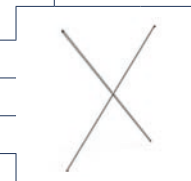
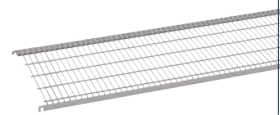
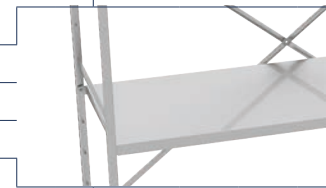
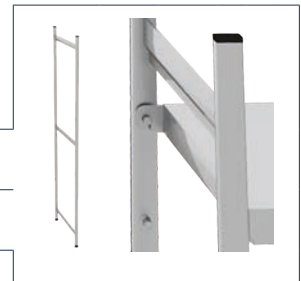
STAINLESS STEEL SHELVING

Entirely made of AISI 304 stainless steel with all joints TIG welded. Of modular design, with up to 1200kg load capacity, easy to assemble without the use of special tools, end sections are electro polished. Can accommodate DIN or ISO containers or basket systems. Available with adjustable solid shelves or with wire shelves or guides.



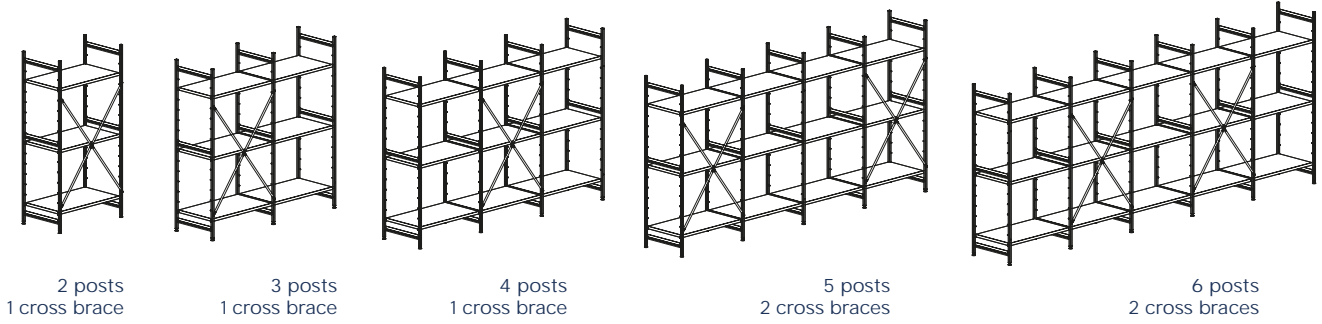
- If shelving units share common posts, it is recommended to use a cross brace every 2nd unit.
- When using ISO or DIN basket guides, use appropriate Z shape brace per unit.

code	description
999SSPO60180	Stainless steel post frame with pins 600x1800h mm 23 ⁵ / ₈ " x 70 ⁷ / ₈ "
999SSPO60200	Stainless steel post frame with pins 600x2000h m 23 ⁵ / ₈ " x 78 ³ / ₈ "
999SSSS10054	Stainless steel solid shelf 1000x540 w mm - 39 ³ / ₈ " x 21 ¹ / ₄ "
999SSSS12054	Stainless steel solid shelf 1200x540 w mm - 47 ¹ / ₄ " x 21 ¹ / ₄ "
999SSSS14054	Stainless steel solid shelf 1400x540 w mm - 55 ¹ / ₈ " x 21 ¹ / ₄ "
999SSWS10054	Stainless steel wire shelf 1000x540 w mm - 39 ³ / ₈ " x 21 ¹ / ₄ "
999SSWS12054	Stainless steel wire shelf 1200x540 w mm - 47 ¹ / ₄ " x 21 ¹ / ₄ "
999SSWS14054	Stainless steel wire shelf 1400x540 w mm - 55 ¹ / ₈ " x 21 ¹ / ₄ "
999SSCBR1000	Reinforcement cross brace for 1000mm - 39 ³ / ₈ " shelving
999SSCBR1200	Reinforcement cross brace for 1200mm - 47 ¹ / ₄ " shelving
999SSCBR1400	Reinforcement cross brace for 1400mm - 55 ¹ / ₈ " shelving





Assembling examples



2 posts
1 cross brace

3 posts
1 cross brace

4 posts
1 cross brace

5 posts
2 cross braces

6 posts
2 cross braces

code	description	
999SSGISOB00	Pair of guides for ISO baskets 600 L	
999SSZSPO400	Z shape brace for ISO system	
999SSGDINB00	Pair of guides for DIN baskets 600 L	
999SSZSPO300	Z shape brace for DIN system	
999SSWSO3060	Pull out s. steel wire shelf 600x310 w mm 23 ⁵ / ₈ " x 12 ³ / ₁₆ "	
999SSWSRN000	Pair of runners for pull out stainless steel wire shelf	



HDS - HIGH DENSITY STORAGE SHELVING SYSTEM - TOP GUIDED

High density stainless steel shelving system with overhead guiding rails, obstruction free floor with 40% gain in storage capacity. Modular shelving components shown on previous pages. Every 4 meter a fixed upright shelf is needed.



code	description
999SSRBTG100	Rolling base for top guided mob. shelving 1030 x 610mm 40 ⁹ / ₁₆ " x 24"
999SSRBTG120	Rolling base for top guided mob. shelving 1230 x 610mm 48 ⁷ / ₁₆ " x 24"
999SSRBTG140	Rolling base for top guided mob. shelving 1430 x 610mm 56 ⁵ / ₁₆ " x 24"





HDS - HIGH DENSITY STORAGE SHELVING SYSTEM - FLOOR GUIDED

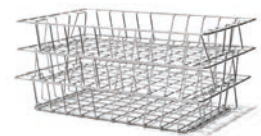
High density stainless steel shelving system with floor guiding rails providing up to 50% additional storage capacity. Modular shelving components shown on previous pages.



code	description
999SSRBF100	Rolling base for floor guided mob. shelving 1030 x 610mm - 40 ⁹ / ₁₆ " x 24"



999SPRI40610	Spri basket 400x600x100h mm 15 ³ / ₄ " x 23 ⁵ / ₈ " x 3 ¹⁵ / ₁₆ "
999SPRI40613	Spri basket 400x600x130h mm 15 ³ / ₄ " x 23 ⁵ / ₈ " x 5 ¹ / ₈ "
999SPRI40620	Spri basket 400x600x200h mm 15 ³ / ₄ " x 23 ⁵ / ₈ " x 7 ⁷ / ₈ "
9992247	ISO polypropylene container 600x400x50h mm
9992248	ISO polypropylene container 600x400x100h mm
9992249	ISO polypropylene container 600x400x200h mm



CHROME SHELVING

Cost effective, easy to assemble modular chrome shelving available in 3 different lengths with 5 grid style shelves.

code	description
999CSS184274	Chrome shelving systems with 5 shelves 450 x 1050 x 1800 h mm - 17 ³ / ₄ " x 41 ⁵ / ₁₆ " x 70 ⁷ / ₈ "
999CSS184874	Chrome shelving systems with 5 shelves 450 x 1220 x 1800 h mm - 17 ³ / ₄ " x 47 ¹ / ₄ " x 70 ⁷ / ₈ "
999CSS186074	Chrome shelving systems with 5 shelves 450 x 1520 x 1800 h mm - 17 ³ / ₄ " x 59 ¹³ / ₁₆ " x 70 ⁷ / ₈ "
999CSS244274	Chrome shelving systems with 5 shelves 600 x 1050 x 1800 h mm - 23 ⁵ / ₈ " x 41 ⁵ / ₁₆ " x 70 ⁷ / ₈ "
999CSS246074	Chrome shelving systems with 5 shelves 600 x 1520 x 1800 h mm - 23 ⁵ / ₈ " x 59 ¹³ / ₁₆ " x 70 ⁷ / ₈ "
999CSS184286	Chrome shelving systems with 5 shelves 450 x 1050 x 2200 h mm - 17 ³ / ₄ " x 41 ⁵ / ₁₆ " x 86 ⁵ / ₈ "
999CSS184886	Chrome shelving systems with 5 shelves 450 x 1220 x 2200 h mm - 17 ³ / ₄ " x 47 ¹ / ₄ " x 86 ⁵ / ₈ "
999CSS186086	Chrome shelving systems with 5 shelves 450 x 1520 x 2200 h mm - 17 ³ / ₄ " x 59 ¹³ / ₁₆ " x 86 ⁵ / ₈ "
999CSS244286	Chrome shelving systems with 5 shelves 600 x 1050 x 2200 h mm - 23 ⁵ / ₈ " x 41 ⁵ / ₁₆ " x 86 ⁵ / ₈ "
999CSS244886	Chrome shelving systems with 5 shelves 600 x 1220 x 2200 h mm - 23 ⁵ / ₈ " x 47 ¹ / ₄ " x 86 ⁵ / ₈ "
999CSS246086	Chrome shelving systems with 5 shelves 600 x 1520 x 2200 h mm - 23 ⁵ / ₈ " x 59 ¹³ / ₁₆ " x 86 ⁵ / ₈ "
999CSSCLA000	Post clamp to connect separate consecutive shelving system units
999CSSHOOK00	S-Hook to create continuous runs of shelving (straight or 90°) sharing the same posts





STAINLESS STEEL FILING AND STORAGE CABINETS

TIG welded of AISI 304 stainless steel, available as a single or double door cupboard with 1 fixed and 4 adjustable shelves. Optionally fitted with impact resistant tempered glass door(s).

Single door cabinets

code	description
999ST1145721	Stainless steel narrow single door cupboard with 1 fixed and 4 adjustable shelves 500 x 680 x 2100h mm 19 ¹¹ / ₁₆ " x 26 ³ / ₄ " x 82 ¹¹ / ₁₆ "
999ST1146721	Stainless steel wide single door cupboard with 1 fixed and 4 adjustable shelves 600 x 680 x 2100h mm 23 ⁵ / ₈ " x 26 ³ / ₄ " x 82 ¹¹ / ₁₆ "
999ST1GLASS1	Supply and fitment of single glass door in lieu of steel door



Double door cabinets

code	description
999STD141721	Stainless steel narrow double door cupboard with 1 fixed and 4 adjustable shelves 1000 x 680 x 2100h mm 39 ³ / ₈ " x 26 ³ / ₄ " x 82 ¹¹ / ₁₆ "
999STD142721	Stainless steel wide double door cupboard with 1 fixed and 4 adjustable shelves 1200 x 680 x 2100h mm 47 ¹ / ₄ " x 26 ³ / ₄ " x 82 ¹¹ / ₁₆ "
999ST2GLASS2	Supply and fitment of double glass doors in lieu of steel doors
999STSL00000	Slope top for 680mm - 26 ³ / ₄ " deep cabinet



PASS THROUGH CABINETS FOR BASKETS/CONTAINERS

TIG welded of AISI 304 stainless steel, available as a single or double door cupboard with 1 fixed and 4 adjustable shelves. Optionally fitted with impact resistant tempered glass door(s). Electronically governed door opening to prevent doors on both clean and sterile side being opened at the same time.

Pass through cabinets with shelves

code	description
999ST1407721	Pass through cabinet with 1 fixed and 4 adjustable shelves 750 x 720 x 2100 H mm 29 ¹ / ₂ " x 28 ³ / ₈ " x 82 ¹¹ / ₁₆ "
999ST1410721	Pass through cabinet with 1 fixed and 4 adjustable shelves 1000 x 720 x 2100 H mm 39 ³ / ₈ " x 28 ³ / ₈ " x 82 ¹¹ / ₁₆ "
999ST1412721	Pass through cabinet with 1 fixed and 4 adjustable shelves 1200 x 720 x 2100 H mm 47 ¹ / ₄ " x 28 ³ / ₈ " x 82 ¹¹ / ₁₆ "
999ST4GLASS1	Supply and fitment of glass door for item 999ST1407721
999ST4GLASS2	Supply and fitment of double glass door for items 999ST1410721 and 999ST1412721

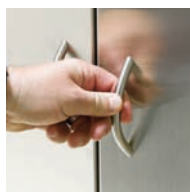


PASS THROUGH CABINETS FOR TRANSPORT TROLLEYS

Double door pass through cabinets with glass doors, TIG welded of AISI 304 stainless steel. Standard equipped with floor barrier to avoid the transport trolley to enter into the sterile area.

Pass through cabinets for transport trolleys

code	description
999PTCS12918	Pass through cabinet with with glass doors for standard width transport trolleys 1200 x 900 x 1800 H mm
999PTCW15918	Pass through cabinet with with glass doors for wide width transport trolleys 1500 x 900 x 1800 H mm





Miele Group
Member

Customization. Innovation. Excellence.

STEELCO - Miele Group Member

Headquarters:
Via Balegante, 27 - 31039
Riese Pio X (TV) - Italy
Ph. +39 0423 7561
Fax +39 0423 755528
info@steelcogroup.com
www.steelcogroup.com

Branches:

STEELCO AUSTRIA
Wals-Siezenheim, Austria
info-at@steelcogroup.com

STEELCO BELGIUM
Mollem, Belgium
info-be@steelcogroup.com

STEELCO BENELUX
Vianen, Netherlands
info-benelux@steelcogroup.com

STEELCO CHINA
Shanghai, China
info-cn@steelcogroup.com

STEELCO FRANCE
Paris, France
info-fr@steelcogroup.com

STEELCO GERMANY
Gütersloh, Germany
info-de@steelcogroup.com

STEELCO HUNGARY
Budapest, Hungary
info-hu@steelcogroup.com

STEELCO MEXICO
CDMX, Mexico
info-mx@steelcogroup.com

STEELCO NORDIC
Kgs. Lyngby, Denmark
info-nordic@steelcogroup.com

STEELCO NORGE
Nesbru, Norway
info-no@steelcogroup.com

STEELCO SPAIN
Madrid, Spain
info-es@steelcogroup.com

STEELCO SWITZERLAND
Spreitenbach, Switzerland
info-ch@steelcogroup.com

STEELCO USA
West Palm Beach, USA
info-usa@steelcogroup.com



**CERTIFICATO N.
CERTIFICATE N. 1050.2021**

SI CERTIFICA CHE IL SISTEMA DI GESTIONE PER LA SALUTE E SICUREZZA SUL LAVORO
WE HEREBY CERTIFY THAT THE HEALTH AND SAFETY MANAGEMENT SYSTEM OPERATED BY

STEELCO SPA

VIA BALEGANTE 27 - 31039 RIESE PIO X (TV) Italy

UNITA' OPERATIVE / OPERATIVE UNITS

VIA BALEGANTE 27 - 31039 RIESE PIO X (TV) Italy

VIA DEL LAVORO 10 - 31039 RIESE PIO X (TV) Italy

VIA DEL LAVORO 12 - 31039 RIESE PIO X (TV) Italy

VIA DEL LAVORO 3 - 31039 RIESE PIO X (TV) Italy

VIA DEL LAVORO 9/A - 31039 RIESE PIO X (TV) Italy

VIA DEL LAVORO 6-8 - 31039 RIESE PIO X (TV) Italy

E' CONFORME ALLA NORMA / IS IN COMPLIANCE WITH THE STANDARD

ISO 45001:2018

PER LE SEGUENTI ATTIVITA' / FOR THE FOLLOWING ACTIVITIES

Vedere l'Allegato per l'attività (n°1 pagina)
View the Annex for the activity (n° 1 page)

IL PRESENTE CERTIFICATO E' SOGGETTO AL RISPETTO DEL
REGOLAMENTO PER LA CERTIFICAZIONE DEI SISTEMI DI GESTIONE
THE USE AND THE VALIDITY OF THE CERTIFICATE SHALL SATISFY THE
REQUIREMENTS OF THE RULES FOR CERTIFICATION OF MANAGEMENT SYSTEMS

DATE:	PRIMA CERTIFICAZIONE FIRST CERTIFICATION 23-08-2021	EMISSIONE CORRENTE CURRENT ISSUE 25-07-2023	SCADENZA EXPIRY 22-08-2024
--------------	--	--	---



IMQ S.p.A. - VIA QUINTILIANO, 43 - 20138 MILANO ITALY
Management Systems Division - Flavio Ornago



MS N° 0005MS

Membro degli Accordi di Mutuo
Riconoscimento EA, IAF e ILAC
Signatory of EA, IAF and ILAC
Mutual Recognition Agreements

IAF: 19, 18, 29

La validità del certificato è subordinata a sorveglianza annuale e riesame completo
del Sistema di Gestione con periodicità triennale
The validity of the certificate is submitted to annual audit and a reassessment
of the entire Management System within three years



www.cisq.com

CISQ è la Federazione Italiana di Organismi di
Certificazione dei sistemi di gestione aziendale. CISQ
is the Italian Federation of management system
Certification Bodies.

ALLEGATO CERTIFICATO N. 1050.2021 ANNEX CERTIFICATE N.

Attività:
Activities:

Progettazione, produzione, installazione ed assistenza di lavastrumenti e lavacarrelli a termodesinfazione, lavastrumenti per decontaminazione, sterilizzatori a vapore e/o a bassa temperatura, lavapadelle, lavastrumenti ad ultrasuoni ed apparecchi per il lavaggio, disinfezione e sterilizzazione chimica degli endoscopi termolabili. Progettazione, produzione, installazione ed assistenza di apparecchi per il lavaggio e disinfezione di vetreria, strumenti, carrelli, contenitori e parti di macchine speciali per il settore farmaceutico. Progettazione e commercializzazione di soluzioni disinfettanti per dispositivi medici invasivi e non invasivi. Commercializzazione di lavastrumenti per decontaminazione, sterilizzatori a vapore e relativi accessori. Commercializzazione di arredi e attrezzature/accessori a supporto dei processi di lavaggio, disinfezione, sterilizzazione e stoccaggio di attrezzature e strumenti. Processi: lavorazioni meccaniche, saldatura lamiere, assemblaggio, collaudo, imballaggio e spedizione di prodotti finiti.

Design, manufacturing, installation and service of washer disinfectors and trolley washers, washers for decontamination, steam and/or low temperature sterilizers, bedpan washers, ultrasonic washers and washers for the disinfection and the chemical sterilization of the thermolabile endoscopes. Design, manufacturing, installation and service of equipment for the washing and disinfection of glassware, instruments, trolleys, carboys and parts of special machines for the pharmaceutical industry. Commercialization of decontamination washers, steam sterilizers and their accessories. Commercialization of furniture/accessories to support washing, disinfection and sterilization processes as well as for the storage of instruments and tools. Processes: mechanical works, welding of metal sheets, assembly, testing, packaging and shipping of finished products.

Design, Produktion, Installation und Wartung von Reinigungsdesinfektionsautomaten und Wagenwaschanlagen zur Thermodesinfektion, Dekontaminationsgeräeten, Dampf- und / oder Niedertemperatur-Sterilisatoren, Steckbeckenspueler, Ultraschallreinigungsgeraeten und Geräeten zum Waschen, Desinfizieren und chemischen Sterilisieren von thermolabilen Endoskopien. Entwurf Herstellung Installation und Wartung von Anlagen zum Waschen und Desinfizieren von Glaswaren, Instrumenten, Wagen, Containern und Teilen von Spezialmaschinen für die pharmazeutische Industrie. Design und Marketing von Desinfektionslösungen für invasive und nicht-invasive Medizinprodukte. Vermarktung von Dekontaminationsgeräeten, Dampfsterilisatoren und dazugehörigem Zubehör. Verkauf von Möbeln und Geräeten / Zubehör zur Unterstützung der Reinigungsprozesse, Desinfektion, Sterilisation und Lagerung von Geräeten und Werkzeugen.

DATE:	PRIMA CERTIFICAZIONE FIRST CERTIFICATION	EMISSIONE CORRENTE CURRENT ISSUE	SCADENZA EXPIRY
	23-08-2021	25-07-2023	22-08-2024



IMQ S.p.A. - VIA QUINTILIANO, 43 - 20138 MILANO ITALY
Management Systems Division - Flavio Ornago



MS N° 0005MS

Membro degli Accordi di Mutuo Riconoscimento EA, IAF e ILAC
Signatory of EA, IAF and ILAC Mutual Recognition Agreements

IAF: 19, 18, 29

La validità del certificato è subordinata a sorveglianza annuale e riesame completo del Sistema di Gestione con periodicità triennale
The validity of the certificate is submitted to annual audit and a reassessment of the entire management System within three years



www.cisq.com

CISQ è la Federazione Italiana di Organismi di Certificazione dei sistemi di gestione aziendale. CISQ is the Italian Federation of management system Certification Bodies.

Certificate

CISQ/IMQ has issued an IQNET recognized certificate that the organization:

STEELCO SPA

VIA BALEGANTE 27 - 31039 RIESE PIO X (TV) Italy

VIA DEL LAVORO 10/12/3/9A/6-8 - 31039 RIESE PIO X (TV) Italy

has implemented and maintains a
Occupational Health and Safety Management System

for the following scope: **Design, manufacturing, installation and service of washer disinfectors and trolley washers, washers for decontamination, steam and/or low temperature sterilizers, bedpan washers, ultrasonic washers and washers for the disinfection and the chemical sterilization of the thermolabile endoscopes. Design, manufacturing, installation and service of equipment for the washing and disinfection of glassware, instruments, trolleys, carboys and parts of special machines for the pharmaceutical industry. Commercialization of decontamination washers, steam sterilizers and their accessories. Commercialization of furniture/accessories to support washing, disinfection and sterilization processes as well as for the storage of instruments and tools. Processes: mechanical works, welding of metal sheets, assembly, testing, packaging and shipping of finished products.**

which fulfils the requirements of the following standard:

ISO 45001:2018

Issued on: **2023/07/25**

Expires on: **2024/08/22**

Registration Number: **IT – 134569-1050.2021**



Alex Stoichitoiu
President of IQNET



Mario Romersi
President of CISQ



This attestation is directly linked to the IQNET Member's original certificate and shall not be used as a stand-alone document.

IQNET Members*:

AENOR Spain **AFNOR Certification** France **APCER** Portugal **CCC** Cyprus **CISQ** Italy **CQC** China **CQM** China **CQS** Czech Republic **Cro Cert** Croatia **DQS Holding GmbH** Germany **EAGLE Certification Group** USA **FCAV** Brazil **FONDONORMA** Venezuela **ICONTEC** Colombia **ICS** Bosnia and Herzegovina **Inspecta Sertifointi Oy** Finland **INTECO** Costa Rica **IRAM** Argentina **JQA** Japan **KFQ** Korea **LSQA** Uruguay **MIRTEC** Greece **MSZT** Hungary **Nemko AS** Norway **NSAI** Ireland **NYCE-SIGE** Mexico **PCBC** Poland **Quality Austria** Austria **SII** Israel **SIQ** Slovenia **SIRIM QAS International** Malaysia **SQS** Switzerland **SRAC** Romania **TSE** Türkiye **YUQS** Serbia

* The list of IQNET Members is valid at the time of issue of this certificate. Updated information is available under www.iqnet-certification.com

CERTIFICATO N. 9191.SEE3
CERTIFICATE N.

SI CERTIFICA CHE IL SISTEMA DI GESTIONE AMBIENTALE DI
WE HEREBY CERTIFY THAT THE ENVIRONMENTAL MANAGEMENT SYSTEM OPERATED BY

STEELCO SPA

VIA BALEGANTE 27 - 31039 RIESE PIO X (TV) Italy
SITI/SITES

Vedere gli Allegati per gli altri Siti (n° 3 allegati)
Vedere gli Allegati per gli altri Siti (n° 3 annexes)

E' CONFORME ALLA NORMA *IS IN COMPLIANCE WITH THE STANDARD*

ISO 14001:2015

PER LE SEGUENTI ATTIVITA' / *FOR THE FOLLOWING ACTIVITIES*

Progettazione, produzione, installazione e assistenza di sistemi di lavaggio, disinfezione e sterilizzazione in ambito medico sanitario, farmaceutico e per i laboratori di ricerca mediate i processi di lavorazioni meccaniche, saldatura lamiere, assemblaggio, collaudo, imballaggio e spedizione di prodotti finiti. Commercializzazione di apparecchiature, strumenti ed accessori per i processi di lavaggio, disinfezione e sterilizzazione

Design, production, installation and service of cleaning, disinfection and sterilisation systems for healthcare, pharmaceutical and research laboratories through the processes of machining, sheet metal welding, assembly, testing, packaging and shipping of the finished products.. Marketing of equipment, instruments and accessories for washing, disinfection and sterilisation processes Marketing of equipment, instruments and accessories for washing, disinfection and sterilisation processes.

Certificazione rilasciata in conformità al Regolamento Tecnico ACCREDIA RT-09

IL PRESENTE CERTIFICATO E' SOGGETTO AL RISPETTO DEL
REGOLAMENTO PER LA CERTIFICAZIONE DEI SISTEMI DI GESTIONE
*THE USE AND THE VALIDITY OF THE CERTIFICATE SHALL SATISFY THE
REQUIREMENTS OF THE RULES FOR CERTIFICATION OF MANAGEMENT SYSTEMS*

DATE:	PRIMA CERTIFICAZIONE <i>FIRST CERTIFICATION</i>	EMISSIONE CORRENTE <i>CURRENT ISSUE</i>	SCADENZA <i>EXPIRY</i>
	11/10/2017	21/07/2023	10/10/2026



IMQ S.p.A. - VIA QUINTILIANO, 43 - 20138 MILANO ITALY
Management Systems Division - Flavio Ornago



IAF: 19,18,29

MS N° 0005MS

Membro degli Accordi di Mutuo Riconoscimento EA, IAF e ILAC
Signatory of EA, IAF and ILAC Mutual Recognition Agreements

La validità del certificato è subordinata a sorveglianza annuale e riesame completo del Sistema di Gestione con periodicità triennale
The validity of the certificate is submitted to annual audit and a reassessment of the entire Management System within three years



www.cisq.com

CISQ è la Federazione Italiana di Organismi di
Certificazione dei sistemi di gestione aziendale. CISQ
is the Italian Federation of management system
Certification Bodies.

ALLEGATO n. **9191.SEE3-1**
ANNEX No.

STEELCO SPA

VIA BALEGANTE 27 - 31039 RIESE PIO X (TV) Italy

Attività:
Activities:

Progettazione, produzione, installazione e assistenza di sistemi di lavaggio, disinfezione e sterilizzazione in ambito medico sanitario, farmaceutico e per i laboratori di ricerca mediante i processi di lavorazioni meccaniche, saldatura lamiere, assemblaggio, collaudo, imballaggio e spedizione di prodotti finiti. Commercializzazione di apparecchiature, strumenti ed accessori per i processi di lavaggio, disinfezione e sterilizzazione Commercializzazione di apparecchiature, strumenti ed accessori per i processi di lavaggio, disinfezione e sterilizzazione. Commercializzazione di apparecchiature, strumenti ed accessori per i processi di lavaggio, disinfezione e sterilizzazione.

Design, production, installation and service of cleaning, disinfection and sterilisation systems for healthcare, pharmaceutical and research laboratories through the processes of machining, sheet metal welding, assembly, testing, packaging and shipping of the finished products. Marketing of equipment, instruments and accessories for washing, disinfection and sterilisation processes

IL PRESENTE ALLEGATO HA LO SCOPO DI ESPLICITARE LE ATTIVITA' SVOLTE PRESSO IL SINGOLO SITO/UNITA' OPERATIVA NELL'AMBITO DELLA CERTIFICAZIONE DEL SISTEMA DI GESTIONE RILASCIATA A: STEELCO SPA
THE AIM OF PRESENT ANNEX IS TO EXPLAIN THE ACTIVITIES PERFORMED IN EACH SITE/OPERATIVE UNIT OF THE MANAGEMENT SYSTEM CERTIFICATION ISSUED TO: STEELCO SPA

PER LA VALIDITA' RIFERIRSI AL CERTIFICATO N. 9191.SEE3
FOR THE VALIDITY PLEASE REFER TO CERTIFICATE N. 9191.SEE3

DATE	PRIMA CERTIFICAZIONE FIRST CERTIFICATION	EMISSIONE CORRENTE CURRENT ISSUE	SCADENZA EXPIRY
	11/10/2017	21/07/2023	10/10/2026



IMQ S.p.A. - VIA QUINTILIANO, 43 - 20138 MILANO ITALY
Management Systems Division - Flavio Ornago

ALLEGATO n. **9191.SEE3-2**
ANNEX No.

STEELCO SPA

VIA DEL LAVORO 12 - 31039 RIESE PIO X (TV) Italy
VIA DEL LAVORO 10 - 31039 RIESE PIO X (TV) Italy
VIA DEL LAVORO 3 - 31039 RIESE PIO X (TV) Italy
VIA DEL LAVORO 9A - 31039 RIESE PIO X (TV) Italy

Attività:
Activities:

Produzione di sistemi di lavaggio, disinfezione e sterilizzazione in ambito medico sanitario, farmaceutico e per i laboratori di ricerca

Production of cleaning, disinfection and sterilisation systems for healthcare, pharmaceutical and research laboratories

IL PRESENTE ALLEGATO HA LO SCOPO DI ESPlicitARE LE ATTIVITA' SVOLTE PRESSO IL SINGOLO SITO/UNITA' OPERATIVA NELL'AMBITO DELLA CERTIFICAZIONE DEL SISTEMA DI GESTIONE RILASCIATA A: STEELCO SPA
THE AIM OF PRESENT ANNEX IS TO EXPLAIN THE ACTIVITIES PERFORMED IN EACH SITE/OPERATIVE UNIT OF THE MANAGEMENT SYSTEM CERTIFICATION ISSUED TO: STEELCO SPA

PER LA VALIDITA' RIFERIRSI AL CERTIFICATO N. 9191.SEE3
FOR THE VALIDITY PLEASE REFER TO CERTIFICATE N. 9191.SEE3

DATE	PRIMA CERTIFICAZIONE FIRST CERTIFICATION	EMISSIONE CORRENTE CURRENT ISSUE	SCADENZA EXPIRY
	11/10/2017	21/07/2023	10/10/2026



IMQ S.p.A. - VIA QUINTILIANO, 43 - 20138 MILANO ITALY
Management Systems Division - Flavio Ornago

ALLEGATO n. **9191.SEE3-3**
ANNEX No.

STEELCO SPA

VIA DEL LAVORO 6-8 - 31039 RIESE PIO X (TV) Italy

Attività:
Activities:

Produzione di sistemi di lavaggio, disinfezione e sterilizzazione in ambito medico sanitario, farmaceutico e per i laboratori di ricerca. Magazzino prodotto finito

Production of cleaning, disinfection and sterilisation systems for healthcare, pharmaceutical and research laboratories. Warehouse for finished products

IL PRESENTE ALLEGATO HA LO SCOPO DI ESPlicitARE LE ATTIVITA' SVOLTE PRESSO IL SINGOLO SITO/UNITA' OPERATIVA NELL'AMBITO DELLA CERTIFICAZIONE DEL SISTEMA DI GESTIONE RILASCIATA
A: STEELCO SPA
THE AIM OF PRESENT ANNEX IS TO EXPLAIN THE ACTIVITIES PERFORMED IN EACH SITE/OPERATIVE UNIT OF THE MANAGEMENT SYSTEM CERTIFICATION ISSUED TO: STEELCO SPA

PER LA VALIDITA' RIFERIRSI AL CERTIFICATO N. 9191.SEE3
FOR THE VALIDITY PLEASE REFER TO CERTIFICATE N. 9191.SEE3

DATE	PRIMA CERTIFICAZIONE FIRST CERTIFICATION	EMISSIONE CORRENTE CURRENT ISSUE	SCADENZA EXPIRY
	11/10/2017	21/07/2023	10/10/2026



IMQ S.p.A. - VIA QUINTILIANO, 43 - 20138 MILANO ITALY
Management Systems Division - Flavio Ornago

Certificate

CISQ/IMQ has issued an IQNET recognized certificate that the organization:

STEELCO SPA

VIA BALEGANTE 27 - 31039 RIESE PIO X (TV) Italy
VIA DEL LAVORO 12 - 31039 RIESE PIO X (TV) Italy
VIA DEL LAVORO 10 - 31039 RIESE PIO X (TV) Italy
VIA DEL LAVORO 3 - 31039 RIESE PIO X (TV) Italy
VIA DEL LAVORO 9A - 31039 RIESE PIO X (TV) Italy
VIA DEL LAVORO 6-8 - 31039 RIESE PIO X (TV) Italy

has implemented and maintains a
Environmental Management System

for the following scope:

Design, production, installation and service of cleaning, disinfection and sterilisation systems for healthcare, pharmaceutical and research laboratories through the processes of machining, sheet metal welding, assembly, testing, packaging and shipping of the finished products.. Marketing of equipment, instruments and accessories for washing, disinfection and sterilisation processes Marketing of equipment, instruments and accessories for washing, disinfection and sterilisation processes.

which fulfils the requirements of the following standard:

ISO 14001:2015

Issued on: **2023/07/21**

Expires on: **2026/10/10**

Registration Number: **IT – 112291-9191.SEE3**



Alex Stoichitoiu
President of IQNET



Mario Romersi
President of CISQ



This attestation is directly linked to the IQNET Member's original certificate and shall not be used as a stand-alone document.

IQNET Members*:

AENOR Spain **AFNOR Certification** France **APCER** Portugal **CCC** Cyprus **CISQ** Italy **CQC** China **CQM** China **CQS** Czech Republic
Cro Cert Croatia **DQS Holding GmbH** Germany **EAGLE Certification Group** USA **FCAV** Brazil **FONDONORMA** Venezuela **ICONTEC**
Colombia **ICS** Bosnia and Herzegovina **Inspecta Sertifiointi Oy** Finland **INTECO** Costa Rica **IRAM** Argentina **JQA** Japan **KFQ** Korea
LSQA Uruguay **MIRTEC** Greece **MSZT** Hungary **Nemko AS** Norway **NSAI** Ireland **NYCE-SIGE** México **PCBC** Poland **Quality Austria**
Austria **SII** Israel **SIQ** Slovenia **SIRIM QAS International** Malaysia **SQS** Switzerland **SRAC** Romania **TSE** Türkiye **YUQS** Serbia

* The list of IQNET Members is valid at the time of issue of this certificate. Updated information is available under www.iqnet-certification.com



www.imq.it



IQNet, the association of the world's first class certification bodies, is the largest provider of management System Certification in the world. IQNet is composed of more than 30 bodies and counts over 150 subsidiaries all over the globe.

CERTIFICATO N. CERTIFICATE N. 9124.IST2

SI CERTIFICA CHE IL SISTEMA DI GESTIONE PER LA QUALITA' DI
WE HEREBY CERTIFY THAT THE QUALITY MANAGEMENT SYSTEM OPERATED BY

STEELCO SPA

VIA BALEGANTE 27 - 31039 RIESE PIO X (TV)

UNITA' OPERATIVE / OPERATIVE UNITS

Vedere gli Allegati per le Unità Operative (n° 5 pagine)
View the Annexes for the Operative Units (n° 5 pages)

E' CONFORME ALLA NORMA / IS IN COMPLIANCE WITH THE STANDARD

ISO 13485:2016

PER LE SEGUENTI ATTIVITA' / FOR THE FOLLOWING ACTIVITIES

Progettazione, produzione, immissione in commercio, installazione, assistenza e commercializzazione di lavastumenti e lavacarrelli a termodisinfezione, lavastumenti per decontaminazione, sterilizzatori a bassa temperatura, lavapadelle, lavastumenti ad ultrasuoni per dispositivi medici ed apparecchi per il lavaggio, disinfezione e sterilizzazione chimica degli endoscopi termolabili e relativi accessori. Gestione della progettazione e della produzione, immissione in commercio di sterilizzatrici a vapore, autoclavi a vapore per disinfezione di dispositivi medici quali materassi e cuscini ospedalieri e relativi accessori. Gestione della progettazione e della produzione, immissione in commercio e commercializzazione di soluzioni disinfettanti per dispositivi medici invasivi e non invasivi
Design, manufacture, installation, placing on the market, service and trading of washer disinfectors for instruments and trolleys, instruments decontamination units, low temperature sterilizers, bedpan washers, instruments washers by ultrasounds for medical devices and equipment for the chemical washing, disinfection and sterilization of thermolable endoscopes and related accessories. Design and manufacture management, placing on the market of steam sterilizers units, steam disinfectors of medical devices, such as hospital mattresses and pillows and related accessories. Design and manufacture management, placing on the market and trading of disinfectant solutions for invasive and noninvasive medical devices

Ulteriori informazioni riguardanti l'applicabilità dei requisiti ISO 13485:2016 possono essere ottenute consultando l'organizzazione
Further clarifications regarding the applicability of ISO 13485:2016 requirements may be obtained by consulting the organization

IL PRESENTE CERTIFICATO E' SOGGETTO AL RISPETTO DEL
REGOLAMENTO PER LA CERTIFICAZIONE DEI SISTEMI DI GESTIONE
THE USE AND THE VALIDITY OF THE CERTIFICATE SHALL SATISFY THE
REQUIREMENTS OF THE RULES FOR CERTIFICATION OF MANAGEMENT SYSTEMS

DATE:	PRIMA CERTIFICAZIONE FIRST CERTIFICATION	EMISSIONE CORRENTE CURRENT ISSUE	SCADENZA EXPIRY
	2006-05-05	2021-08-30	2024-04-22

IMQ S.p.A. - VIA QUINTILIANO, 43 - 20138 MILANO ITALY
Management Systems Division - Flavio Ornago



SGQ N° 005 A

Membro degli Accordi di Mutuo Riconoscimento EA, IAF e ILAC
Signatory of EA, IAF and ILAC Mutual Recognition Agreements

La validità del certificato è subordinata a sorveglianza annuale e riesame completo del Sistema di Gestione con periodicità triennale
The validity of the certificate is submitted to annual audit and a reassessment of the entire management System within three years



Organismo di Certificazione Federato CISQ
www.imq.it



www.cisq.com

CISQ è la Federazione Italiana di Organismi di Certificazione dei sistemi di gestione aziendale.
CISQ is the Italian Federation of management system Certification Bodies.



www.imq.it

CISQ is a member of



IQNet, the association of the world's first class certification bodies, is the largest provider of management System Certification in the world. IQNet is composed of more than 30 bodies and counts over 150 subsidiaries all over the globe.

ERTIFICATO N. CERTIFICATE N. 9120.IST1

SI CERTIFICA CHE IL SISTEMA DI GESTIONE PER LA QUALITA' DI
WE HEREBY CERTIFY THAT THE QUALITY MANAGEMENT SYSTEM OPERATED BY

STEELCO SPA

VIA BALEGANTE 27 - 31039 RIESE PIO X (TV)

UNITA' OPERATIVE / OPERATIVE UNITS

Vedere gli Allegati per le Unità Operative (n° 5 pagine)
View the Annexes for the Operative Units (n° 5 pages)

E' CONFORME ALLA NORMA / IS IN COMPLIANCE WITH THE STANDARD

ISO 9001:2015

PER LE SEGUENTI ATTIVITA' / FOR THE FOLLOWING ACTIVITIES

Progettazione, produzione, installazione e assistenza di lavastrumenti e lavacarrelli a termodisinfazione, lavastrumenti per decontaminazione, sterilizzatori a vapore e/o a bassa temperatura, lavastrumenti ad ultrasuoni, passacarrelli e relativi accessori per i settori laboratorio e stabulario. Progettazione, produzione, installazione ed assistenza di apparecchi e relativi accessori di apparecchi per il lavaggio e disinfezione di vetreria, strumenti, carrelli, contenitori e parti di macchine speciali per il settore farmaceutico. Commercializzazione di lavastrumenti per decontaminazione, sterilizzatori a vapore e relativi accessori. Commercializzazione di arredi ed attrezzature/accessori a supporto dei processi di lavaggio, disinfezione, sterilizzazione e stoccaggio di attrezzature e strumenti
Design, manufacture, installation and service of washer disinfectors for instruments and trolleys, instruments decontamination units, steam sterilizers units and/or low temperature sterilizers, instruments washers by ultrasounds, passthrough cabinets and related accessories for laboratory and life science industries. Design, manufacture, installation and service of washing and disinfecting equipment as washer disinfectors for instruments and trolleys, containers and special machine parts for pharmaceutical industry. Sale of furniture and equipment/accessories for washing, disinfection, sterilization and storage processes for tools and instruments

Ulteriori informazioni riguardanti l'applicabilità dei requisiti ISO 9001:2015 possono essere ottenute consultando l'organizzazione
Further clarifications regarding the applicability of ISO 9001:2015 requirements may be obtained by consulting the organization

IL PRESENTE CERTIFICATO E' SOGGETTO AL RISPETTO DEL
REGOLAMENTO PER LA CERTIFICAZIONE DEI SISTEMI DI GESTIONE
THE USE AND THE VALIDITY OF THE CERTIFICATE SHALL SATISFY THE
REQUIREMENTS OF THE RULES FOR CERTIFICATION OF MANAGEMENT SYSTEMS

DATE:	PRIMA CERTIFICAZIONE FIRST CERTIFICATION 2006-05-05	EMISSIONE CORRENTE CURRENT ISSUE 2021-03-25	SCADENZA EXPIRY 2024-04-22
-------	---	---	----------------------------------

IMQ S.p.A. - VIA QUINTILIANO, 43 - 20138 MILANO ITALY
Management Systems Division - Flavio Ornago



IAF: 19, 18, 29



www.cisq.com

SGQ N° 005 A

Membro degli Accordi di Mutuo Riconoscimento EA, IAF e ILAC
Signatory of EA, IAF and ILAC Mutual Recognition Agreements

La validità del certificato è subordinata a sorveglianza annuale e riesame completo del Sistema di Gestione con periodicità triennale
The validity of the certificate is submitted to annual audit and a reassessment of the entire management System within three years

Organismo di Certificazione Federato CISQ
www.imq.it

CISQ è la Federazione Italiana di Organismi di Certificazione dei sistemi di gestione aziendale.
CISQ is the Italian Federation of management system Certification Bodies.



www.imq.it

ALLEGATO N. 9120.IST1-1
ANNEX N.



*IQNet, the association of the world's first class certification bodies, is the largest provider of management System Certification in the world.
IQNet is composed of more than 30 bodies and counts over 150 subsidiaries all over the globe.*

STEELCO SPA

VIA BALEGANTE 27 - 31039 RIESE PIO X (TV)

Attività:
Activities:

Progettazione, produzione, installazione, assistenza e commercializzazione di lavastumenti e lavacarrelli a termodisfezione, lavastumenti per decontaminazione, sterilizzatori a bassa temperatura, lavastumenti ad ultrasuoni e relativi accessori per i settori laboratorio e stabulario.
Progettazione, produzione di sterilizzatrici a vapore (secondo procedura di OBL con fornitore esterno)
Design, manufacture, installation, service and trading of washer disinfectors for instruments and trolleys, instruments decontamination units, low temperature sterilizers, instruments washers by ultrasounds and related accessories for laboratory and life science industries. Design, manufacture of steam sterilizers units (according to procedure of OBL with external supplier)

IL PRESENTE ALLEGATO HA LO SCOPO DI ESPLICITARE LE ATTIVITA' SVOLTE PRESSO IL SINGOLO SITO/UNITA' OPERATIVA NELL'AMBITO DELLA CERTIFICAZIONE DEL SISTEMA DI GESTIONE RILASCIATA A STEELCO SPA
THE AIM OF PRESENT ANNEX IS TO EXPLAIN THE ACTIVITIES PERFORMED IN EACH SITE/OPERATIVE UNIT OF THE MANAGEMENT SYSTEM CERTIFICATION ISSUED TO STEELCO SPA
PER LA VALIDITA' RIFERIRSI AL CERTIFICATO N. 9120.IST1
FOR THE VALIDITY PLEASE REFER TO CSQ CERTIFICATE N. 9120.IST1

DATE:	PRIMA CERTIFICAZIONE <i>FIRST CERTIFICATION</i>	EMISSIONE CORRENTE <i>CURRENT ISSUE</i>	SCADENZA <i>EXPIRY</i>
	2006-05-05	2021-03-25	2024-04-22

IMQ S.p.A. - VIA QUINTILIANO, 43 - 20138 MILANO ITALY
Management Systems Division - Flavio Ornago



SGQ N° 005 A

Membro degli Accordi di Mutuo Riconoscimento EA, IAF e ILAC
Signatory of EA, IAF and ILAC Mutual Recognition Agreements

Il presente documento integra il certificato n. 9120.IST1
This document is a part of certificate n. 9120.IST1

IAF: 19, 18, 29

La validità del certificato è subordinata a sorveglianza annuale e riesame completo del Sistema di Gestione con periodicità triennale
The validity of the certificate is submitted to annual audit and a reassessment of the entire management System within three years



Organismo di Certificazione Federato CISQ
www.imq.it



www.cisq.com

CISQ è la Federazione Italiana di Organismi di Certificazione dei sistemi di gestione aziendale.
CISQ is the Italian Federation of management system Certification Bodies.



www.imq.it

ALLEGATO N. 9120.IST1-2
ANNEX N.



THE INTERNATIONAL CERTIFICATION NETWORK
www.iqnet-certification.com

*IQNet, the association of the world's first class certification bodies, is the largest provider of management System Certification in the world.
IQNet is composed of more than 30 bodies and counts over 150 subsidiaries all over the globe.*

STEELCO SPA

VIA DEL LAVORO 12 - 31039 RIESE PIO X (TV)

Attività:
Activities:

Produzione (lavorazioni meccaniche e conservazione materie prime)
Manufacture (mechanical processing and storing raw materials)

IL PRESENTE ALLEGATO HA LO SCOPO DI ESPLICITARE LE ATTIVITA' SVOLTE PRESSO IL SINGOLO
SITO/UNITA' OPERATIVA NELL'AMBITO DELLA CERTIFICAZIONE DEL SISTEMA DI GESTIONE
RILASCIATA A STEELCO SPA

*THE AIM OF PRESENT ANNEX IS TO EXPLAIN THE ACTIVITIES PERFORMED IN EACH SITE/OPERATIVE UNIT
OF THE MANAGEMENT SYSTEM CERTIFICATION ISSUED TO STEELCO SPA*

PER LA VALIDITA' RIFERIRSI AL CERTIFICATO N. 9120.IST1
FOR THE VALIDITY PLEASE REFER TO CSQ CERTIFICATE N. 9120.IST1

DATE:	PRIMA CERTIFICAZIONE FIRST CERTIFICATION	EMISSIONE CORRENTE CURRENT ISSUE	SCADENZA EXPIRY
	2006-05-05	2021-03-25	2024-04-22

IMQ S.p.A. - VIA QUINTILIANO, 43 - 20138 MILANO ITALY
Management Systems Division - Flavio Ornago



SGQ N° 005 A

Membro degli Accordi di Mutuo Riconoscimento EA, IAF e ILAC
Signatory of EA, IAF and ILAC Mutual Recognition Agreements

Il presente documento integra il certificato n. 9120.IST1
This document is a part of certificate n. 9120.IST1

IAF: 18

La validità del certificato è subordinata a sorveglianza annuale e riesame completo del Sistema di Gestione con periodicità triennale
The validity of the certificate is submitted to annual audit and a reassessment of the entire management System within three years



Organismo di Certificazione Federato CISQ
www.imq.it



www.cisq.com

CISQ è la Federazione Italiana di Organismi di Certificazione dei sistemi di gestione aziendale.
CISQ is the Italian Federation of management system Certification Bodies.



www.imq.it

ALLEGATO N. 9120.IST1-3
ANNEX N.



*IQNet, the association of the world's first class certification bodies, is the largest provider of management System Certification in the world.
IQNet is composed of more than 30 bodies and counts over 150 subsidiaries all over the globe.*

STEELCO SPA

VIA DEL LAVORO 10 - 31039 RIESE PIO X (TV)

Attività:
Activities:

Progettazione, produzione, installazione ed assistenza di apparecchi e relativi accessori per il lavaggio e disinfezione di vetreria, strumenti, carrelli, contenitori e parti di macchine speciali per il settore farmaceutico
Design, manufacture, installation and service of equipment and related accessories for washing and disinfecting instruments and trolleys, containers and special machine parts for pharmaceutical industry

IL PRESENTE ALLEGATO HA LO SCOPO DI ESPLICITARE LE ATTIVITA' SVOLTE PRESSO IL SINGOLO SITO/UNITA' OPERATIVA NELL'AMBITO DELLA CERTIFICAZIONE DEL SISTEMA DI GESTIONE RILASCIATA A STEELCO SPA
THE AIM OF PRESENT ANNEX IS TO EXPLAIN THE ACTIVITIES PERFORMED IN EACH SITE/OPERATIVE UNIT OF THE MANAGEMENT SYSTEM CERTIFICATION ISSUED TO STEELCO SPA

PER LA VALIDITA' RIFERIRSI AL CERTIFICATO N. 9120.IST1
FOR THE VALIDITY PLEASE REFER TO CSQ CERTIFICATE N. 9120.IST1

DATE:	PRIMA CERTIFICAZIONE <i>FIRST CERTIFICATION</i>	EMISSIONE CORRENTE <i>CURRENT ISSUE</i>	SCADENZA <i>EXPIRY</i>
	2006-05-05	2021-03-25	2024-04-22

IMQ S.p.A. - VIA QUINTILIANO, 43 - 20138 MILANO ITALY
Management Systems Division - Flavio Ornago



SGQ N° 005 A

Membro degli Accordi di Mutuo Riconoscimento EA, IAF e ILAC
Signatory of EA, IAF and ILAC Mutual Recognition Agreements

Il presente documento integra il certificato n. 9120.IST1
This document is a part of certificate n. 9120.IST1

IAF: 19, 18

La validità del certificato è subordinata a sorveglianza annuale e riesame completo del Sistema di Gestione con periodicità triennale
The validity of the certificate is submitted to annual audit and a reassessment of the entire management System within three years



Organismo di Certificazione Federato CISQ
www.imq.it



www.cisq.com

CISQ è la Federazione Italiana di Organismi di Certificazione dei sistemi di gestione aziendale.
CISQ is the Italian Federation of management system Certification Bodies.



www.imq.it

ALLEGATO N. 9120.IST1-4
ANNEX N.



IQNet, the association of the world's first class certification bodies, is the largest provider of management System Certification in the world. IQNet is composed of more than 30 bodies and counts over 150 subsidiaries all over the globe.

STEELCO SPA

VIA DEL LAVORO 3 - 31039 RIESE PIO X (TV)

Attività:
Activities:

Progettazione, produzione, installazione ed assistenza di lavastrumenti e lavacarrelli a termodisinfezione, lavastrumenti per decontaminazione, apparecchi per il lavaggio/disinfezione e relativi accessori

Design, manufacture, installation and service of washer disinfectors for instruments and trolleys, instruments decontamination units, washing/disinfection devices and related accessories

IL PRESENTE ALLEGATO HA LO SCOPO DI ESPlicitARE LE ATTIVITA' SVOLTE PRESSO IL SINGOLO SITO/UNITA' OPERATIVA NELL'AMBITO DELLA CERTIFICAZIONE DEL SISTEMA DI GESTIONE RILASCIATA A STEELCO SPA

THE AIM OF PRESENT ANNEX IS TO EXPLAIN THE ACTIVITIES PERFORMED IN EACH SITE/OPERATIVE UNIT OF THE MANAGEMENT SYSTEM CERTIFICATION ISSUED TO STEELCO SPA

PER LA VALIDITA' RIFERIRSI AL CERTIFICATO N. 9120.IST1
FOR THE VALIDITY PLEASE REFER TO CSQ CERTIFICATE N. 9120.IST1

DATE:	PRIMA CERTIFICAZIONE FIRST CERTIFICATION 2006-05-05	EMISSIONE CORRENTE CURRENT ISSUE 2021-03-25	SCADENZA EXPIRY 2024-04-22
--------------	---	---	----------------------------------

IMQ S.p.A. - VIA QUINTILIANO, 43 - 20138 MILANO ITALY
Management Systems Division - Flavio Ornago



SGQ N° 005 A

Membro degli Accordi di Mutuo Riconoscimento EA, IAF e ILAC Signatory of EA, IAF and ILAC Mutual Recognition Agreements

Il presente documento integra il certificato n. 9120.IST1
This document is a part of certificate n. 9120.IST1

IAF: 19

La validità del certificato è subordinata a sorveglianza annuale e riesame completo del Sistema di Gestione con periodicità triennale
The validity of the certificate is submitted to annual audit and a reassessment of the entire management System within three years



Organismo di Certificazione Federato CISQ
www.imq.it



www.cisq.com

CISQ è la Federazione Italiana di Organismi di Certificazione dei sistemi di gestione aziendale. CISQ is the Italian Federation of management system Certification Bodies.



www.imq.it

ALLEGATO N. 9120.IST1-5
ANNEX N.



IQNet, the association of the world's first class certification bodies, is the largest provider of management System Certification in the world.
IQNet is composed of more than 30 bodies and counts over 150 subsidiaries all over the globe.

STEELCO SPA

VIA DEL LAVORO 9/A - 31039 RIESE PIO X (TV)

Attività:
Activities:

Progettazione e produzione di passacarrelli, accessori e componenti delle lavastumenti o sterilizzatrici quali i sistemi di trasporto automatici
Design and manufacture of passthrough cabinets, accessories and components of instrument washers or sterilizers as the automatic transport systems

IL PRESENTE ALLEGATO HA LO SCOPO DI ESPLICITARE LE ATTIVITA' SVOLTE PRESSO IL SINGOLO SITO/UNITA' OPERATIVA NELL'AMBITO DELLA CERTIFICAZIONE DEL SISTEMA DI GESTIONE RILASCIATA A STEELCO SPA
THE AIM OF PRESENT ANNEX IS TO EXPLAIN THE ACTIVITIES PERFORMED IN EACH SITE/OPERATIVE UNIT OF THE MANAGEMENT SYSTEM CERTIFICATION ISSUED TO STEELCO SPA

PER LA VALIDITA' RIFERIRSI AL CERTIFICATO N. 9120.IST1
FOR THE VALIDITY PLEASE REFER TO CSQ CERTIFICATE N. 9120.IST1

DATE:	PRIMA CERTIFICAZIONE <i>FIRST CERTIFICATION</i>	EMISSIONE CORRENTE <i>CURRENT ISSUE</i>	SCADENZA <i>EXPIRY</i>
	2006-05-05	2021-03-25	2024-04-22

IMQ S.p.A. - VIA QUINTILIANO, 43 - 20138 MILANO ITALY
Management Systems Division - Flavio Ornago



SGQ N° 005 A

Membro degli Accordi di Mutuo Riconoscimento EA, IAF e ILAC
Signatory of EA, IAF and ILAC Mutual Recognition Agreements

Il presente documento integra il certificato n. 9120.IST1
This document is a part of certificate n. 9120.IST1

IAF: 19, 18

La validità del certificato è subordinata a sorveglianza annuale e riesame completo del Sistema di Gestione con periodicità triennale
The validity of the certificate is submitted to annual audit and a reassessment of the entire management System within three years



Organismo di Certificazione Federato CISQ
www.imq.it



www.cisq.com

CISQ è la Federazione Italiana di Organismi di Certificazione dei sistemi di gestione aziendale.
CISQ is the Italian Federation of management system Certification Bodies.



THE INTERNATIONAL CERTIFICATION NETWORK

CERTIFICATE

CISQ/IMQ has issued an IQNet recognized certificate that the organization:

STEELCO SPA

VIA BALEGANTE 27 - 31039 RIESE PIO X (TV)
 VIA DEL LAVORO 12 - 31039 RIESE PIO X (TV)
 VIA DEL LAVORO 10 - 31039 RIESE PIO X (TV)
 VIA DEL LAVORO 3 - 31039 RIESE PIO X (TV)
 VIA DEL LAVORO 9/A - 31039 RIESE PIO X (TV)

*has implemented and maintains a
 Quality Management System
 for the following scope:*

Design, manufacture, installation and service of washer disinfectors for instruments and trolleys, instruments decontamination units, steam sterilizers units and/or low temperature sterilizers, instruments washers by ultrasounds, passthrough cabinets and related accessories for laboratory and life science industries. Design, manufacture, installation and service of washing and disinfecting equipment as washer disinfectors for instruments and trolleys, containers and special machine parts for pharmaceutical industry. Sale of instruments decontamination units, steam sterilizers units and related accessories. Sale of furniture and equipment/accessories for washing, disinfection, sterilization and storage processes for tools and instruments

Further clarifications regarding the applicability of ISO 9001:2015 requirements may be obtained by consulting the organization

which fulfills the requirements of the following standard:

ISO 9001:2015

Issued on: 2021 - 03 - 25

Expires on: 2024 - 04 - 22

This attestation is directly linked to the IQNet Partner's original certificate and shall not be used as a stand-alone document

Registration Number: IT - 52077



*Alex Stoichitoiu
 President of IQNET*



*Ing. Mario Romersi
 President of CISQ*

IQNet Partners*:

AENOR Spain AFNOR Certification France APCER Portugal CCC Cyprus CISQ Italy
 CQC China CQM China CQS Czech Republic Cro Cert Croatia DQS Holding GmbH Germany EAGLE Certification Group USA
 FCAV Brazil FONDONORMA Venezuela ICONTEC Colombia Inspecta Sertifointi Oy Finland INTECO Costa Rica
 IRAM Argentina JQA Japan KFQ Korea MIRTEC Greece MSZT Hungary Nemko AS Norway NSAI Ireland
 NYCE-SIGE México PCBC Poland Quality Austria Austria RR Russia SII Israel SIQ Slovenia
 SIRIM QAS International Malaysia SQS Switzerland SRAC Romania TEST St Petersburg Russia TSE Turkey YUQS Serbia