

OPERATING LAMP Double Head Version Mounted**Technical Specifications**

- Lamp Features : LED Lamp
 Arm Joint Type : Spring Type Joint Arms
 Classification : Class 1 (MDD 93/42 EEC)
 Product Documents : CE
 Standards : EN 60601-1, EN 60601-2-41
- Digital and Analog models can be set according to customer needs.

**Material Specifications:**

- Lamp Head Material : Static Painted (RAL 9002) Aluminum / Polycarbonate
 Joint Handle Material : Static Painted (RAL 9002) Aluminium
 Sterile Handle Material : Plastic (ABS + PC)

The handle should be sterilized at 134 °C between 3,5-5 minutes and at 121°C during 10 minutes

**OPERATING LAMPS****Description**

Inspital LED operating lights are designed to meet all lighting and viewing requirements of operating theatres. Powerful LED technology with high-tech camera solution helps the surgeons to operate and view the surgery area clearly. Opera LED lights can be adapted in any size of operating theatres including large hybrid types with variety of models & combinations.

Feature

- 60 LED modules of the INSPITAL operating lights can be replaced individually
- INSPITAL design and replaced specially to get rid of shadows in the surgical room
- The doctors can discriminate the true colour of the system with INSPITAL operating lamps
- The lifespan of the operating lights is very long because of LED technology



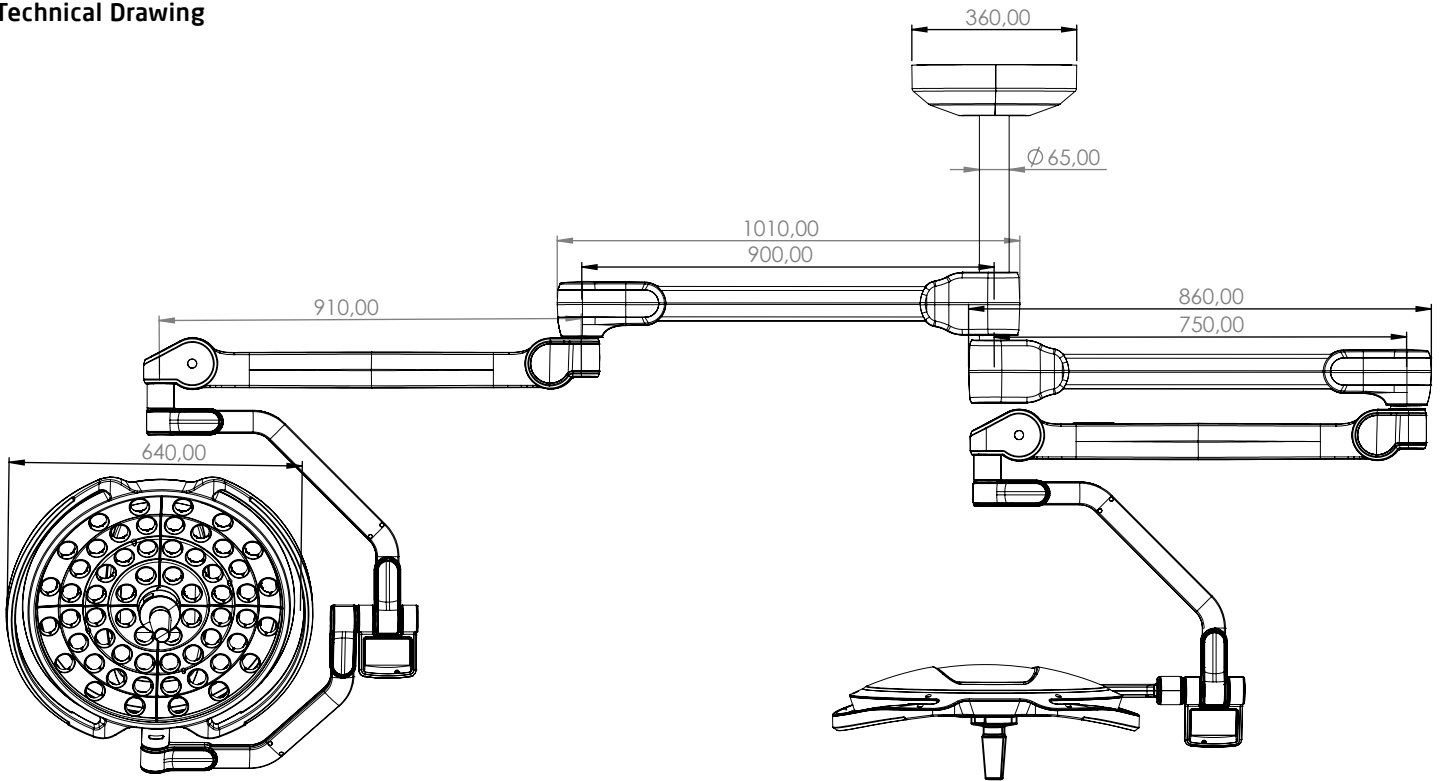
- The severity of the lamps can be set it's max. value by one touch
- The colour of the lamps are in 3000K and 5000K can be change by 250 K sensitivity
- Lamps height from the operating table is in between 90mm - 110mm , where the lux of lamps can be menagable
- Height of the Lamp could be set automatically or manually
- Thanks to auto light feature system does not loose any lux with blocking 1 portion out of 4
- System automatically can close the 1/4 of the its lambs to protect doctors head from heat that comes out of the lambs
- With the special head design of the lamps, the medical flow stays laminar
- The operating time of the lamps can be tracked easily from the touchpad of the system
- Laser choice could be used to see the center operation lights which will take approxiamtely 20 seconds
- 19" and 24" sized monitors are can beon the line with according the customer's request
- Even with changing diameter of the loperating lamps the lux loss is not an option with auto-light feature
- Endoscopy feature
- Additional camera with its adjustable zoom feature
- External battery can be added
- Because of the LED technology of the system , No harmful materials are produced, so lamps have a good relationship with our health
- Environmental friendly (No harmful UV rays)



TECHNICAL SPECIFICATIONS

Diameter of lighthead	Ø670 mm
Illumination power, at 1 m	160.000 Lux
Color temperature	3000 K - 5000 K
Color rendering index, Ra CRI	96%
Dimming Range	% 1-100
Light Field Diameter d10	24 - 36 cm/9.5"-14.2"
Light Field Diameter d50	13 - 28 cm/5.1"-11"
Number of LED modules	60
Lifetime of LED	>60.000 h
IP	IP 54
Total power consumption	130 W
Degree of turbulence(standard value 37.5% max.)	30%
Irradiance at nominal illuminance	200 W/m ²
UV radiation intensity	0,2 W/m ²
Depth of the volume of light L1 + L2 at 20%	130 cm /51.2"
Input Voltage	220-240 VAC / 50-60 Hz
Depth of Lightning (L1+L2) at 60%	76 cm/30"
Additional options	Touch Screen Pro Control Unit, Camera, Monitor, Battery Back Up

Technical Drawing



- Units are in "mm"