

APPLICATION FOR APPROVAL EXTENSION OF A TYPE OF PNEUMATIC TYRE  
ACCORDING TO ECE REGULATION No. 30, 02 SERIES OF AMENDMENTS

1. The Brand name(s) or trademark(s) <sup>(2)</sup> : GRENLANDER; ARIVO; T TYRE; CONSTANCY; ILINK; LUXXAN; RHINO; BESTRICH; CRYSTAL; ROCKBLADE; FRONWAY; SAILWIN; XBRI;
2. Trade description(s) or Commercial name(s) <sup>(2)</sup> : COLO H01; PREMIO ARZ1;THREE; L-GRIP66; LY168; ECOGREEN 66; VENUSATR 66; ECOLOGY; INSPIRER C4; ROCK 515; LY166; L-GRIP16; PREMIO ARZ2; INSPIRER E2; ECO155; TWO; E01; Enduring; ECOGREEN 16; POLARIS 16; ROCK 666; LY266; L-SPORT26; INSPIRER S2; UHP255; LY288; L-POWER28; DURAMAX 28; RACINGMAX 28; TRANSITO ARZ6-M; CITYMAX; INSPIRER L6; GTR501; E33; Strength; ROCK 818; LY688; L-COMFORT68; SAFEWAY 68; ANTARES 68; FASTWAY; INSPIRER C2; COMFORT355; E02; Cruise; ROCK 688; LY966; L-SNOW96; ICEPOWER 96; ICEWINNER 96; WINMASTER ARW1; INSPIRER W2; SNOWFORCE; E917; ROCK 616S; LY968; L-SNOW98; ICEPOWER 98; ICEWINNER 98; WINMASTER ARW4; INSPIRER W6; ROCK 918S; Winter GL868; LY868; ICEPOWER 868; ICEWINNER 868; WINMASTER ARW2; ROCK 868S; Winter IL868
3. Manufacturer's name and address : Shandong Longyue Rubber Co., Ltd.  
The South of Yalujiang Road, Wenzhuang Village Qinghe Agency of Cao County, Heze City, Shandong Province 274400 China (PROC)
4. If applicable, name and address of the manufacturer's representative : N.A.
5. Summarized description
- 5.1. Tyre size designation : 185/65R15
- 5.2. Category of use : ~~normal~~/snow/~~special use~~/~~temporary use~~ <sup>(1)</sup>
- 5.3. Structure : ~~diagonal/bias belted~~/radial/~~run flat~~ tyre <sup>(1)</sup>
- 5.4. Speed category symbol : H
- 5.5. Load-capacity index : 88
6. Overall dimensions : Calculated/~~Annex 5~~ <sup>(1)</sup>
- overall section width : 192
- outer diameter : 621
7. Factor 'x' : 0.70
8. Rims on which the tyre can be mounted : 5.5J
9. Measuring rim and test rim : See attached test report
10. State whether the tyre is : Tubeless / ~~tube type~~ <sup>(1)</sup>
11. State whether the tyre is : Standard / ~~reinforced~~ <sup>(1)</sup>
12. State if special use tyre : n.a.
- Professional Off-Road : ~~Yes~~ / ~~no~~ <sup>(1)</sup>
- Tread depth : n.a.
- Void to fill ratio : n.a.
13. Submitted for approval on (date) : Sep 15, 2018

We herewith declare that we have not applied and will not apply for approval with another Contracting Party of the ECE for the same type of product.

(1) Strike out what does not apply.

(2) Modified points are underlined for extension.



MANUFACTURER'S STAMP

Signature :



.....

Name: Li Kuiguan

THIS APPLICATION IS ACCOMPANIED BY:

- A drawing of the tyre's side wall, tread and dimensioned cross section.
- The test report.



- (1) Strike out what does not apply.
- (2) Modified points are underlined for extension.

**THE NETHERLANDS**  
(N E D E R L A N D)**COMMUNICATION**Concerning <sup>(1)</sup>:

- ~~approval granted~~
- approval extended
- ~~approval refused~~
- ~~approval withdrawn~~
- ~~production definitely discontinued~~

of a type of pneumatic tyre for motor vehicles pursuant to Regulation number 30.

**Approval number: E4-30R-0297202****Extension number: 02**

1. Manufacturer's name and address : Shandong Longyue Rubber Co., Ltd.  
The South of Yalujiang Road, Wenzhuang  
Village Qinghe Agency of Cao County,  
Heze city, Shandong Province, 274400  
China(PROC)
2. Tyre type designation<sup>(2)</sup>
  - 2.1. Brand-name(s) or trade mark(s) : GRENLANDER; ARIVO; T TYRE  
CONSTANCY; ILINK; LUXXAN; RHINO;  
BESTRICH; CRYSTAL; ROCKBLADE;  
FRONWAY; SAILWIN; XBRI;



- 2.2. Trade description(s)/ Commercial name(s) : COLO H01; PREMIO ARZ1;THREE; L-GRIP66; LY168; ECOGREEN 66; VENUSATR 66; ECOLOGY; INSPIRER C4; ROCK 515; LY166; L-GRIP16; PREMIO ARZ2; INSPIRER E2; ECO155; TWO; E01; Enduring; ECOGREEN 16; POLARIS 16; ROCK 666; LY266; L-SPORT26; INSPIRER S2; UHP255; LY288; L-POWER28; DURAMAX 28; RACINGMAX 28; TRANSITO ARZ6-M; CITYMAX; INSPIRER L6; GTR501; E33; Strength; ROCK 818; LY688; L-COMFORT68; SAFEWAY 68; ANTARES 68; FASTWAY; INSPIRER C2; COMFORT355; E02; Cruise; ROCK 688; LY966; L-SNOW96; ICEPOWER 96; ICEWINNER 96; WINMASTER ARW1; INSPIRER W2; SNOWFORCE; E917; ROCK 616S; LY968; L-SNOW98; ICEPOWER 98; ICEWINNER 98; WINMASTER ARW4; INSPIRER W6; ROCK 918S; Winter GL868; LY868; ICEPOWER 868; ICEWINNER 868; WINMASTER ARW2; ROCK 868S; Winter IL868
3. If applicable, name and address of the manufacturer's representative : not applicable
4. Summarised description
- 4.1. Tyre size designation : 185/65R15
- 4.2. Category of use : ~~normal~~/snow/~~special use~~/~~temporary use~~<sup>(1)</sup>
- 4.3. Structure : ~~diagonal/bias belted~~/radial/~~run flat tyre~~<sup>(1)</sup>
- 4.4. Speed category symbol : H
- 4.5. Load-capacity index : 88
5. Technical service and, where applicable, test laboratory approved for purposes of approval or of verification of conformity : TÜV Rheinland Kraftfahrt GmbH  
Technologiezentrum Verkehrssicherheit  
Typprüfstelle Fahrzeuge/Fahrzeugteile  
Am Grauen Stein  
D-51105 Köln (Poll)
6. Date of report issued by that service : November 16, 2018
7. Number of report issued by that service : 86-R30-3605/18-00



8. Reason(s) of extension (if applicable) : Addition of trade marks and trade descriptions  
Deletion of trade marks and trade descriptions
9. Any remarks : ---
10. Place : Zoetermeer
11. Date : 17-JAN-2019
12. Signature :

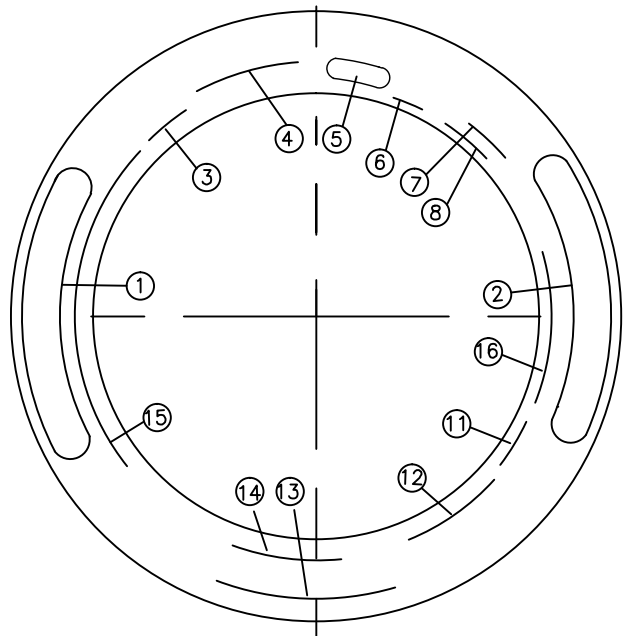
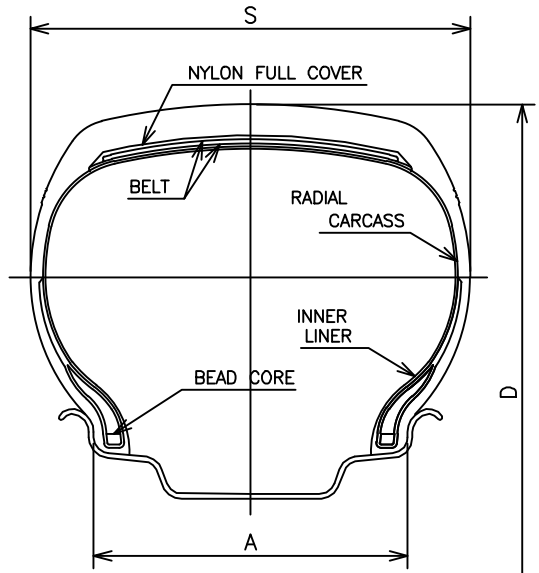


13. The list of documents in the approval file which are deposited at the administrative service having delivered the approval and which can be obtained upon request.
- Application form relating to ECE approval for a pneumatic tyre pursuant to Regulation number 30.
  - The drawing of the tyre's sidewalls, tread and dimensioned cross-section.
  - The test report as mentioned in item 7.

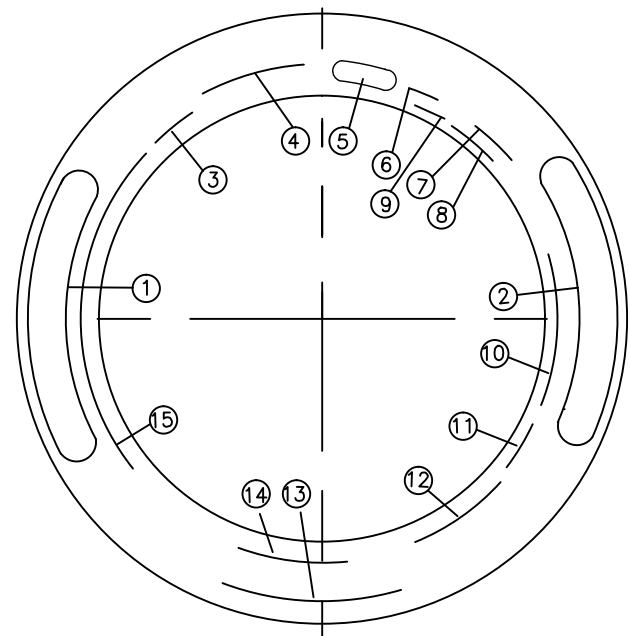
---

(1) Strike out what does not apply.

(2) A list of Brand name(s)/trademark(s) or Trade description(s)/ Commercial name(s) may be annexed to this communication



UPPER



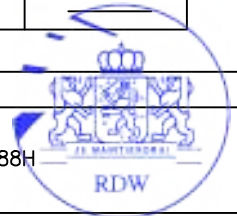
LOWER

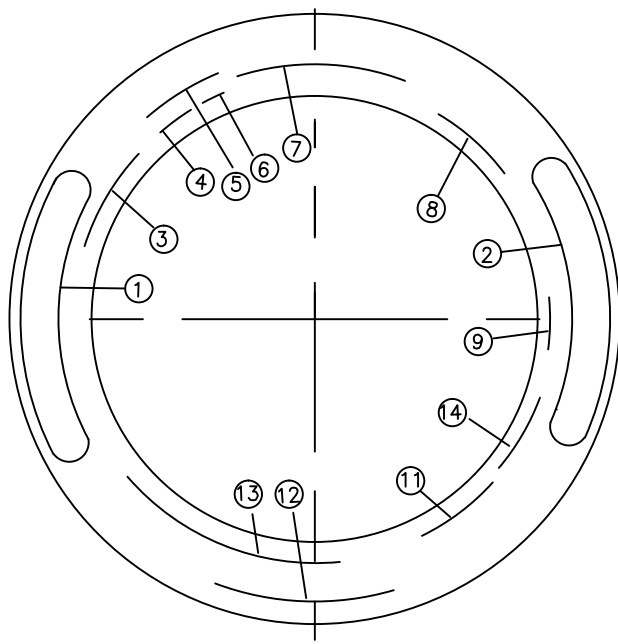
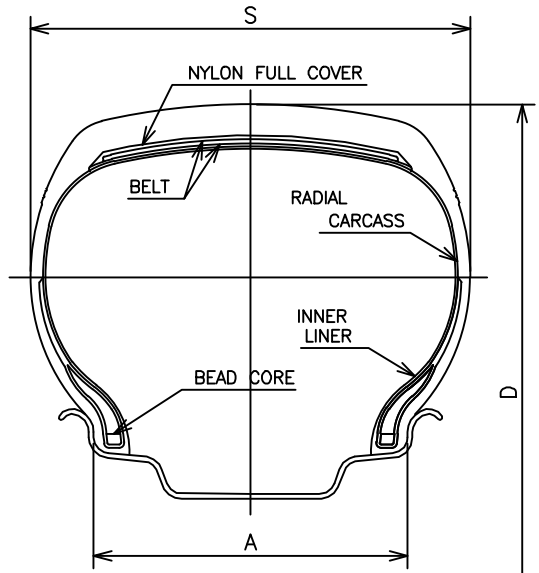
TREAD PATTERNS  
REFER TO ATTACHMENT NO.11

1	GRENLANDER; ARIVO; T TYRE; CONSTANCY; ILINK; LUXXAN; RHINO; BESTRICH; CRYSTAL; ROCKBLADE; FRONWAY; SAILWIN; XBRI;	9	MADE IN CHINA
2	COLO H01; PREMIO ARZ1; THREE; L-GRIP66; LY168; ECOGREEN 66; VENUSATR 66; ECOLOGY; INSPIRER C4; ROCK 515	10	DOT 17B ENDAPA XXXX (DATE CODE)
3	RIM: NOM. WIDTH 5½J	11	STEEL BELTED RADIAL
4	185/65R15 88H	12	PLIES: TREAD 1POLYESTER 2STEEL 1NYLON SIDEWALL 1POLYESTER
5	ECE APPROVAL MARK	13	TREADWEAR 420 TRACTION A TEMPERATURE A
6	M+S	14	U.S.A CANADA AUSTRALIA CODES ONLY MAX. LOAD 560 kg(1235 LBS) MAX. PRESSURE 300 kPa(44 PSI)
7	TUBELESS	15	SAFETY WARNING
8	MOLD No.	16	DOT 17B ENDAPA

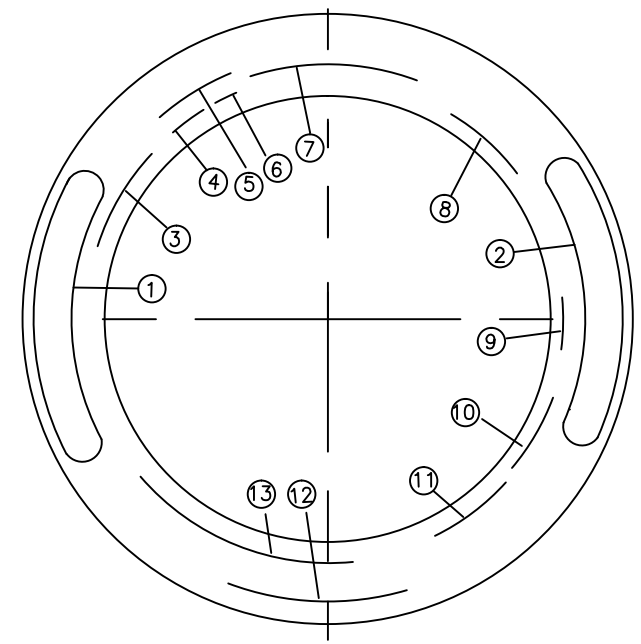
TIRE SIZE	D(mm)	S(mm)	A(mm)	LOAD INDEX SPEED CODE	REMARK
185/65R15	621	189	139.5	88H	

SCALE : FREE	DATE : 2018.10.17	DESIGNED BY	CHECKED BY	APPROVED BY	DRAWING NO.	
SHANDONG LONGYUE RUBBER CO., LTD.		Wang Tong	Xie Baoshan	Shen Maoqiao	TITLE	185/65R15 88H





UPPER



LOWER

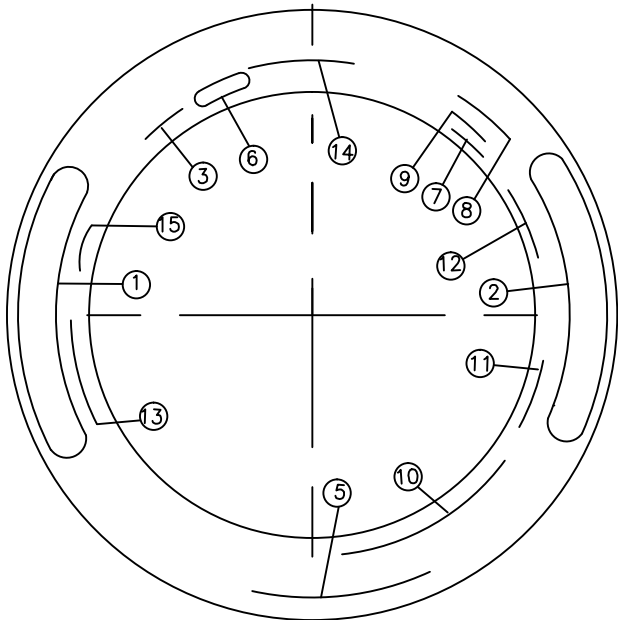
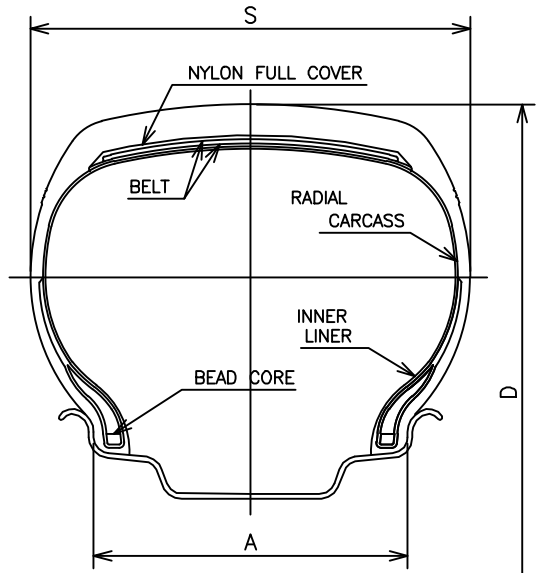
TREAD PATTERNS  
REFER TO ATTACHMENT NO.11

1	GRENLANDER; ARIVO; T TYRE; CONSTANCY; ILINK; LUXXAN; RHINO; BESTRICH; CRYSTAL; ROCKBLADE; FRONWAY; SAILWIN; XBRI;	8	MAX. LOAD 560 kg(1235 LBS) MAX. PRESS. 300 kPa(44 PSI)
2	LY166;INSPIRER E2;L-GRIP16;Enduring; ECOGREEN 16;PREMIO ARZ2;E01;ECOT55; ECOLOGY;TWO;POLARIS 16;ROCK 666	9	MADE IN CHINA
		10	DOT 17B XXXXXX XXXX (DATE CODE)
3	PLIES:TREAD 1POLYESTER+2STEEL+1NYLON SIDEWALL 1POLYESTER	11	ECE APPROVAL MARK
		12	TREADWEAR XXX TRACTION X TEMPERATURE X
4	RIM:5 1/2 J	13	SAFETY WARNING
5	RADIAL TUBELESS	14	DOT 17B XXXXXX
6	MOLD No.		
7	185/65R15 88H M+S		

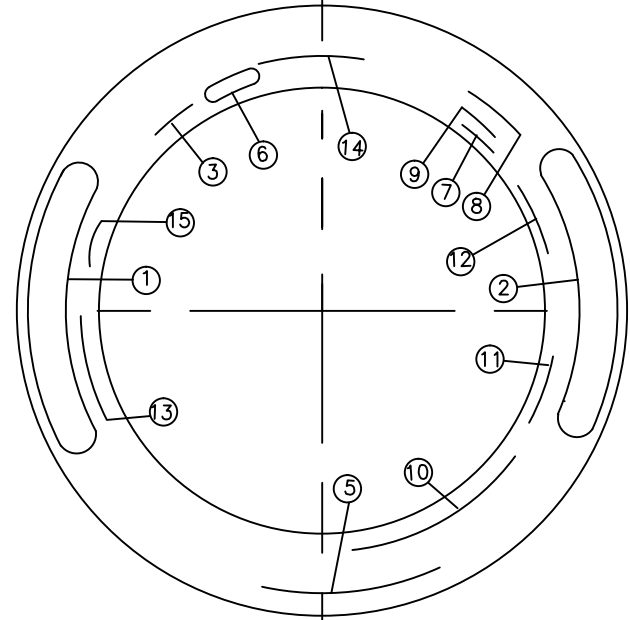
TIRE SIZE	D(mm)	S(mm)	A(mm)	LOAD INDEX SPEED CODE	REMARK
185/65R15	621	189	139.5	88H	

SCALE : FREE	DATE : 2018.10.17	DESIGNED BY	CHECKED BY	APPROVED BY	DRAWING NO.	
SHANDONG LONGYUE RUBBER CO., LTD.		Wang Tong	Li Ying	Shen Maoqiao	TITLE	185/65R15 88H





UPPER



LOWER

TREAD PATTERNS  
REFER TO ATTACHMENT NO.11

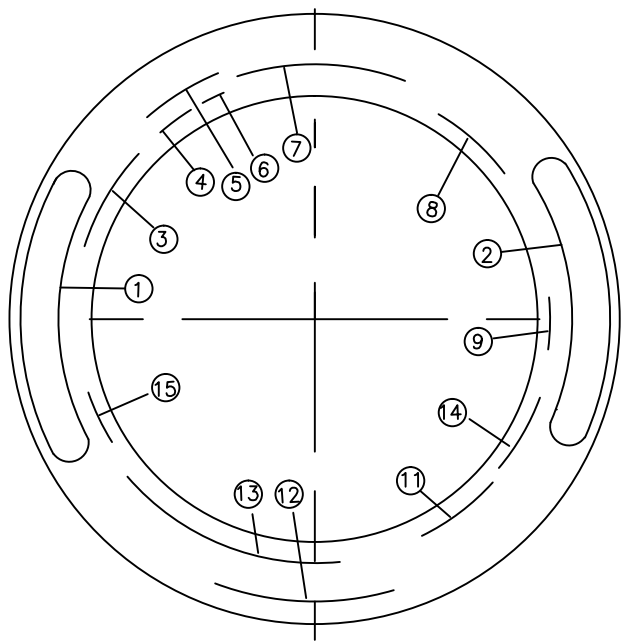
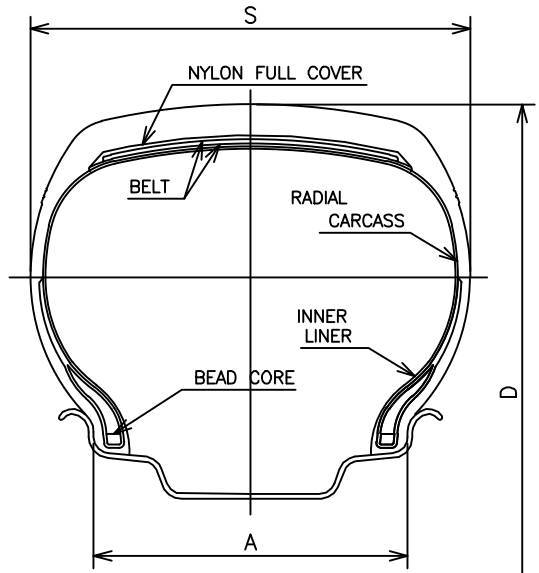
1	GRENLANDER; ARIVO; T TYRE; CONSTANCY; ILINK; LUXXAN; RHINO; BESTRICH; CRYSTAL; ROCKBLADE; FRONWAY; SAILWIN; XBRI;	9	STANDARD RIM: 5 1/2J
2	LY688;L-COMFORT68;Cruise;ANTARES 68; SAFEWAY 68;FASTWAY;COMFORT355; INSPIRER C2;E02;ROCK 688	10	SAFETY WARNING
3	RADIAL TUBELESS	11	MAX LOAD 560kg (1235LBS) MAX PRESS 300kPa (44PSI)
4	DOT 7BBF AD5 XXXX (DATE CODE)	12	PLIES:TREAD 1POLYESTER+2STEEL+1NYLON SIDEWALL 1POLYESTER
5	TREADWEAR 380 TRACTION A TEMPERATURE A	13	185/65R15 88H
6	ECE APPROVAL MARK	14	DOT 7BBF AD5
7	MADE IN CHINA	15	M+S
8	MOLD No.	16	

TIRE SIZE	D(mm)	S(mm)	A(mm)	LOAD INDEX SPEED CODE	REMARK
185/65R15	621	189	139.5	88H	

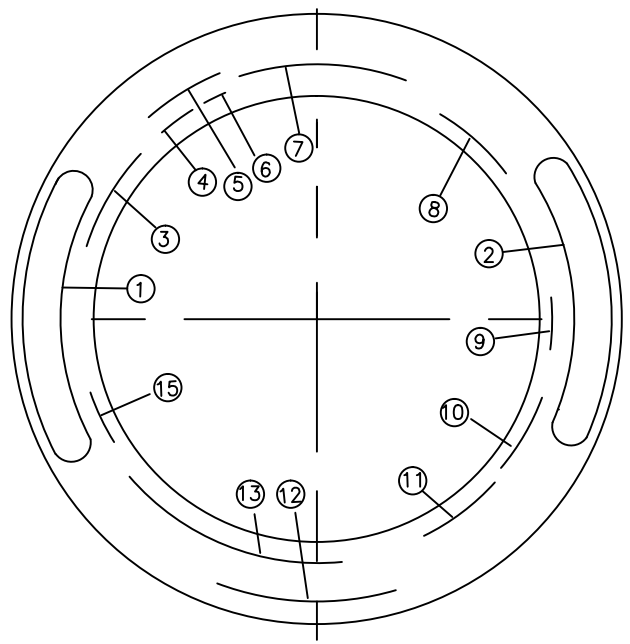
SCALE : FREE	DATE : 2018.10.17	DESIGNED BY	CHECKED BY	APPROVED BY	DRAWING NO.	
SHANDONG LONGYUE RUBBER CO., LTD.		Wang Tong	Xie Baoshan	Shen Maoqiao	TITLE	185/65R15 88H







UPPER



LOWER

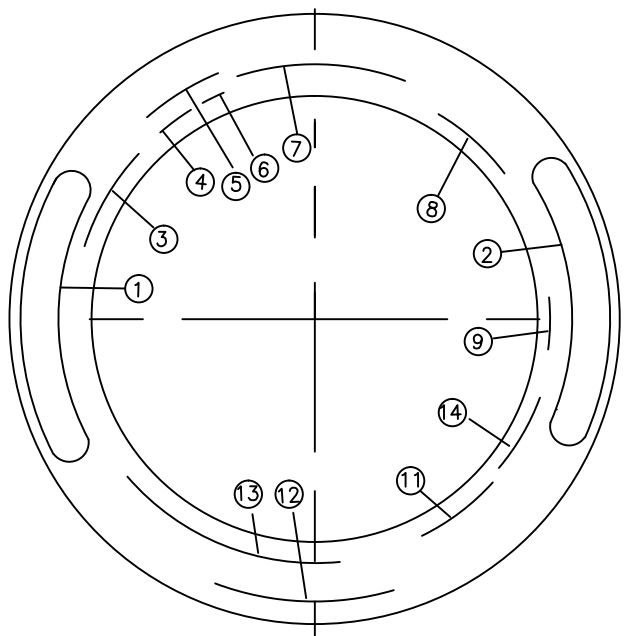
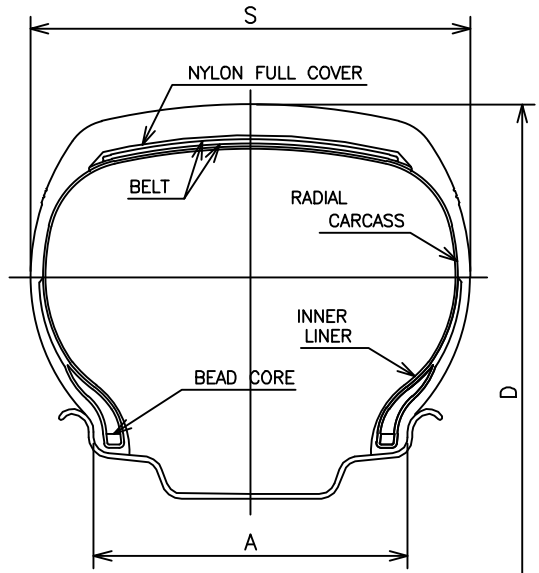
TREAD PATTERNS  
REFER TO ATTACHMENT NO.11

1	GRENLANDER; ARIVO; T TYRE; CONSTANCY; ILINK; LUXXAN; RHINO; BESTRICH; CRYSTAL; ROCKBLADE; FRONWAY; SAILWIN; XBRI;	8	MAX. LOAD 560 kg(1235 LBS) MAX. PRESS. 300 kPa(44 PSI)
2	LY266:L-SPORT26;UHP255;INSPIRER S2	9	MADE IN CHINA
3	PLIES:TREAD 1POLYESTER+2STEEL+1NYLON SIDEWALL 1POLYESTER	10	DOT 17B XXXXXX XXXX (DATE CODE)
		11	ECE APPROVAL MARK
4	RIM:5 1/2 J	12	TREADWEAR XXX TRACTION X TEMPERATURE X
5	RADIAL TUBELESS	13	SAFETY WARNING
6	MOLD No.	14	DOT 17B XXXXXX
7	185/65R15 88H M+S	15	OUTSIDE(LOWER)/INSIDE(UPPER)

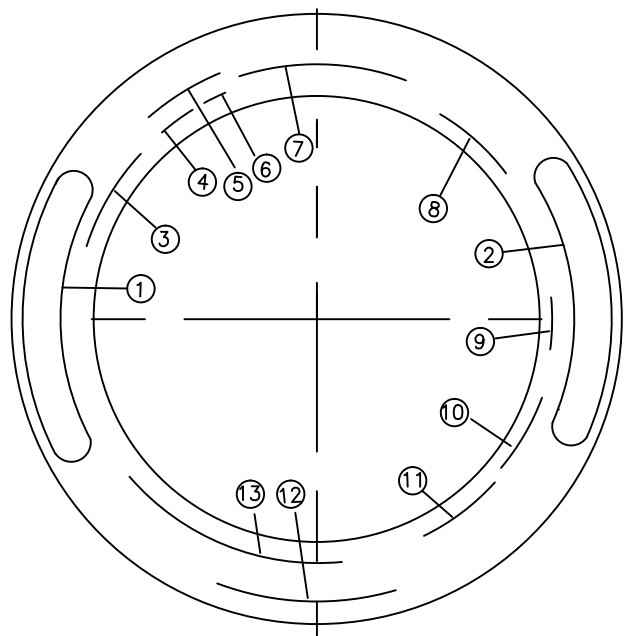
TIRE SIZE	D(mm)	S(mm)	A(mm)	LOAD INDEX SPEED CODE	REMARK
185/65R15	621	189	139.5	88H	

SCALE : FREE	DATE : 2018.10.17	DESIGNED BY	CHECKED BY	APPROVED BY	DRAWING NO.	
SHANDONG LONGYUE RUBBER CO., LTD.		Wang Tong	Li Ying	Shen Maoqiao	TITLE	185/65R15 88H





UPPER



LOWER

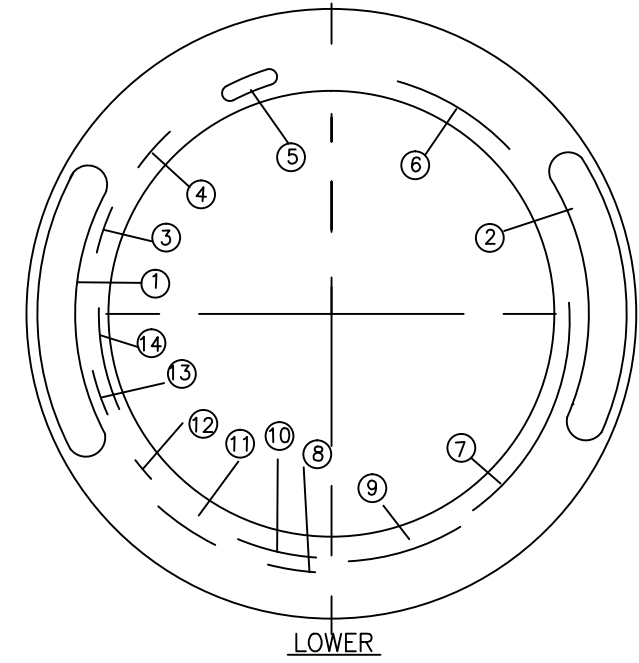
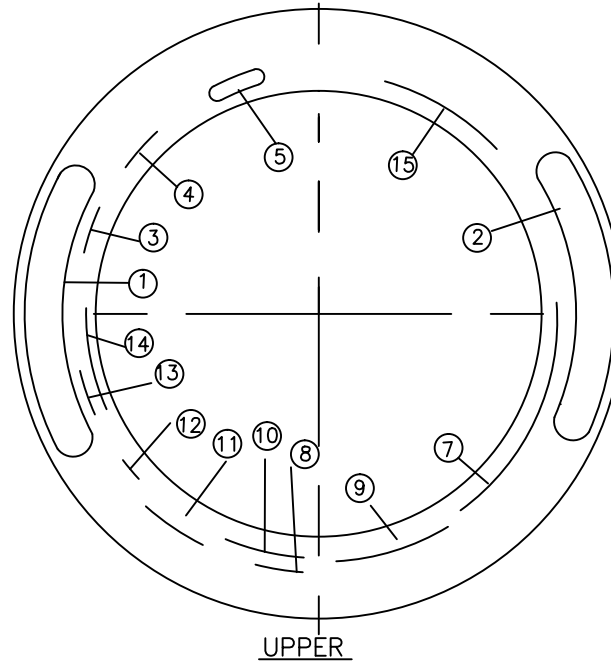
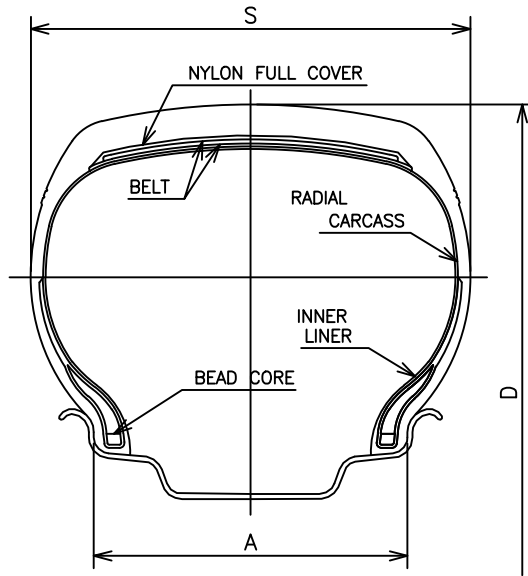
TREAD PATTERNS  
REFER TO ATTACHMENT NO.11

1	GRENLANDER; ARIVO; T TYRE; CONSTANCY; ILINK; LUXXAN; RHINO; BESTRICH; CRYSTAL; ROCKBLADE; FRONWAY; SAILWIN; XBRI;	8	MAX. LOAD 560 kg(1235 LBS) MAX. PRESS. 300 kPa(44 PSI)
2	LY288;L-POWER28;E33;CITYMAX;DURAMAX 28; Strength:INSPIRE L6;TRANSITO ARZ6-M; ROCK 818;GTR501;RACINGMAX 28	9	MADE IN CHINA
3	PLIES:TREAD 1POLYESTER+2STEEL+1NYLON SIDEWALL 1POLYESTER	10	DOT 17B XXXXXX XXXX (DATE CODE)
		11	ECE APPROVAL MARK
4	RIM:5 1/2 J	12	TREADWEAR XXX TRACTION X TEMPERATURE X
5	RADIAL TUBELESS	13	SAFETY WARNING
6	MOLD No.	14	DOT 17B XXXXXX
7	185/65R15 88H M+S		

TIRE SIZE	D(mm)	S(mm)	A(mm)	LOAD INDEX SPEED CODE	REMARK
185/65R15	621	189	139.5	88H	

SCALE : FREE	DATE : 2018.10.17	DESIGNED BY	CHECKED BY	APPROVED BY	DRAWING NO.	
SHANDONG LONGYUE RUBBER CO., LTD.		Wang Tong	Li Ying	Shen Maoqiao	TITLE	185/65R15 88H





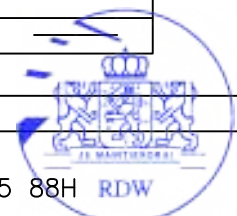
TREAD PATTERNS

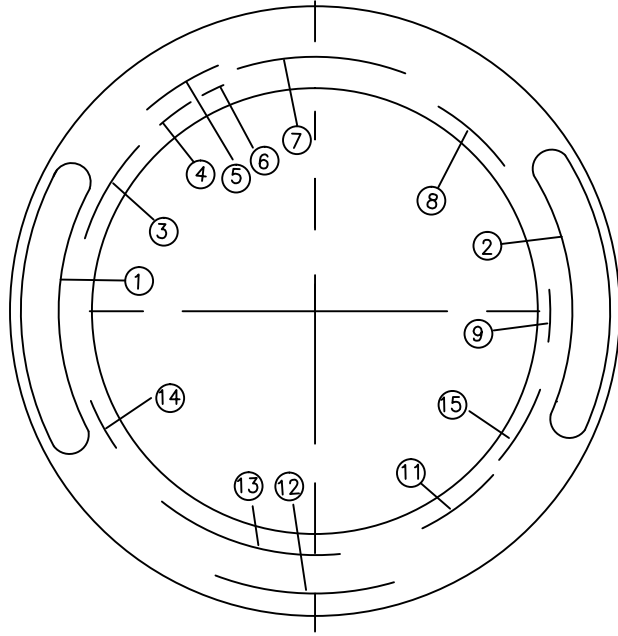
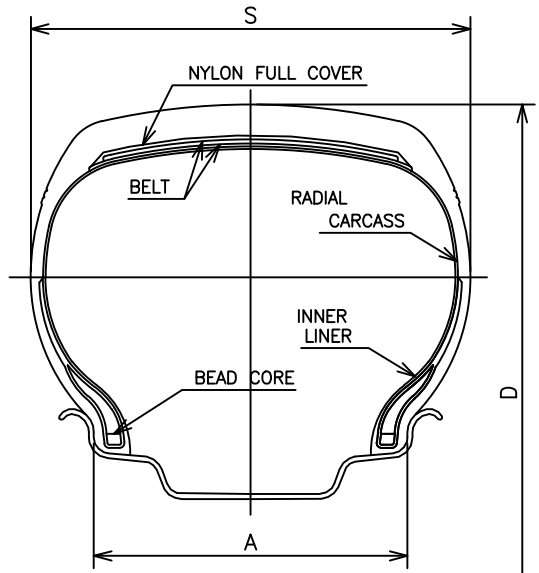
REFER TO ATTACHMENT NO.11

1	GRENLANDER; ARIVO; T TYRE; CONSTANCY; ILINK; LUXXAN; RHINO; BESTRICH; CRYSTAL; ROCKBLADE; FRONWAY; SAILWIN; XBRI;	9	TREADPLIES: 1 POLYESTER + 2 STEEL +1 NYLON SIDEWALL: 1 POLYESTER MAX.LOAD. 560 KG(1235 LBS). AT 300 KPA(44PSI).
2	LY966;ICEWINNER 96;L-SNOW96;ROCK 616S; ICEPOWER 96;E917; WINMASTER ARW1; SNOWFORCE;INSPIRER W2	10	MADE IN CHINA
		11	STANDARD RIM: 5 1/2J
3	M+S	12	
4	OUTSIDE(LOWER)/INSIDE(UPPER)	13	RADIAL TUBELESS
5	ECE APPROVAL MARK	14	185/65R15 88H
6	DOT 7BBF AW5 XXXX (DATE CODE)	15	DOT 7BBF AW5
7	SAFETY WARNING		
8	MOLD No.		

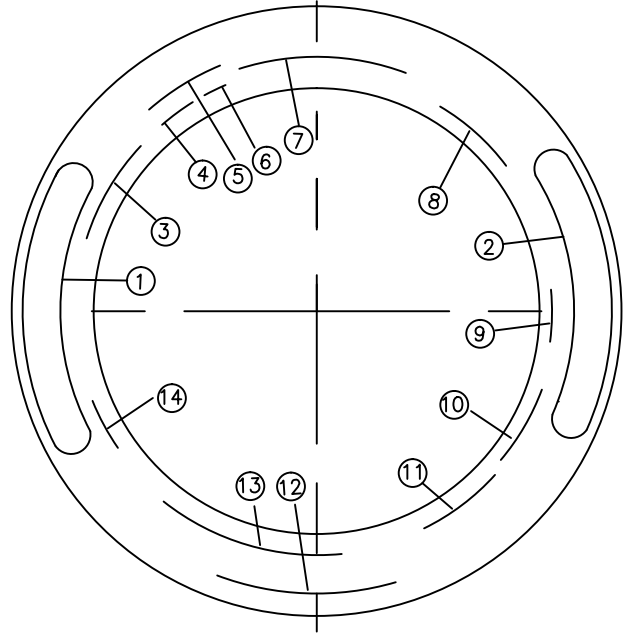
TIRE SIZE	D(mm)	S(mm)	A(mm)	LOAD INDEX SPEED CODE	REMARK
185/65R15	621	189	139.5	88H	

SCALE : FREE	DATE : 2018.10.17	DESIGNED BY	CHECKED BY	APPROVED BY	DRAWING NO.	
SHANDONG LONGYUE RUBBER CO., LTD.		Wang Tong	Xie Baoshan	Shen Maoqiao	TITLE	185/65R15 88H RDW





UPPER



LOWER

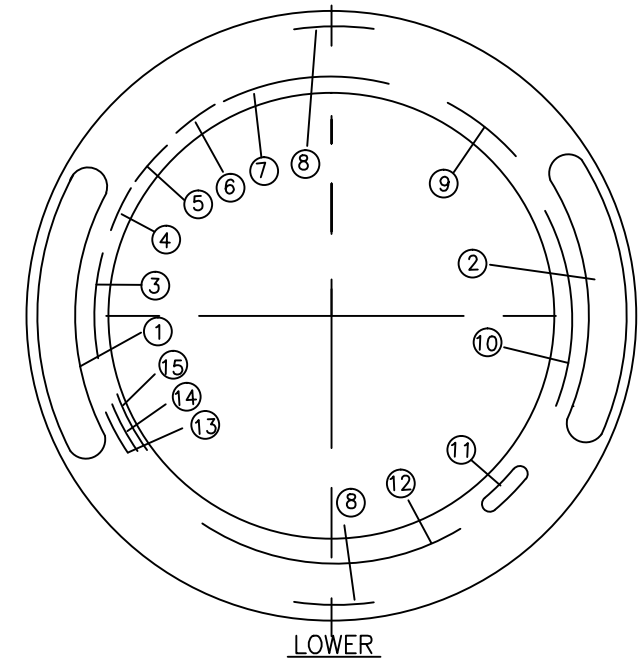
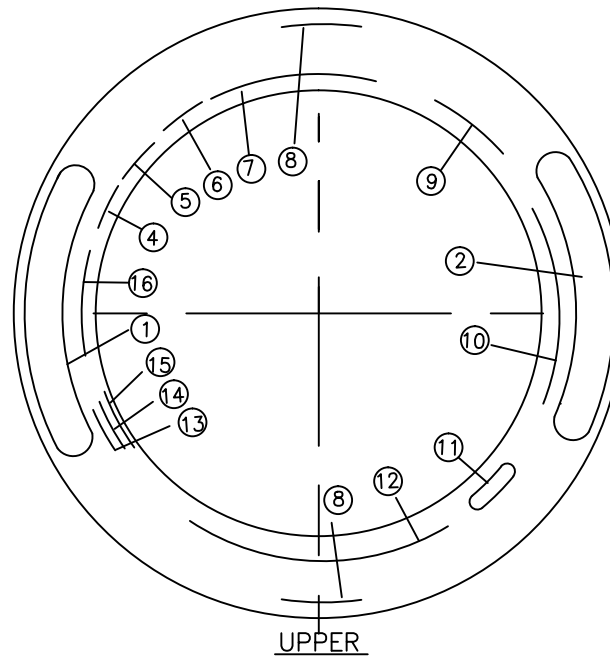
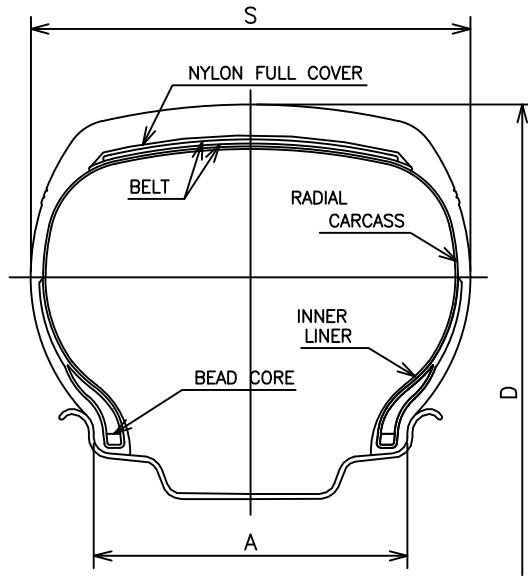
TREAD PATTERNS  
REFER TO ATTACHMENT NO.11

1	GRENLANDER; ARIVO; T TYRE; CONSTANCY; ILINK; LUXXAN; RHINO; BESTRICH; CRYSTAL; ROCKBLADE; FRONWAY; SAILWIN; XBRI;	8	MAX. LOAD 560 kg(1235 LBS) MAX. PRESS. 300 kPa(44 PSI)
2	LY968;L-SNOW98;WINMASTER ARW4; INSPIRER W6;ICEPOWER 98;ICEWINNER 98;ROCK 918S;	9	MADE IN CHINA
3	PLIES:TREAD 1POLYESTER+2STEEL+1NYLON SIDEWALL 1POLYESTER	10	DOT 17B XXXXXX XXXX (DATE CODE)
		11	ECE APPROVAL MARK
4	RIM:5 1/2 J	12	ROTATION
5	RADIAL TUBELESS	13	SAFETY WARNING
6	MOLD No.	14	
7	185/65R15 88H M+S	15	DOT 17B XXXXXX

TIRE SIZE	D(mm)	S(mm)	A(mm)	LOAD INDEX SPEED CODE	REMARK
185/65R15	621	189	139.5	88H	

SCALE : FREE	DATE : 2018.10.17	DESIGNED BY	CHECKED BY	APPROVED BY	DRAWING NO.	
SHANDONG LONGYUE RUBBER CO., LTD.		Wang Tong	Li Ying	Shen Maoqiao	TITLE	185/65R15 88H





TREAD PATTERNS  
REFER TO ATTACHMENT NO.11

1	GRENLANDER; ARIVO; T TYRE; CONSTANCY; ILINK; LUXXAN; RHINO; BESTRICH; CRYSTAL; ROCKBLADE; FRONWAY; SAILWIN; XBRI;	8	OUTSIDE(LOWER)/INSIDE(UPPER)
2	Winter_GL868;Winter_IL868;LY868;ICEPOWER 868; ICEWINNER 868;WINMASTER ARW2;ROCK 868S	9	MAX. LOAD 560kg (1235LBS) AT 300kPa (44PSI) COLD
3	DOT 17B ENDLPAxxxx(DATE CODE)	10	185/65R15 88H
4		11	ECE APPROVAL MARK
5	M+S	12	SAFETY WARNING
6	RADIAL TUBELESS	13	RIM: 5 1/2J
7	PLIES:TREAD 1POLYESTER 2STEEL 1NYLON SIDEWALL 1POLYESTER	14	MOLD No.
		15	MADE IN CHINA
		16	DOT 17B ENDLPA

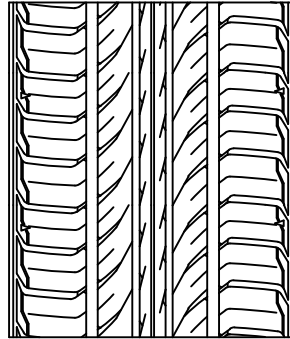
TIRE SIZE	D(mm)	S(mm)	A(mm)	LOAD INDEX SPEED CODE	REMARK
185/65R15	621	189	139.5	88H	

SCALE : FREE	DATE : 2018.10.17	DESIGNED BY	CHECKED BY	APPROVED BY	DRAWING NO.	
SHANDONG LONGYUE RUBBER CO., LTD.		Wang Tong	Xie Baoshan	Shen Maoqiao	TITLE	185/65R15 88H RDW

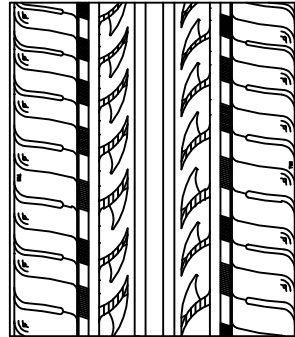


# ATTACHMENT NO.11

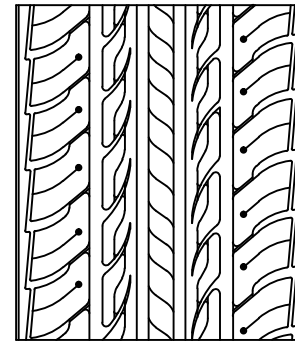
TIRE SIZE 185/65R15 88H



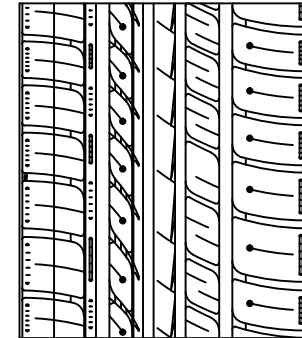
COLO H01; L-GRIP66; LY168; ECOGREEN 66; VENUSATR 66; PREMIO ARZ1; ECOLOGY; INSPIRER C4; THREE; ROCK 515	SKID DEPTH 8.0
--	----------------------



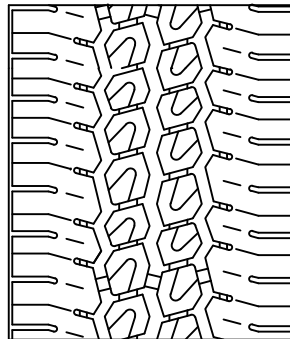
LY166; INSPIRER E2; L-GRIP16; Enduring; ECOGREEN 16; PREMIO ARZ2; E01; ECO155; ECOLOGY; TWO; POLARIS 16; ROCK 666	SKID DEPTH 8.0
--	----------------------



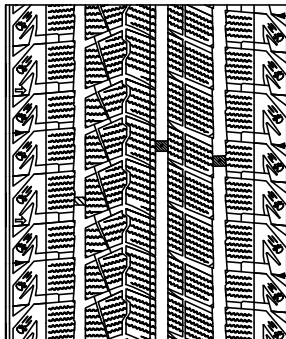
LY688; L-COMFORT68; Cruise; ANTARES 68; SAFEGWAY 68; FASTWAY; COMFORT355; INSPIRER C2; E02; ROCK 688	SKID DEPTH 8.0
---	----------------------



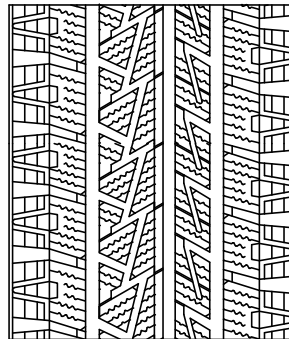
LY266; L-SPORT26; UHP255; INSPIRER S2	SKID DEPTH 8.0
---	----------------------



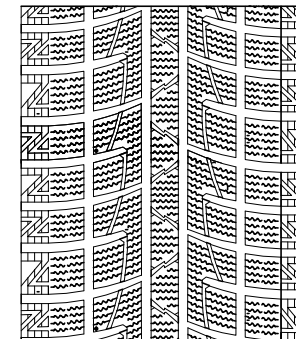
LY288; L-POWER28; E33; CITYMAX; DURAMAX 28; Strength; INSPIRER L6; TRANSITO ARZ6-M; ROCK 818; GTR501; RACINGMAX 28	SKID DEPTH 7.5
---	----------------------



Winter GL868; Winter IL868; LY668; ICEPOWER 868; ICEWINNER 868; WINMASTER ARW2; ROCK 868S	SKID DEPTH 8.0
---	----------------------



LY966; ICEWINNER 96; L-SNOW96; ROCK 616S; ICEPOWER 96; E917; WINMASTER ARW1; SNOWFORCE; INSPIRER W2	SKID DEPTH 9.0
---	----------------------



LY968; L-SNOW98; WINMASTER ARW4; INSPIRER W6; ICEPOWER 98; ICEWINNER 98; ROCK 918S;	SKID DEPTH 9.0
---	----------------------



DRAWN BY Wang Tong CHECKED BY Wangshilun APPROVED BY Shen Maoqiao

SHANDONG LONGYUE RUBBER TYRE CO.,LTD.

Type : 185/65R15  
Manufacturer : Shandong Longyue Rubber Co., Ltd.

---

## TEST REPORT

according to UN-Regulation

### Uniform provisions concerning the approval of pneumatic tyres for motor vehicles and their trailers

#### UN Regulation No. 30

including all amendments until

Amend.02, Suppl. 20

---

Approval Status

UN approval : E4-30R-0297202 Ext.01

---

Structure of the Test Report

Item No.

0. General information
  1. Tested vehicle(s) / object(s)
  2. Test record
  3. List of appendices
  4. Statement of conformity
- 

The Test Report shall be reproduced and published in full by the client only. It shall however be reproduced partially with the written permission of the Testing Laboratory only.



Type : 185/65R15  
 Manufacturer : Shandong Longyue Rubber Co., Ltd.

## 0. General Information

- 0.1. Make (trade name of the manufacturer) : Shandong Longyue Rubber Co., Ltd.  
 0.2. Type : 185/65R15  
 0.3. Category of vehicle : Not applicable  
 0.4. Name and address of the manufacturer : Shandong Longyue Rubber Co., Ltd.  
 The South of Yalujiang Road, Wenzhuang Village  
 Qinghe Agency of Cao County,  
 Heze city, Shandong Province, 274400China(PROC)  
 0.5. No. of the information folder : Not applicable  
 -Date of issue : September 20, 2016  
 -Date of last change : Sep 15, 2018

## 1. Tested ~~vehicle(s)~~ / ~~object(s)~~

- 1.1 Description  
 1.1.1. ~~Vehicle~~ / object  
 Commercial description : Not applicable  
 Type(s) / ~~variant(s)~~ / ~~version(s)~~ : 185/65R15  
 Identification number : See Appendix 1  
 1.1.2. Condition of ~~vehicle(s)~~/Object(s) : New / ~~used~~ / ~~pretested~~  
 1.2. Worst case selection : The determination of the worst case was done according to internal procedures of the Technical Service (QMA 1.301.005, section 6.2.2.2.).  
 1.3. Remarks : Not applicable





Type : 185/65R15  
 Manufacturer : Shandong Longyue Rubber Co., Ltd.

---

## 2. Test record

- 2.1. Equipment for measuring and testing : The test facilities / measurement equipment used were in compliance with the test requirements
- 2.1.1. Specifications for the test site : Not applicable
- 2.1.2. Subcontracting : Not applicable
- 2.2. Test results : See Appendix 1
- 2.2.1. Test results referring to measurements : Pass / ~~Fail~~
- 2.2.2. Attributive tests : Not applicable
- 2.2.3. Alternative test provisions : Not applicable
- Remarks concerning extension : The type has been tested according to the ~~modification(s) mentioned in appendix 0.~~  
 The new parts meet the requirements of the regulation.  
 An actual practical test of the type was not necessary.  
 The results of the previous test(s) are still valid.
- 2.3. Additional information : The results of the test refer exclusively to the object(s) mentioned under point 1. of this report.
- Test site : Shandong Longyue Rubber Co., Ltd.  
 The South of Yalujiang Road, Wenzhuang Village  
 Qinghe Agency of Cao County,  
 Heze city, Shandong Province, 274400  
 China(PROC)
- Test date : September 19 ~ 20, 2016
- 2.4. Remarks : Not applicable



Type : 185/65R15  
Manufacturer : Shandong Longyue Rubber Co., Ltd.

---

### 3. List of Appendices

Appendix 0 : List of modifications  
Appendix 1 : Test minutes

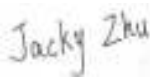
### 4. Statement of conformity

The in point 0.5. mentioned information folder and the type described in that comply with the requirements mentioned on page 1.

With regard to the required level of performance to be achieved, the tested items were representative for the type to be approved (see point 1.2).

The mentioned test results refer to the vehicle(s)/object(s) described under point 1.1 of this report.

Engineering Centre Shanghai, / November 16, 2018  
JZ



Jacky Zhu  
Expert Technical Service



Type : 185/65R15  
Manufacturer : Shandong Longyue Rubber Co., Ltd.

---

**List of modifications**

**Appendix 0**

Correction of : ---

Modification of : ---

Addition of : Trade marks and trade descriptions

Deletion of : Trade marks and trade descriptions



Type : 185/65R15  
 Manufacturer : Shandong Longyue Rubber Co., Ltd.

Test minutes

Appendix 1

1. Test data

1.1. Test object(s) markings

- 1.1.1 Trade name or mark : GRENLANDER
- 1.1.2 Tyre type designation : COLO H01
- 1.1.3 Plies of Tread / Sidewall : 1 POLYESTER + 2 STEEL + 1 NYLON / 1 POLYESTER
- 1.1.4 Tyre size designation : 185/65R15
- 1.1.5 Category of use : Snow  
 Indication of category of use : word "M+S"
- 1.1.6 Structure : Radial  
 Indication / symbol of structure : Word "RADIAL", letter "R" in front of rim diameter marking
- 1.1.7 Speed category : H
- 1.1.8 Load-Capacity Indices(L.I.) : 88
- 1.1.9 Word in case of without inner tube : Word "TUBELESS"
- 1.1.10 Word in case of reinforced tyre : Not applicable(standard tyre)
- 1.1.11 Date of manufacture : 2416

1.2. Dimension measurement according to Annex 6

- 1.2.1 Measuring rim : 5.50J x 15
- 1.2.2 Inflation pressure after mounting on measuring rim : 3.0 bar
- 1.2.3 Inflation pressure adjusted before conditioning : 1.8 bar
- 1.2.4 Conditioning of tyre : More than 24 hours
- 1.2.5 Inflation pressure readjusted after conditioning : 1.8 bar
- 1.2.6 Overall width at six equally spaced points : Height of six equally spaced tread wear indicators
 

1.	191.9 mm	4.	192.2 mm	1.	1.74 mm	4.	1.72 mm
2.	191.7 mm	5.	192.1 mm	2.	1.73 mm	5.	1.85 mm
3.	191.8 mm	6.	192.0 mm	3.	1.72 mm	6.	1.89 mm
Max.:	192.2 mm						
- 1.2.7 Circumference : 1950 mm
- 1.2.8 Outer diameter : 620.7 mm



Type : 185/65R15  
 Manufacturer : Shandong Longyue Rubber Co., Ltd.

1.2.9 Tread depth / void to fill ratio in case of special use tyre : Not applicable

**1.3. Load/speed performance test according to Annex 7**

1.3.1 Test machine : GX-YLSN(1CS)-1112

1.3.2 Diameter of test drum : 1.707 m

1.3.3 Test rim : 5.50J x 15

1.3.4 Inflation pressure adjusted before conditioning : 2.8 bar

1.3.5 Conditioning of tyre : More than 3 hours

1.3.6 Test-room temperature : 28.0°C - 35.0°C

1.3.7 Inflation pressure readjusted after conditioning : 2.8 bar

1.3.8 Circumference after conditioning, before testing : 1955 mm

1.3.9 Outer diameter after conditioning, before testing : 622.3 mm

1.3.10 Test load (80% ) : 448 kg

Step	Step-Duration [min]	Total Duration [min]	Actual speed (km/h)
1.	10	10	0 – 170
2.	10	20	170
3.	10	30	180
4.	10	40	190
5.	20	60	200

1.3.11 Conditioning after testing : More than 6 hours

1.3.12 Circumference after conditioning, after testing : 1963 mm

1.3.13 Outer diameter after conditioning, after testing : 624.8 mm

1.3.14 Difference outer diameter before and after testing (max. 3.5 %) : 2.5 mm  
 : 0.40 %

1.3.15 Inspection after test : The tyre does not exhibit tread separation, ply separation, cord separation, chunking or broken cords.

Remark : **Refer to report No.:86-R30-3595/17-00**  
**Corresponding to type approval No.:**  
**E4-30R-0297202 Ext.01**

