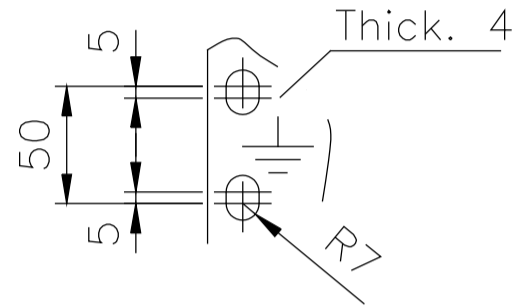
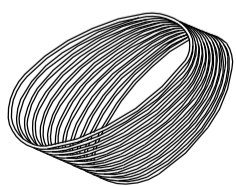
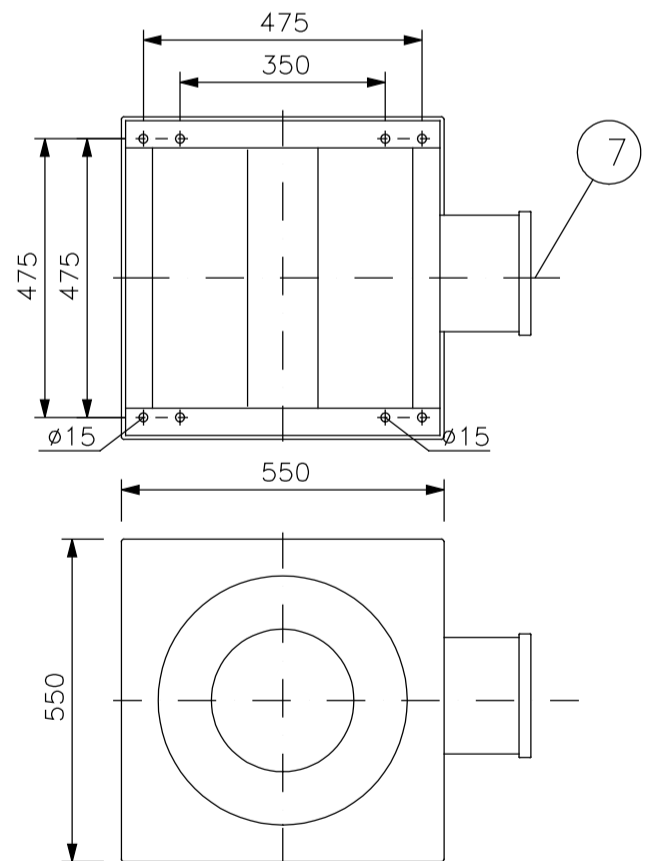


3. Earthing Terminal



Item	Description
1	Oil Level indicator
2	Primary Terminal cylindrical (Aluminium)
3	Earthing Terminal
4	Secondary Terminal block
5	Elevation eyebolt
6	Oil sampling valve
7	Rating Plate



arteche

Dimensiones aproximadas en m.m.  
Approximate dimensions in m.m.

PESO	ACEITE-OIL	85 kg
WEIGHT	TOTAL	300 kg

TRANSFORMADOR DE TENSION UTD-123  
POTENTIAL TRANSFORMER

Fecha 28/10/2020 Comprobado JRG

Dibujo número 4289338