

## DS-3E0318P-E/M(B)

### 16-Port 100 Mbps Long-Range Unmanaged PoE Switch

DS-3E0318P-E/M(B) switch is a layer 2 long-range PoE switch, providing 16 × 100 Mbps PoE ports, 1 × 1000 Mbps RJ45 port, and 1 × 1000 Mbps SFP fiber optical port. The switch provides advanced PoE technology and supports extend mode with long-range access up to 300 m. The prior and stable transmission of the important surveillance area videos can also be guaranteed when connected to the high priority ports. The switch is reliable, easy to install and maintain, and equipped with rapid switching functions. With multiple access ports, it is applicable for access or aggregation and upload of small-scale LAN devices.



Intelligent PoE 300 m Transmission 8-Core Power Supply 6 KV Surge Protection High Priority Ports

## Feature and Function

### Intelligent PoE Management.

- When the power supply exceeds the limit, PoE ports intelligently manage the power supply, which extends the switch lifetime.

### Up to 300 m Long Range PoE Transmission.

- The distance between IPCs and switch can reach maximum 300 meters.

### 4/8-Core Adaptive Power Supply with Less Power Loss.

- 8-core power supply reduces the power loss on cables.

### 6KV Surge Protection to Improve Reliability in Harsh Environment.

- The built-in surge protection device protects the switch from the sudden lightning surge in harsh environment.

### Design for Video Transmission.

- VIP port ensures important data transmission when network congestion occurs.

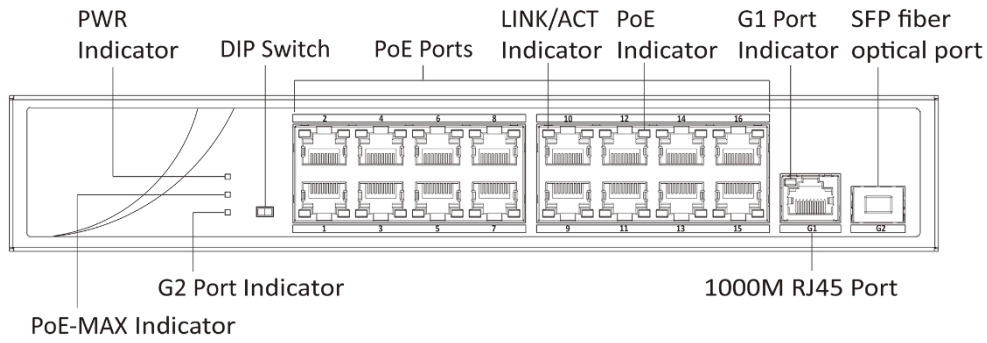


## Specification

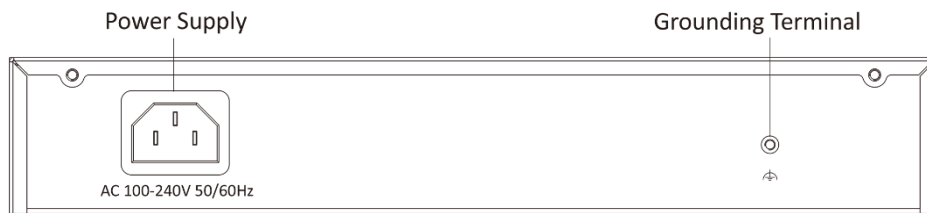
Model		DS-3E0318P-E/M(B)
Network parameters	Port number	16 × 100 Mbps PoE ports, 1 × 1000 Mbps RJ45 port, and 1 × 1000 Mbps SFP fiber optical port
	Port type	RJ45 port, full duplex, MDI/MDI-X adaptive
	Standard	IEEE 802.3, IEEE 802.3u, IEEE 802.3x
	Forwarding mode	Store-and-forward switching
	Working mode	Standard mode (default); Extend mode
	High priority ports	Ports 1 to 8
	Ports for long-distance transmission	Ports 9 to 16
	MAC address table	4 K
	Switching capacity	7.2 Gbps
	Packet forwarding rate	5.356 Mpps
	Internal cache	2.75 Mbits
	PoE power supply	PoE standard
PoE power pin		1-16 support 8-core power supply, Ethernet cable 1/2/3/6 and 4/5/7/8 provide simultaneous power supply.
PoE port		Ports 1 to 16
Max. port power		30 W
PoE power budget		130 W
Max. power consumption		150 W
General	Shell	Metal material
	Gross weight	2.58 kg (5.69 lb)
	Net weight	1.8 kg (4.0 lb)
	Dimension (L × H × D)	266 mm × 44.5 mm × 220.8 mm (10.5" × 1.8" × 8.7")
	Operating temperature	-10 °C to 55 °C (14 °F to 131 °F)
	Storage temperature	-40 °C to 85 °C (-40 °F to 185 °F)
	Operating humidity	5% to 95% (no condensation)
	Storage humidity	5% to 95% (no condensation)
	Power supply	100 to 240 VAC, 50/60 Hz, Max. 2.5 A
	Power consumption in idle	20 W
Approval	EMC	FCC (47 CFR Part 15, Subpart B); CE-EMC (EN 55032: 2015, EN 61000-3-2: 2014, EN 61000-3-3: 2013, EN 55024: 2010 +A1: 2015); RCM (AS/NZS CISPR 32: 2015); IC (ICES-003: Issue 6, 2016)
	Safety	UL (UL 60950-1); CB (IEC 60950-1:2005 + Am 1:2009 + Am 2:2013); CE-LVD (EN 60950-1:2005 + Am 1:2009 + Am 2:2013)
	Chemistry	CE-RoHS (2011/65/EU); WEEE (2012/19/EU); Reach (Regulation (EC) No 1907/2006)

## Physical Interface

Front panel:



Back panel:



## Available Model

- DS-3E0318P-E/M(B)

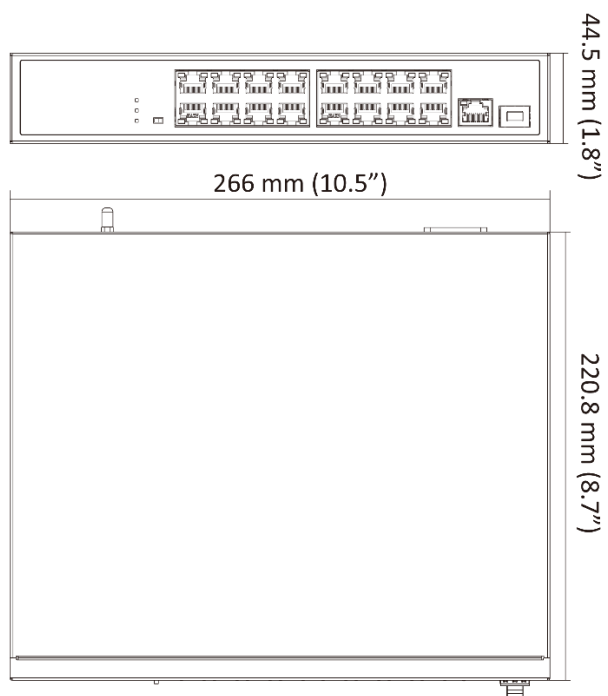
## Optional Accessory

SFP Module	Fiber type	Connector	Date Rate	Wavelength	Distance
HK-SFP-1.25G-20-1310	Single fiber, Single-mode	LC	1250 Mbps	Tx1310nm/Rx1550nm	0 to 20 km
HK-SFP-1.25G-20-1550	Single fiber, Single-mode	LC	1250 Mbps	Tx1550nm/Rx1310nm	0 to 20 km
HK-SFP-1.25G-1310-DF-MM	Duplex fiber, Multi-mode	LC	1250 Mbps	Tx1310nm/Rx1310nm	0 to 1 km
HK-SFP-1.25G-20-1310-DF	Duplex fiber, Single-mode	LC	1250 Mbps	Tx1310nm/Rx1310nm	0 to 20 km

### NOTE

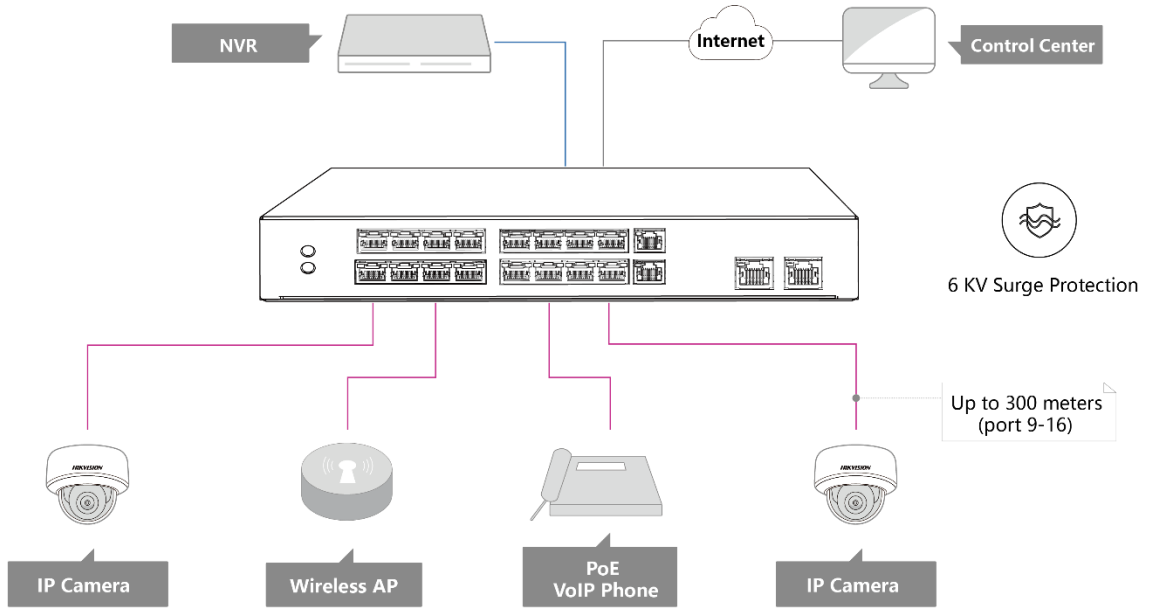
HK-SFP-1.25G-20-1310 has to work with HK-SFP-1.25G-20-1550 as a pair.

**Dimension (unit: mm)**

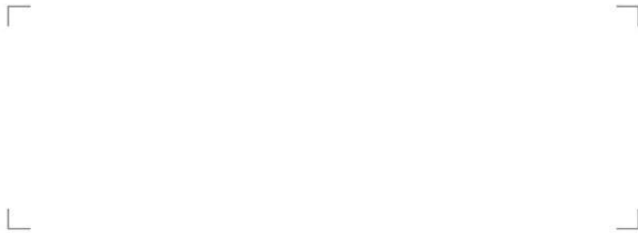


## Typical Application

- Data
- Power+Data(PoE)
- Optical Fiber



Distributed by



## HIKVISION®

### Headquarters

No.555 Qianmo Road, Binjiang District,  
Hangzhou 310051, China  
T +86-571-8807-5998  
overseasbusiness@hikvision.com

**Hikvision USA**  
T +1-909-895-0400  
sales.usa@hikvision.com

**Hikvision Australia**  
T +61-2-8599-4233  
salesau@hikvision.com

**Hikvision India**  
T +91-22-28469900  
sales@pramahikvision.com

**Hikvision Canada**  
T +1-866-200-6690  
sales.canada@hikvision.com

**Hikvision Thailand**  
T +662-275-9949  
sales.thailand@hikvision.com

**Hikvision Europe**  
T +31-23-5542770  
sales.eu@hikvision.com

**Hikvision Italy**  
T +39-0438-6902  
info.it@hikvision.com

**Hikvision Brazil**  
T +55 11 3318-0050  
Latam.support@hikvision.com

**Hikvision Turkey**  
T +90 (216)521 7070- 7074  
sales.tr@hikvision.com

**Hikvision Malaysia**  
T +601-7652-2413  
sales.my@hikvision.com

**Hikvision UK & Ireland**  
T +01628-902140  
sales.uk@hikvision.com

**Hikvision South Africa**  
Tel: +27 (10) 0351172  
sale.africa@hikvision.com

**Hikvision France**  
T +33(0)1-85-330-450  
info.fr@hikvision.com

**Hikvision Kazakhstan**  
T +7-727-9730667  
nikia.panfilov@hikvision.ru

**Hikvision Vietnam**  
T +84-974270888  
sales.vt@hikvision.com

**Hikvision UAE**  
T +971-4-4432090  
salesme@hikvision.com

**Hikvision Singapore**  
T +65-6684-4718  
sg@hikvision.com

**Hikvision Spain**  
T +34-91-737-16-55  
info.es@hikvision.com

**Hikvision Tashkent**  
T +99-87-1238-9438  
uzb@hikvision.ru

**Hikvision Hong Kong**  
T +852-2151-1761  
info.hk@hikvision.com

**Hikvision Russia**  
T +7-495-669-67-99  
saleru@hikvision.com

**Hikvision Korea**  
T +82-(0)31-731-8817  
sales.korea@hikvision.com

**Hikvision Poland**  
T +48-22-460-01-50  
info.pl@hikvision.com

**Hikvision Indonesia**  
T +62-21-2933759  
Sales.Indonesia@hikvision.com

**Hikvision Colombia**  
sales.colombia@hikvision.com