

Surgical lights of Model 1160CR, 1160C, 2160CR, 2160C, 3160CR, 3160C Series are used in operation rooms (OR) / treatment rooms to assist medical staff by illuminating a certain area or a point on the patient in treatment and diagnosis procedures. Surgical lamp system consists of configuration of multiple surgical lightheads (single, double or triple).



Technical Features

Type of mounting : Ceiling

Ceiling suspension: Central Ceiling Joint

Horizontal rotating arm:

For all models; rotates 360°

Model 1160CR : 725 mm. length

Model 1160C : 725 mm. length

Model 2160CR : 725 / 875 mm. length

Model 2160C : 725 / 875 mm. length

Model 3160CR : 565 / 725 / 875 mm. length

Model 3160C : 565 / 725 / 875 mm. length

Spring arm:

Model 160CR / 1160C / 2160CR / 2160C / 3160CR / 3160C : 360° rotating, 910 mm length, 50° downwards, 45° upwards, 1180 mm movement distance.

Light movement diameter :

Model 1160CR : 3270 mm.

Model 1160C : 3270 mm.

Model 2160CR : 3270 - 3570 mm.

Model 2160C : 3270 - 3570 mm.

Model 3160CR : 2950 - 3270 - 3570 mm.

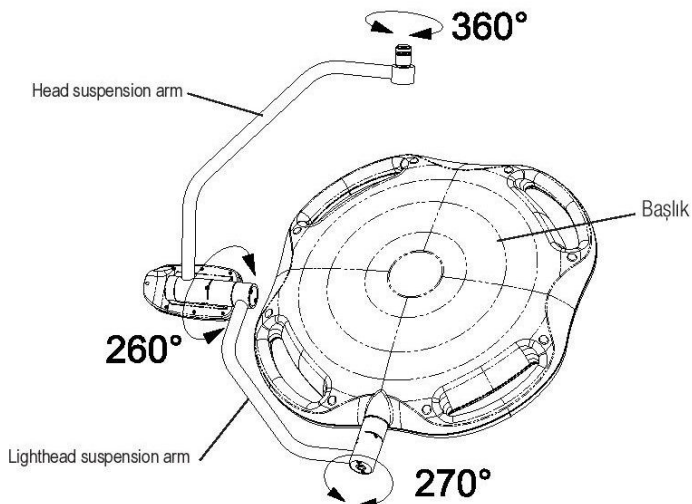
Model 3160C : 2950 - 3270 - 3570 mm.

Head suspension arm :

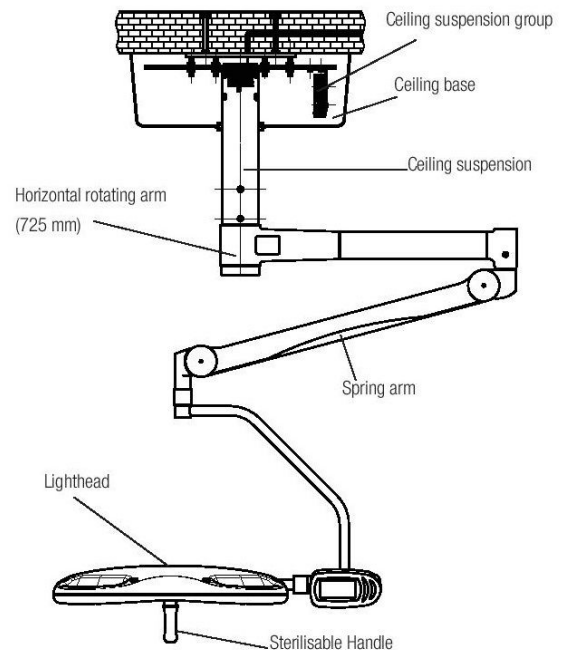
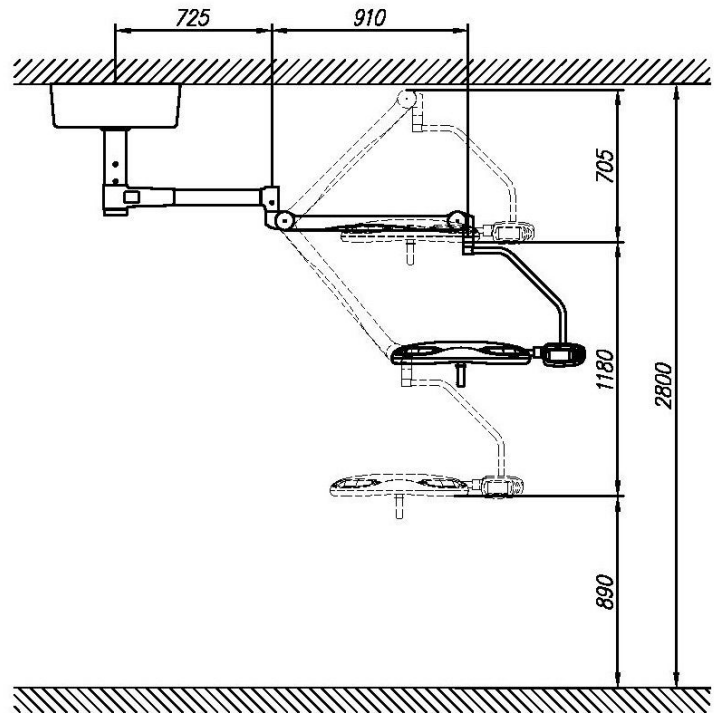
Model 1160CR / 1160C / 2160CR / 2160C / 3160CR / 3160C : 360° rotating

Lighthead suspension arm: All models rotate 260°

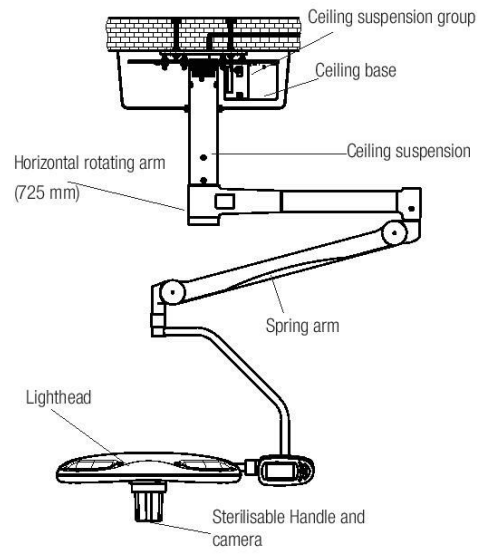
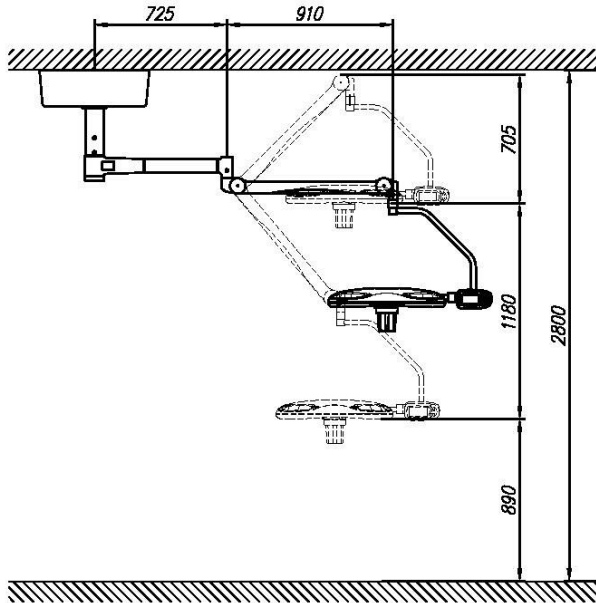
Head: All models rotate 270°



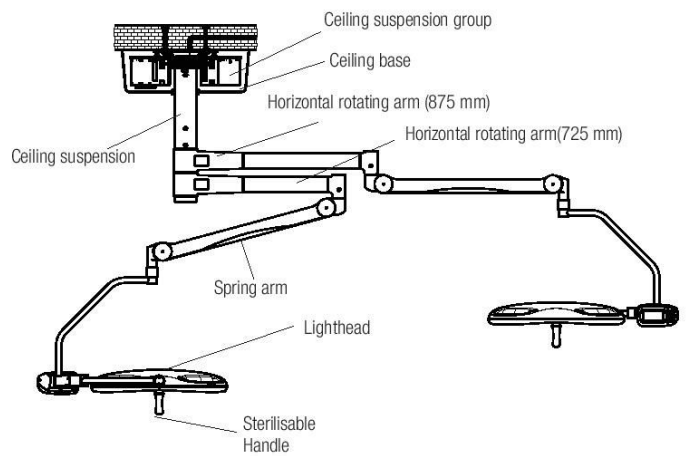
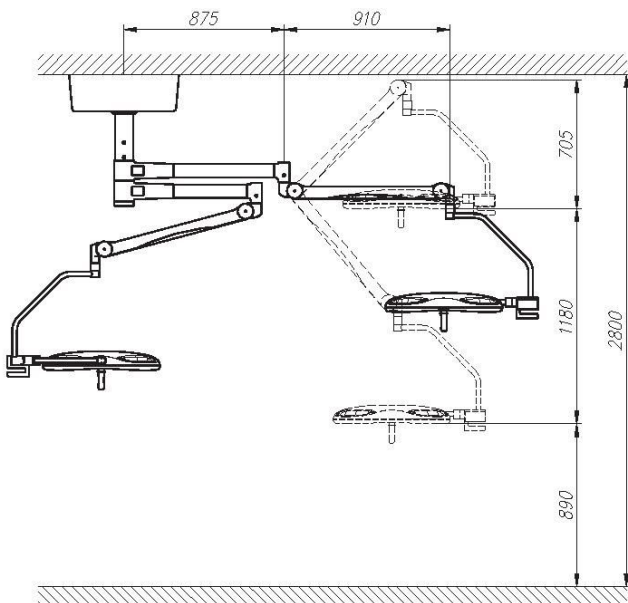
Model 1160CR Surgical Light



Model 1160C Surgical Light



Model 2160CR Surgical Light



Model 2160C Surgical Light

