

---

## LTL45A Wheel Asphalt Paver



Zhenjiang Aran Machinery Co., Ltd. is a professional manufacturing company for road machinery. It focuses on the research and development of road machinery products for more than 30 years, and has accumulated rich experience in the design and manufacture of road machinery. The company has strong technical force, exquisite manufacturing process, and rich management experience. On the basis of inheriting the technology of the original Zhenjiang road machinery products, the company has further developed and continuously improved product performance and quality. The company adhering to the "all for the sake of users," the purpose, according to user needs to provide customized equipment services. Based on advanced foreign technology, combined with the actual conditions of domestic road construction, the company has continuously improved and perfected its product design, and has formed a series of paver and mixing equipment product groups, as well as the ability to develop new types of mechanical products. With its leading technology and innovative spirit, reliable quality and service guarantee, the company markets its products worldwide. In China, Africa, Eastern Europe, India, Latin America, the Middle East, Russia, and Southeast Asia, Zhenjiang Allen builds a beautiful future for every corner of the globe.

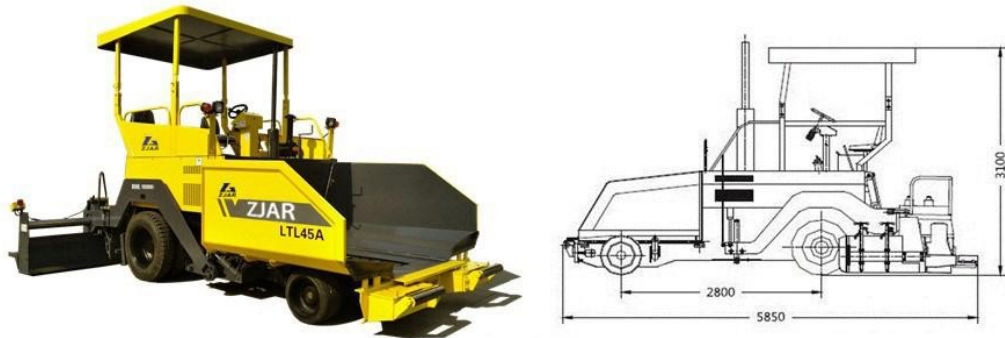
---

## Performance Characteristics:

With more than 30 years of innovation and development, wheel asphalt pavers reaches international advanced level based on technology transferred from abroad. The machine is used to pave asphalt for highway, urban road, plaza, and parking lots etc. It is the ideal machine for road construction.

The machine is equipped with hydraulic extension dual-layer screed and automatic leveling unit and can achieve good roads flatness and high density. The wearable parts are made from advanced wear resistance material to ensure durability.

- Advanced design & optimized configuration, operable for paving graded roads' surface.
- China made brand engine, powerful, low fuel consumption, low noise and high reliability and cold-starting.
- Independent feeding drive at LH & RH, removable and high-wearable auger blade for easy replacement.
- High-accuracy auto. Leveling sensors ensure mat's surface flatness.
- Unique dual-layer and stepless-extension screed changes paving width easily, screed bottom plate uses international advanced wearable material.
- Centralized lubrication system, charging lubricating grease to all high temperature bearings for machine reliability.
- Fuel-electrodynamic cleaning system supplies convenient operation.
- Electrical system has advanced progress technology, all controlled elements and wirings are numbered as per circuit diagram for fast trouble shooting.



LTL45A 型轮胎式沥青摊铺机 Wheel Asphalt Paver

## Specifications:

Description	Unit	LTL45A
Paving width	mm	2500-4500
Paving thickness	mm	10-250
Paving speed	mm/min	3.31-9.87
Travelling speed	km/h	2.52-18.41
Theoretical productivity	t/h	220
Engine model & power	kw	Cummins, 60kW *
Auger diameter	mm	340
Drive system		mechanical / hydraulic
Track shoe width	mm	wheel type
Machine weight	kg	10000
Screed extension model		hydraulic extension
Screed heating model		Far infrared heating, automatic ignition**
Screed vibration frequency	Hz	0-50
Auto. leveling unit		made in China
Hopper capacity	t	10
Fuel tank volume	t	118
Hydraulic tank volume	L	110
Centralized lubrication		made in China







中国筑养路机械制造基地（中小型压路机）



骏马重工（集团）  
江苏骏马压路机械有限公司

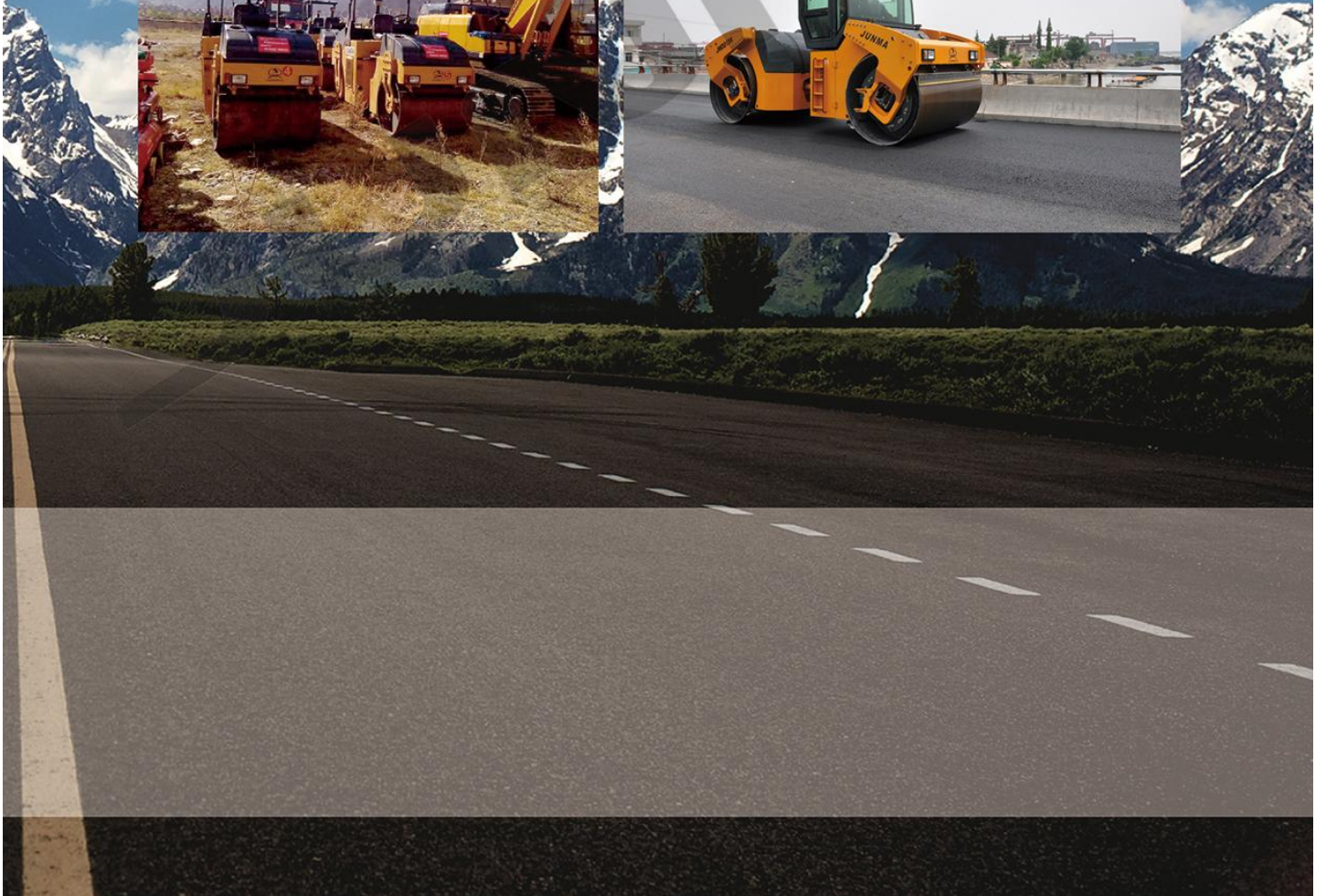
## Technical Data

Product mode	JM7080
Operating weight	8000 kg
Linear pressure	323 N/cm
Rolling width	1450 mm
Rolling diameter (steering drum) (drive drum)	1060 mm 1100 mm
Wheel base	2960 mm
Traveling speed	
range I	2.2 km/h
range II	4.4 km/h
range III	7.5 km/h
Minimum steering radius	<6500 mm
Climbing capacity	20%
Ground clearance	270
Nominal amplitude	0.45 mm
Vibration frequency	38 Hz
Exciting force	85 kN
Diesel engine	
Engine model	A498BG
Rated power	42 kw
Rated rotate	2000 r/min
Dimension (L*W*H)	4430×1800×2550 mm





**A** PRODUCT APPLICATIONS  
产品应用





**WSF**  
世标认证

**COPY**

# CERTIFICATE OF REGISTRATION

Registration No. 03824Q07652R2M  
Unified Social Credit Code:913212827241571187

This is to certify that the Quality Management System of

**Jiangsu Junma Road Roller Co., Ltd.**

Audit Address: No.288 Jijiang West Road, Jingjiang, Jiangsu/  
Registered Address: No.288 Jijiang West Road, Jingjiang, China

has been audited to conform to

**GB/T 19001-2016/ISO 9001:2015**

For the whole process of

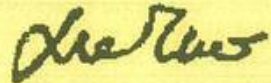
**design and production of road rollers**

Date of Initial Issuance: 2018-09-12

Date of Issuance:2024-08-05 Date of Expiry: 2027-09-11

This certificate will not remain valid only if the certified organization accepts at least one surveillance audit annually within the validity period of the certificate in which the surveillance audit conforming mark is in the designated position. Please follow WSF customer service by scanning QR code or visit [www.wsf.cn](http://www.wsf.cn) and [www.cnca.gov.cn](http://www.cnca.gov.cn) for this certificate's validity status and related services.

World Standards For Certification Center Inc.

Issued by: 

Add: Level 2, Building 25, Yard 12, Zhuyuan Road (Huanzhu Comprehensive Bonded Zone), Shunyi District, Beijing 101312, China

**WSF**  
ISO9001



中国认可  
国际互认  
管理体系  
MANAGEMENT SYSTEM  
CNAS C038-M







**WSF**  
世标认证

**COPY**

# CERTIFICATE OF REGISTRATION

Registration No. 03824E07654R3M  
Unified Social Credit Code: 913212827241571187

This is to certify that the Environmental Management System of

**Jiangsu Junma Road Roller Co., Ltd.**

Audit Address: No.288 Jijiang West Road, Jingjiang, Jiangsu/  
Registered Address: No.288 Jijiang West Road, Jingjiang, China

has been audited to conform to

**GB/T 24001-2016/ISO 14001:2015**

For the whole process of

**related environmental management activities  
involved in design and production of road rollers**

Date of Initial Issuance: 2015-08-07

Date of Issuance: 2024-08-05 Date of Expiry: 2027-08-06

This certificate will not remain valid only if the certified organization accepts at least one surveillance audit annually within the validity period of the certificate in which the surveillance audit conforming mark is in the designated position. Please follow Wsf customer service by scanning QR code or visit [www.wsf.cn](http://www.wsf.cn) and [www.cnca.gov.cn](http://www.cnca.gov.cn) for this certificate's validity status and related services.

World Standards For Certification Center Inc.

Issued by:

Add: Level 2, Building 25, Yard 12, Zhuyuan Road (Hanzhu Comprehensive Bonded Zone), Shuang District, Beijing 101112, China

**WSF**  
ISO14001



中国认可  
国际互认  
管理体系  
MANAGEMENT SYSTEM  
CNAS C038-M





# CERTIFICATE OF REGISTRATION

Registration No.03822S08481R1M  
Organization Code/Unified Social Credit Code:  
913212827241571187

This is to certify that the Occupational Health and Safety Management System of

## Jiangsu Junma Road Roller Co., Ltd.

Audit Address: No.288 Jijiang West Road, Jingjiang, Jiangsu/  
Registered Address: No.288 Jijiang West Road, Jingjiang, China

has been audited to conform to

**GB/T45001-2020/ISO45001:2018**

For the whole process of

**related occupational health & safety management  
activities involved in design and production of road rollers**

Date of Initial Issuance:2019-9-23

Date of Issuance:2022-9-15 Date of Expiry:2025-9-22

This certificate will not remain valid only if the certified organization accepts at least one surveillance audit annually within the validity period of the certificate in which the surveillance audit conforming mark is in the designated position. Please follow WSF customer service by scanning QR code or visit [www.wsf.cn](http://www.wsf.cn) and [www.cnca.gov.cn](http://www.cnca.gov.cn) for this certificate's validity status and related services.

World Standards For Certification Center Inc.

Issued by: *[Signature]*

Add: Level 2, Building 25, Yard 12, Zhuyuan Road Tianzhu Comprehensive Bonded Zone), Shunde District, Foshan City, Guangdong Province, China



中国认可  
国际互认  
管理体系  
MANAGEMENT SYSTEM  
CNAS C038-M

