



THE NETHERLANDS  
(N E D E R L A N D)



COMMUNICATION

Concerning <sup>(1)</sup>:

- approval granted
- ~~approval extended~~
- ~~approval refused~~
- ~~approval withdrawn~~
- ~~production definitely discontinued~~

of a type of pneumatic tyre for motor vehicles pursuant to Regulation number 30.

Approval number: E4-30R-0268068

Extension number: 00

Approval mark:

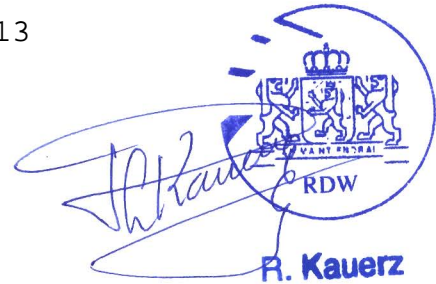


0268068



1. Manufacturer's name or trade mark(s) on the tyre type : DUNLOP
2. Tyre type designation by the manufacturer : WINTER RESPONSE 2
3. Manufacturer's name and address : GOODYEAR DUNLOP Tires Germany GmbH  
Dunlopstr.2  
D-63450 Hanau
4. If applicable, name and address of the manufacturer's representative : GOODYEAR DUNLOP Tires Nederland B.V.  
Merwedeweg 4c  
NL 3621 Breukelen
5. Summarised description :
- 5.1. Tyre size designation : 195/65 R 15
- 5.2. Category of use : ~~normal~~/snow/~~temporary use~~<sup>(1)</sup>

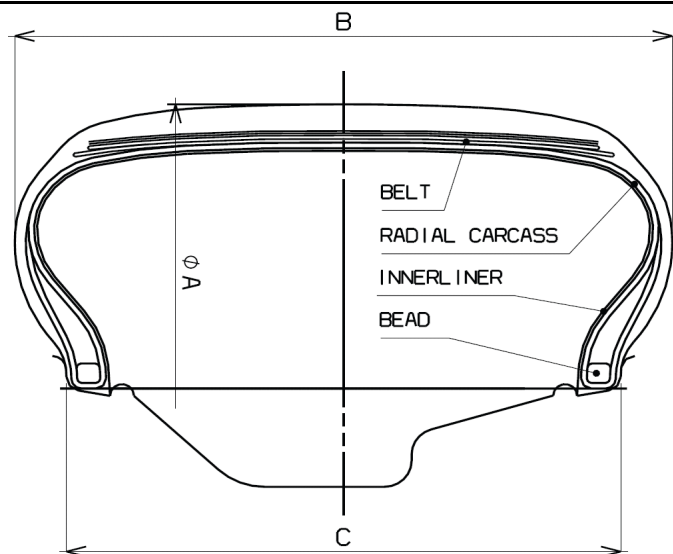
- 5.3. Structure : ~~diagonal/bias belted~~/radial <sup>(1)</sup>
- 5.4. Speed category symbol : T
- 5.5. Load-capacity index : 95
6. Technical service and, where applicable, test laboratory approved for purposes of approval or of verification of conformity : RDW  
P.O. Box 777  
2700 AT Zoetermeer  
: The Netherlands
7. Date of report issued by that service : 30 January 2013
8. Number of report issued by that service : 1820
9. Reason(s) of extension (if applicable) : Not applicable
10. Any remarks : Marked as "Extra Load"
11. Approval : granted/~~extended/refused/withdrawn~~ <sup>(1)</sup>
12. Place : Zoetermeer
13. Date : 12-MAR-2013
14. Signature :



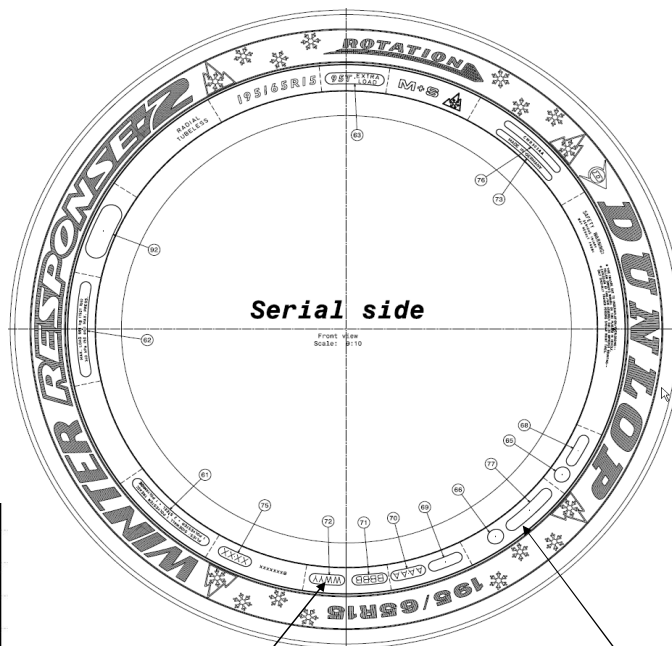
15. The list of documents in the approval file which are deposited at the administrative service having delivered the approval and which can be obtained upon request.
- Application form relating to ECE approval for a pneumatic tyre pursuant to Regulation number 30.
  - The drawing of the tyre's sidewalls, tread and dimensioned cross-section.
  - The test report as mentioned in item 8.

---

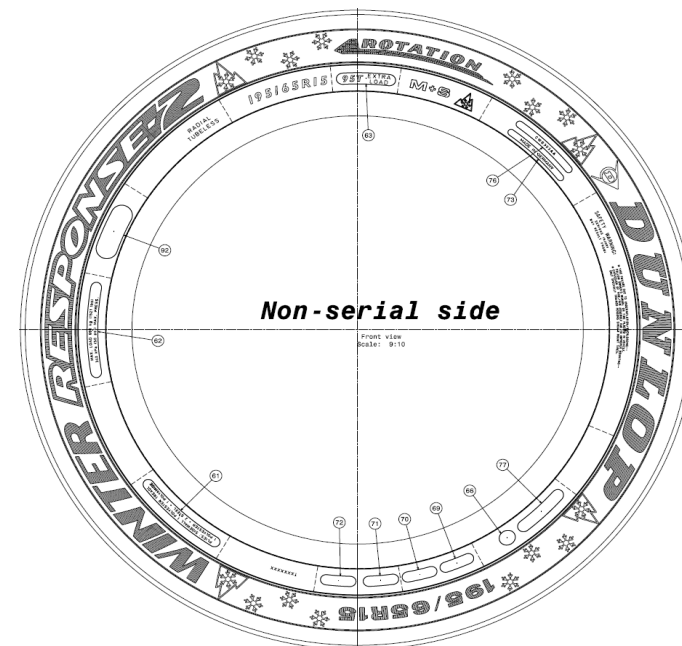
<sup>(1)</sup> Strike out what does not apply.



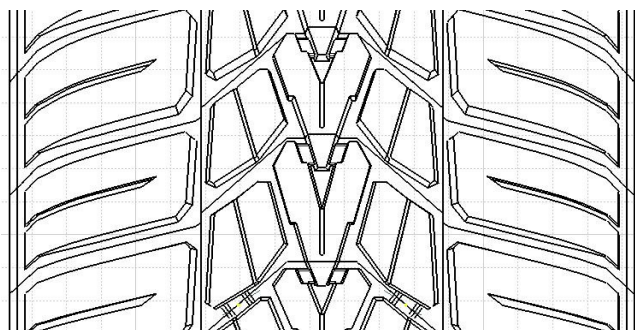
PROJECTION



Serial side



Non-serial side



1. SIDEWALL  
DATE CODE

APPROVAL NUMBER

2. SIDEWALL

195/65 R 15	95	T		X		X	635	201	6.0	Reinforced or Extra Load
TYRE SIZE	LOAD INDEX	SPEED SYMBOL	ROAD	SNOW	TT	TL	A (MM)	B (MM)	C (IN)	REMARKS

TREAD PATTERN	PLIES	TREAD AREA:	Polyester Steel Polyamide
WINTER RESPONSE 2		SIDEWALL:	Polyester

TYRE APPLICATION PURSUANT TO EEC	DUNLOP Hanau	DATE	28.02.2013	Name	A. Säuberlich	DRAWING NO.	EA1820
----------------------------------	--------------	------	------------	------	---------------	-------------	--------